

TECHNICAL SPECIFICATION

Rotary switches LW26-SD series



Description:

The rotary switches LW26 series are produced for switching on/off electrical circuits with commutated current from 20 to 160A. They are designed on the bases of the rotor-eccentric switching on which is realized through turning of the handle to 60 or 90 degrees. The normal operation is used for commutation of two, three or four conductor systems. There are special rotary switches that switch on under given connection schemes and are used to control motors, electric welding machines and other consumers.

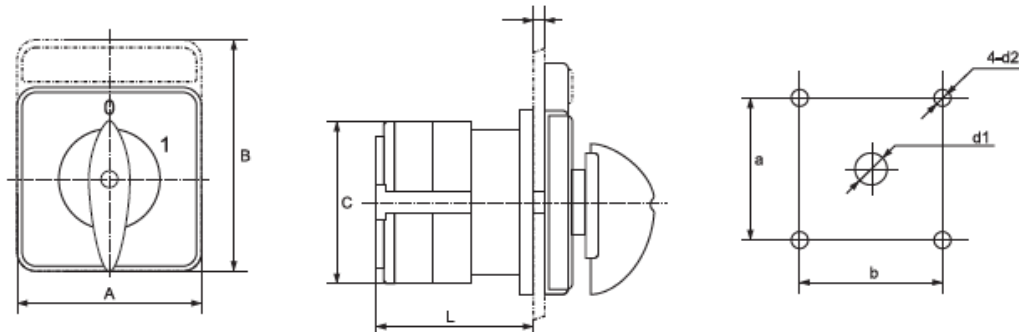
Technical data:

- Power supply voltage: 230/400V, 50Hz
- Number of levels: 4
- Number of positions: 3
- Insulation voltage: 690V
- Impulse voltage withstand: 6000V
- Mechanical wear resistance: 3×10^5 commutation cycles
- Operating temperature: $-10^{\circ}\text{C} \div +50^{\circ}\text{C}$
- Humidity: 35-85%RH
- Commutation capacity: 25-63 A
- Resistant to UV rays plastic
- Cable connection: screw joining
- Maximum section of the power supply conductors: 16.0 mm²

Mounting:

- directly to the control panel
- thickness of the surface to which it is mounted: max 5mm

Dimensions:

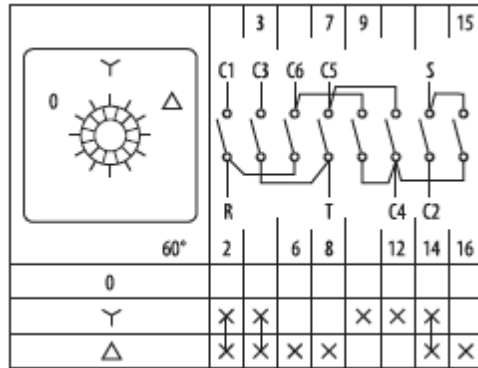


| Type | Front panel | Joining conductor (mm ²) | Overall dimensions (mm) | | | | Mounting dimensions (mm) | | | |
|----------|---------------------------------|--------------------------------------|-------------------------|----|------|------------|--------------------------|----|------|------|
| | | | A | B | C | L | a | b | d1 | d2 |
| LW26-20 | M1 panel | 1x2.5 | 48 | 46 | 43 | 22+9.6n | 36 | 36 | Ø8.5 | Ø4.5 |
| | M1 panel with inscription field | | 48 | 60 | 43 | 22+9.6n | 36 | 36 | Ø8.5 | Ø4.5 |
| LW26-25 | M1 panel | 1x4.0 | 48 | 48 | 45.2 | 23+12.8n | 36 | 36 | Ø8.5 | Ø4.5 |
| LW26-32 | M2 panel | 1x6.0 | 64 | 64 | 58 | 29.2+12.8n | 48 | 48 | Ø10 | Ø4.5 |
| LW26-63 | M2 panel | 1x16 | 64 | 64 | 66 | 29.2+21.5n | 48 | 48 | Ø10 | Ø4.5 |
| LW26-125 | M3 panel | 1x35 | 88 | 88 | 84 | 35+26.5n | 68 | 68 | Ø13 | Ø6 |
| LW26-160 | M3 panel | 1x50 | 88 | 88 | 88 | 35+32.5n | 68 | 68 | Ø13 | Ø6 |

*n – number of modules

Variants:

| Type | Scheme | In (A) | Levels | Packing / Box (pcs) | Catalogue number |
|--------------|---|--------|--------|---------------------|------------------|
| LW26 – 25 SD | S21 3-position switching on star/delta | 25 | 4 | 1 / 100 | 492025 |
| LW26 – 63 SD | | 63 | 4 | 1 / 48 | 492063 |



Standards:

EN 60947-1

EN 60947-3-1

