

Manette indexable en plastique composite

Manette en polyamide noir renforcé de fibres de verre, de surface mate, grainage fin, excellente résistance aux chocs. Tige et insert en acier bruni ou en acier inox AISI 303, à tête surdimensionnée haute résistance. Tige filetée et bout tronconique selon DIN 78.

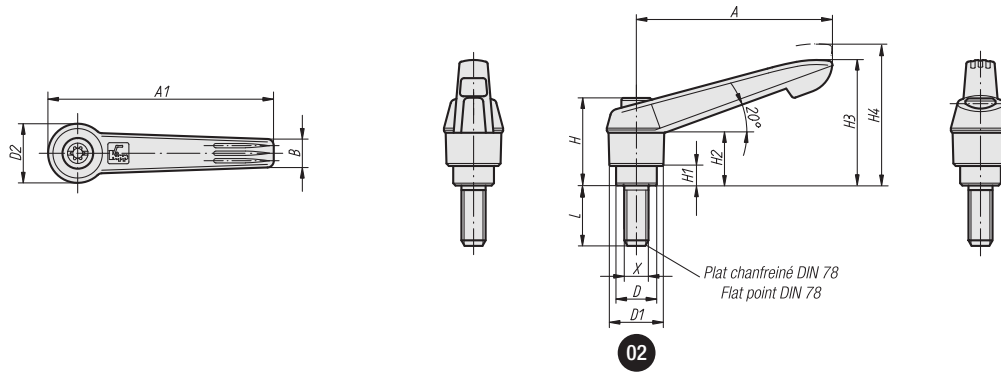
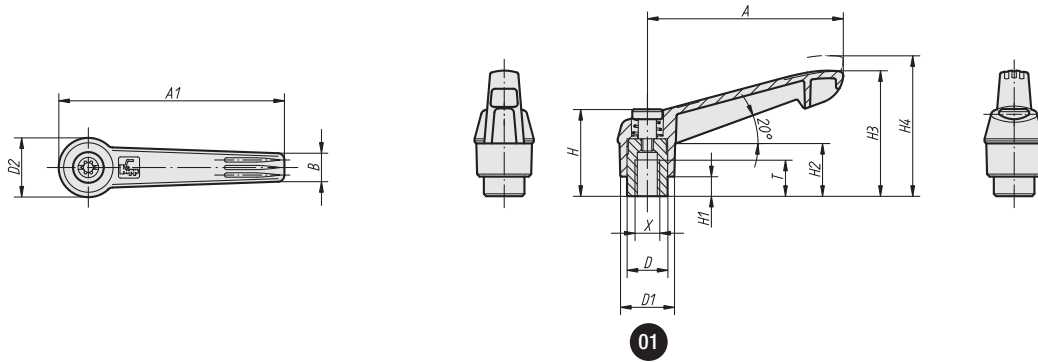
Adjustable handle in composite plastic

Handle made of glass fibre reinforced polyamide, anthracite grey, with insert made either of steel 5.8 with black oxide finish or stainless steel 1.4305, AISI 303 with natural finish.



01 Version avec insert fileté / with female insert

| A | X | T | D | D1 | H | H1 | H2 | H3 | H4 | A1 | B |
|-----|-----|----|------|----|------|-----|------|----|----|-----|----|
| 40 | M4 | 9 | 10 | 13 | 24 | 4 | 15 | 31 | 35 | 47 | 8 |
| 40 | M5 | 9 | 10 | 13 | 24 | 4 | 15 | 31 | 35 | 47 | 8 |
| 40 | M6 | 9 | 10 | 13 | 24 | 4 | 15 | 31 | 35 | 47 | 8 |
| 65 | M6 | 12 | 13,5 | 18 | 29 | 6,5 | 17,5 | 43 | 47 | 75 | 9 |
| 65 | M8 | 12 | 13,5 | 18 | 29 | 6,5 | 17,5 | 43 | 47 | 75 | 9 |
| 80 | M8 | 14 | 16 | 22 | 37,5 | 10 | 24 | 55 | 59 | 91 | 11 |
| 80 | M10 | 14 | 16 | 22 | 37,5 | 10 | 24 | 55 | 59 | 91 | 11 |
| 95 | M10 | 17 | 19 | 26 | 42,5 | 10 | 27 | 64 | 68 | 108 | 13 |
| 95 | M12 | 17 | 19 | 26 | 42,5 | 10 | 27 | 64 | 68 | 108 | 13 |
| 110 | M12 | 23 | 23 | 30 | 51 | 12 | 33 | 75 | 80 | 126 | 16 |
| 110 | M16 | 23 | 23 | 30 | 51 | 12 | 33 | 75 | 80 | 126 | 16 |



02 Version avec tige filetée / with stud

- Longueur standard tige acier / Length of steel stud
- Longueur standard tige inox / Length of stainless stud

| A | X | H1 | 10 | 15 | 20 | 25 | 30 | 35 | 40 | 50 | 60 | 80 |
|-----|-----|-----|----|----|----|----|----|----|----|----|----|----|
| 40 | M5 | 4 | ● | ● | ● | ● | ● | ● | ● | ● | | |
| 40 | M6 | 4 | ● | ● | ● | ● | ● | ● | ● | ● | | |
| 65 | M8 | 6,5 | | ● | ● | ● | ● | ● | ● | ● | ● | ● |
| 65 | M10 | 6,5 | | ● | ● | ● | ● | ● | ● | ● | ● | ● |
| 80 | M10 | 10 | | ● | ● | ● | ● | ● | ● | ● | ● | ● |
| 95 | M10 | 10 | | | ● | ● | ● | ● | ● | ● | ● | ● |
| 95 | M12 | 10 | | | ● | ● | ● | ● | ● | ● | ● | ● |
| 110 | M12 | 12 | | | | ● | ● | ● | ● | ● | ● | ● |
| 110 | M16 | 12 | | | | ● | ● | ● | ● | ● | ● | ● |

** Exemple de commande : 941240 pour une longueur 40 mm / How to order : 94124040 for length 40 mm