

DPS Series 120W AC/DC DIN Rail Power Supplies



AC - DC DIN rail mountable
120W power supplies

- Compact design
- High efficiency up to 86%
- PFC function available
- Parallel function available (switch)
- Input voltage 115/230VAC auto select
- 3 Year warranty



Specifcaton

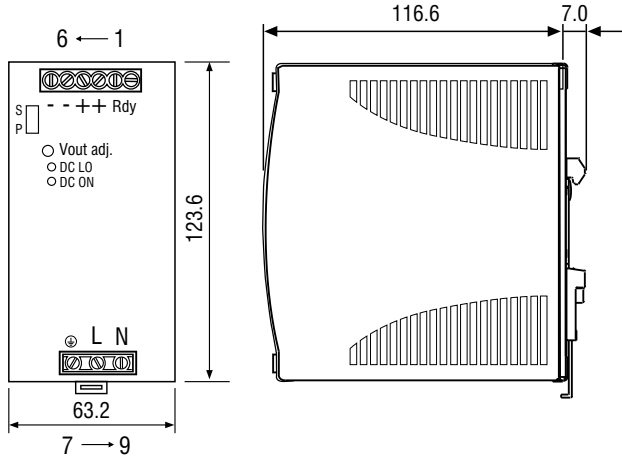
| Model | DPS-1-120-24 |
|------------------------------|--|
| Input Voltage | 115/230VAC |
| Output Wattage | 120W |
| Output Voltage | 24VDC (Other output voltages available on request) |
| Output Current | 5A |
| Efficiency (min/typ) | 84/86% |
| General Specification | |
| Isolation voltage | 3000VAC |
| Isolation resistance | 100MΩ @ 500VDC |
| Ambient temperature | -25 to +71°C |
| Derating (from 61 to 71°C) | 2.5%/°C |
| Storage temperature | -25 to +85°C |
| Relative humidity | 20 to 95% RH |
| Cooling | Free air convection |
| Dimensions | L123.6 x W63.2 x D123.6 mm |
| Weight | 920g |
| Case material | Metal |

| Input Specifications | |
|--|--|
| Rated input voltage | 115/230VAC |
| Input voltage range | 115V: 90 to 132VAC, 230V: 186 to 264VDC |
| Rated input current | 2.8/1.4A |
| Line frequency | 47 to 63Hz |
| Inrush current | 24A @ 115VAC, 48A @ 230VAC |
| PFC | 0.7 @ 230VAC |
| Output Specifications | |
| Output voltage accuracy | 0 to 1% (adjusted pre-shipment) |
| Minimum load | 0% |
| Line regulation | ±0.5% |
| Load regulation | ±1% single mode, ±5% parallel mode |
| Hold up time | 25mS @ 115VAC, 30mS @ 230VAC |
| Temperature coefficient | ±0.3%/°C |
| Ripple & noise | 50mV |
| Voltage trim range | 22.5 to 28.5VDC |
| DC ON indicator threshold at start up | 17.6 to 19.4VDC |
| DC LO indicator threshold after start up | 17.6 to 19.4VDC |
| Parallel operation | up to 3 units |
| Control and Protection | |
| Input fuse | T3.15A/250VAC internal |
| Rated over load protection | 110 to 145% |
| Power Rdy (24V model only) | Electrical isolation: 500VDC Threshold volt. contact closed (start up): 17.6 to 19.4VDC Contact rating: 0.3A @ 60VDC |
| Over voltage protection | 125 to 145% |
| Output short circuit | Current limited |
| Approvals and Standards | |
| | CE, UL/cUL |

DPS Series 120W AC/DC DIN Rail Power Supplies



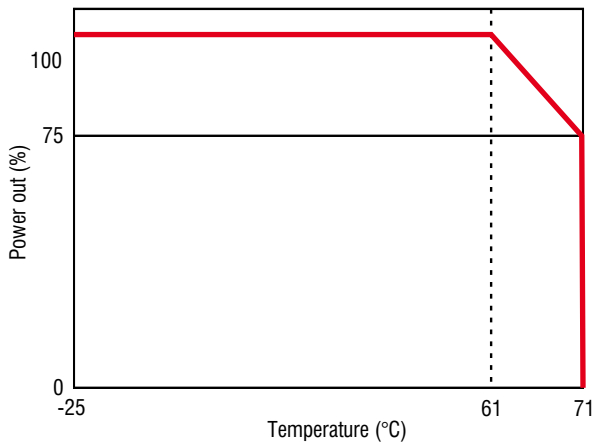
Dimensions (mm)



Pin connections

| Key | Description |
|-----------|--|
| Rdy(1,2) | DC ON output for relay (24V models only) |
| + | (3) Positive output terminal |
| + | (4) Positive output terminal |
| - | (5) Negative output terminal |
| - | (6) Negative output terminal |
| ⊕ | (7) Ground terminal to minimize high-frequency emissions |
| L | (8) Input terminals (phase conductor, no polarity at DC input) |
| N | (9) Input terminals (neutral conductor, no polarity at DC input) |
| DC ON | Operation indicator LED |
| DC LO | DC low voltage indicator LED |
| Vout adj. | Trimmer-potentiometer for Vout adjustment |
| S/P | Single/Parallel select switch |

Derating



Installation

Ventilation/Cooling

Normal convection
All sides 25mm free space
for cooling recommended

Screw Terminal

10-24AWG flexible/solid cable
Strip cable ends by 8mm

Construction

Easy, safe and secure
snap-on, snap-off
DIN-Rail mounting
(TS35/7.5 or TS35/15)

Connections

