

XGB Expansion Analog Input Unit

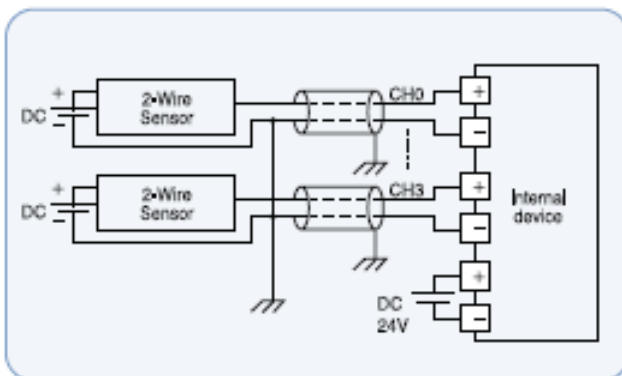


General Specification - DC Input

Specification	XBF-AD04A			
Analog Range	DC 0~10V (input resistance: 1M Ω min.)			
	DC 4~20mA, DC 0~20mA (input resistance 250Ω)			
Analog Range Selection	XG5000 I/ Parameter			
Digital Data	Analog Range	0 ~ 10V	4 ~ 20mA	0~20mA
	Unsigner Value	0~4000		
	Signed Value	-2000 ~ 2000		
	Precise Value	0 ~ 1000	400 ~ 2000	0 ~ 2000
	Percentile Value	0 ~ 1000		
Resolution	Analog Input	Resolution (1/4000)	Analog Input	Resolution (1/4000)
	0~10V	2.5mV	4~20mA 0~20mA	5.0μA
Max. Conversion Speed	1.5ms / Channel			
Max. Absolute input	±15V			±25mA
Accuracy	±0.5% or less			
Analog Input Channels	4 channel / module			
Insulation Method	Photocoupler insulation b/w I/O terminal and power supply			
Connection Terminal	11-point terminal block			
Occupied I/O Points	Fixed type: 64 points			
Current Consumption (DC 24V)	DV 24V: 62mA (External input)			

Wiring

Wiring with 2-wire sensor



Wiring with 4-wire sensor

