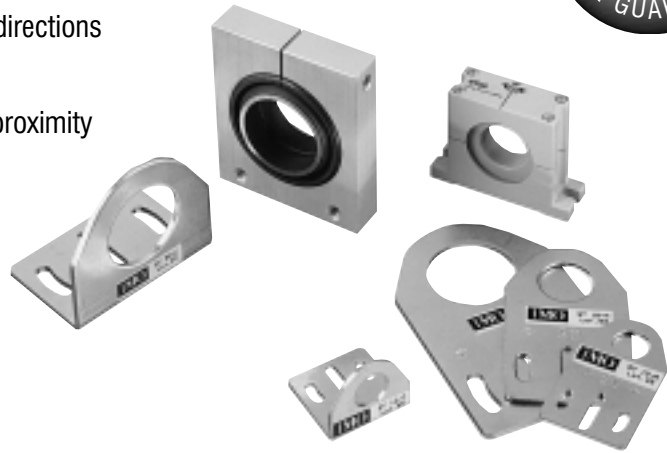


M12/M18/M30 Sensor Brackets ST



Simple and multi-directional adjustable brackets for barrel-type sensors

- Axial and right-angle brackets with slotted holes for $\pm 15^\circ$ adjustment in a single direction
- Swing-mount brackets with $\pm 15^\circ$ adjustment in all directions
- All brackets can be locked in the required position
- For use with photoelectric, inductive and capacitive proximity switches

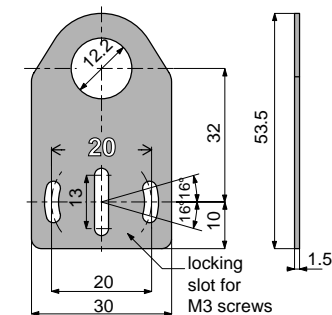


Options and ordering codes

Axial bracket for M12 sensors	ST12-A
Right-angle bracket for M12 sensors	ST12-C
Axial bracket for M18 sensors	ST18-A
Right-angle bracket for M18 sensors	ST18-C
Axial bracket for M30 sensors	ST30-A
Right-angle bracket for M30 sensors	ST30-C
Swing-mount bracket, top fixing for M12 sensors	ST04
Swing-mount bracket, top fixing for M18 sensors	ST02
Swing-mount bracket, side or bottom fixing for M30 sensors	ST13
Swing-mount bracket, top fixing for M30 sensors	ST14

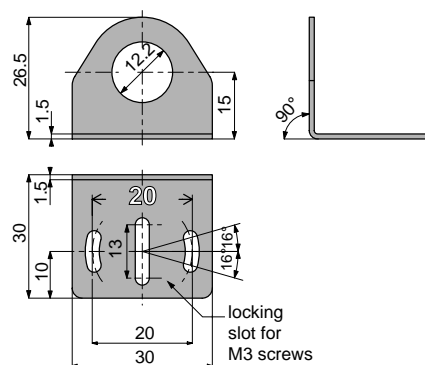
Dimensions (mm)

Axial mount bracket $\phi 12\text{mm}$ ST12-A



■ Material: Nickel-plated steel

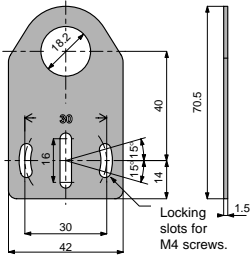
Right-angle mount bracket $\phi 12\text{mm}$ ST12-C



■ Material: Nickel-plated steel

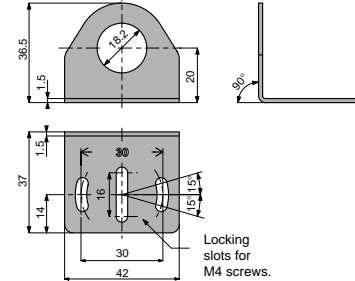
Dimensions (mm)

Axial-mount bracket ø18mm ST18-A



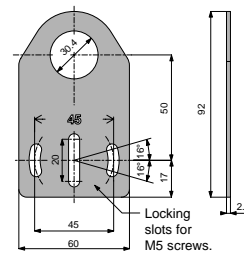
■ Material: Nickel plated steel

Right-angle mount bracket ø18mm ST18-C



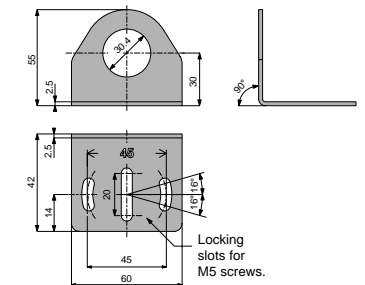
■ Material: Nickel plated steel

Axial-mount bracket ø30mm ST30-A



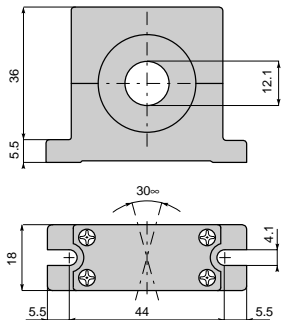
■ Material: Nickel plated steel

Right-angle mount bracket ø18mm ST30-C



■ Material: Nickel plated steel

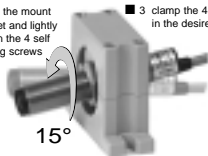
Swing-mount bracket ø12mm ST04



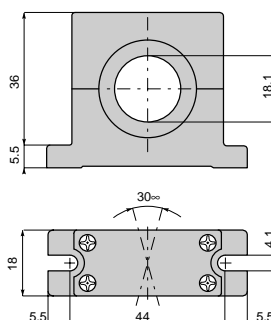
■ Material: ABS

For easy mounting and alignment of retro-reflective and through-beam photoelectric switches ø12mm.

- 1 fasten the mount bracket and lightly tighten the 4 self tapping screws
- 2 direct the photoelectric switch to find the optimum position. The accessory allows rotation in all directions at an angle of 15° max.
- 3 clamp the 4 screws in the desired position



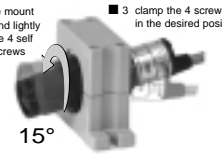
Swing-mount bracket ø18mm ST02



■ Material: ABS

For easy mounting and alignment of retro-reflective and through-beam photoelectric switches ø18mm.

- 1 fasten the mount bracket and lightly tighten the 4 self tapping screws
- 2 direct the photoelectric switch to find the optimum position. The accessory allows rotation in all directions at an angle of 15° max.
- 3 clamp the 4 screws in the desired position



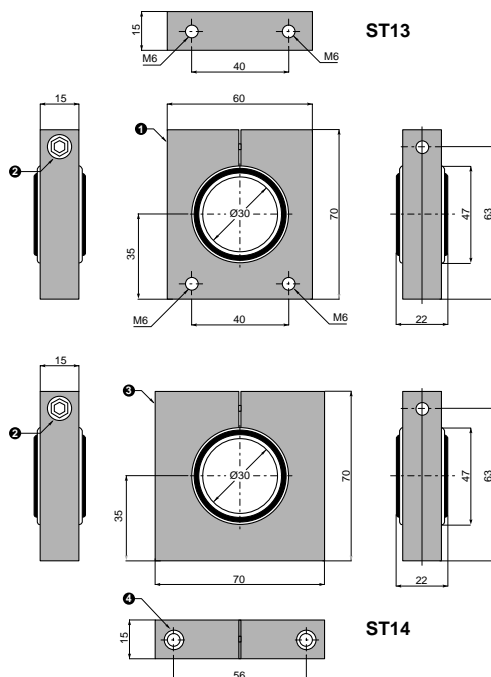
Swing-mount brackets ø30mm ST13 and ST14



ST 13: fastening from the bottom or the side



ST 14: fastening from the top



■ Materials: Aluminium and steel

1. Swing-mount bracket for side or bottom fixing – ST13
2. Locking screw M6. Allen key required 5mm
3. Swing-mount bracket for top fixing – ST14
4. Counterbored holes for M4 screws.

Instructions

- a) Fasten the mount bracket and lightly tighten the locking screw (2.)
- b) Direct the photoelectric switch to find the optimum position. The accessory allows rotation in all directions at an angle of 15° max
- c) Tighten the locking screw (2.) in the desired position.