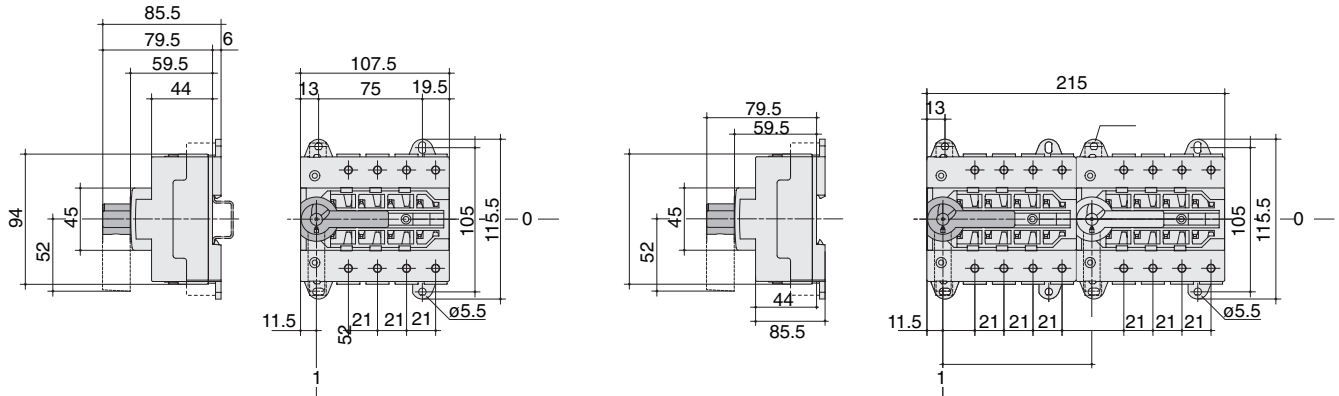


Specification

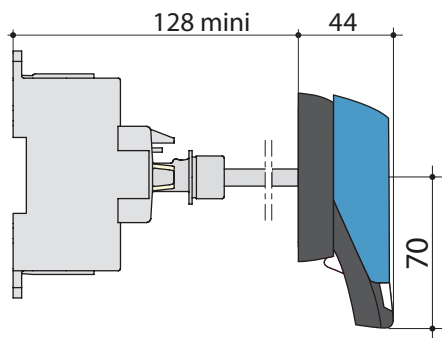
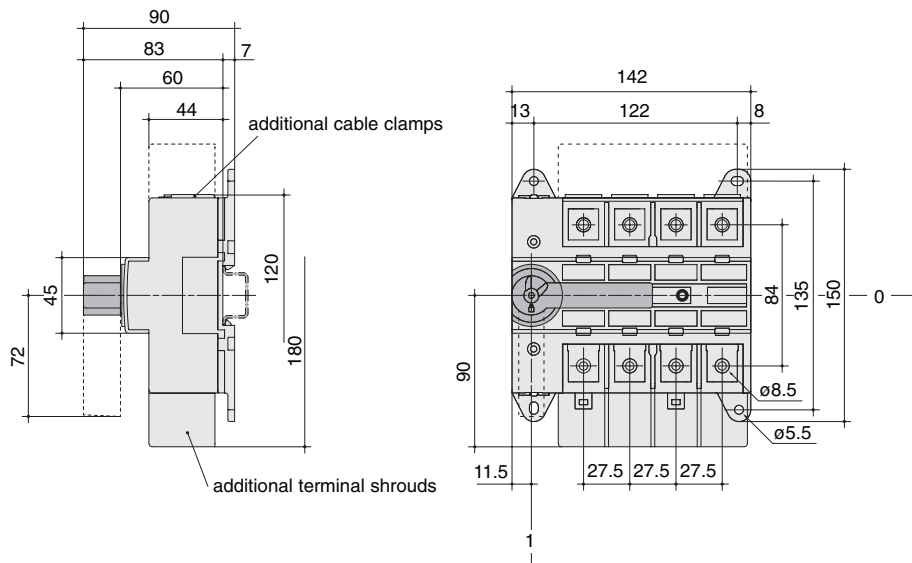
CM79 SERIES		CM793063 CM794063 CM796063 CM798063	CM793080 CM794080 CM796080 CM798080	CM793100 CM794100 CM796100 CM798100	CM793125 CM794125 CM796125 CM798125	CM793125X CM794125X - -	CM793160 CM794160 - -	CM793200 CM794200 - -
Rated insulation voltage	Ui	690	690	690	690	690	690	690
Rated thermal current	Ith	63A	80A	100A	125A	125A	160A	200A
Ratings @ 400VAC								
AC21B	A	63	80	100	125	125	160	200
AC22B	A	63	80	100	125	125	160	200
AC23B	A	63	63	63	63	125	160	200
Making capacity @ 400VAC AC23B A Rms		630	630	630	630	1250	1600	2000
Breaking capacity @ 400VAC AC23B A Rms		504	504	504	504	1000	1280	1600
Fuse protected short-circuit withstand (kA Rms prospective)		100	100	100	50	50	50	50
Rated peak withstand current kA peak		12	12	12	12	16	16	16
Mechanical life		20000	20000	20000	20000	10000	10000	10000
Maximum cable size mm ²		35	35	35	35	70	70	70
Weight Kg 3P		0.6	0.6	0.7	0.7	0.9	0.9	0.9
Kg 4P		0.7	0.7	0.8	0.8	1	1	1
Kg 6P		1.2	1.2	1.4	1.4	1.8	1.8	1.8
Kg 8P		1.4	1.4	1.6	1.6	2	2	2
MS79 SERIES		MS793125 MS794125	MS793160 MS794160	MS793200 MS794200	MS793250 MS794250	MS793315 MS794315	MS793400 MS794400	MS793630 MS794630
Rated insulation voltage	Ui	800	800	800	800	1000	1000	1000
Rated thermal current	Ith	125A	160A	200A	250A	315A	400A	630A
Ratings @ 400VAC								
AC21	A	125	160	200	250	315	400	630
AC22	A	125	160	200	250	315	400	630
AC23	A	125	160	200	250	315	400	500
Making capacity @ 400VAC AC23 A Rms		1250	1250	2000	2500	3150	4000	4000
Breaking capacity @ 400VAC AC23 A Rms		1000	1280	1600	2000	2520	3200	4000
Fuse protected short-circuit withstand (kA Rms prospective)		100	100	100	100	100	100	70
Rated peak withstand current kA peak		7	7	9	9	26	13	13
Mechanical life		10000	10000	10000	10000	5000	5000	5000
Maximum cable size mm ²		95	95	95	150	240	240	240
Weight Kg 3P		1	1.5	2	2	3.5	3.5	3.5
Kg 4P		1.5	1.5	2	2	4	4	4.5

Dimensions (mm)

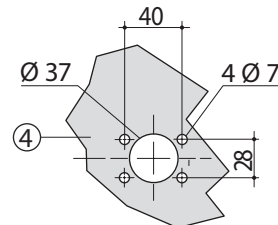
CM ratings 63-125A



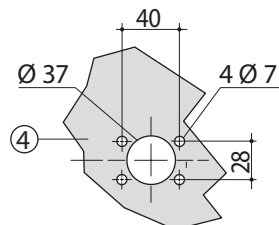
CM ratings 125X-200A



Door drilling details for rotary handle

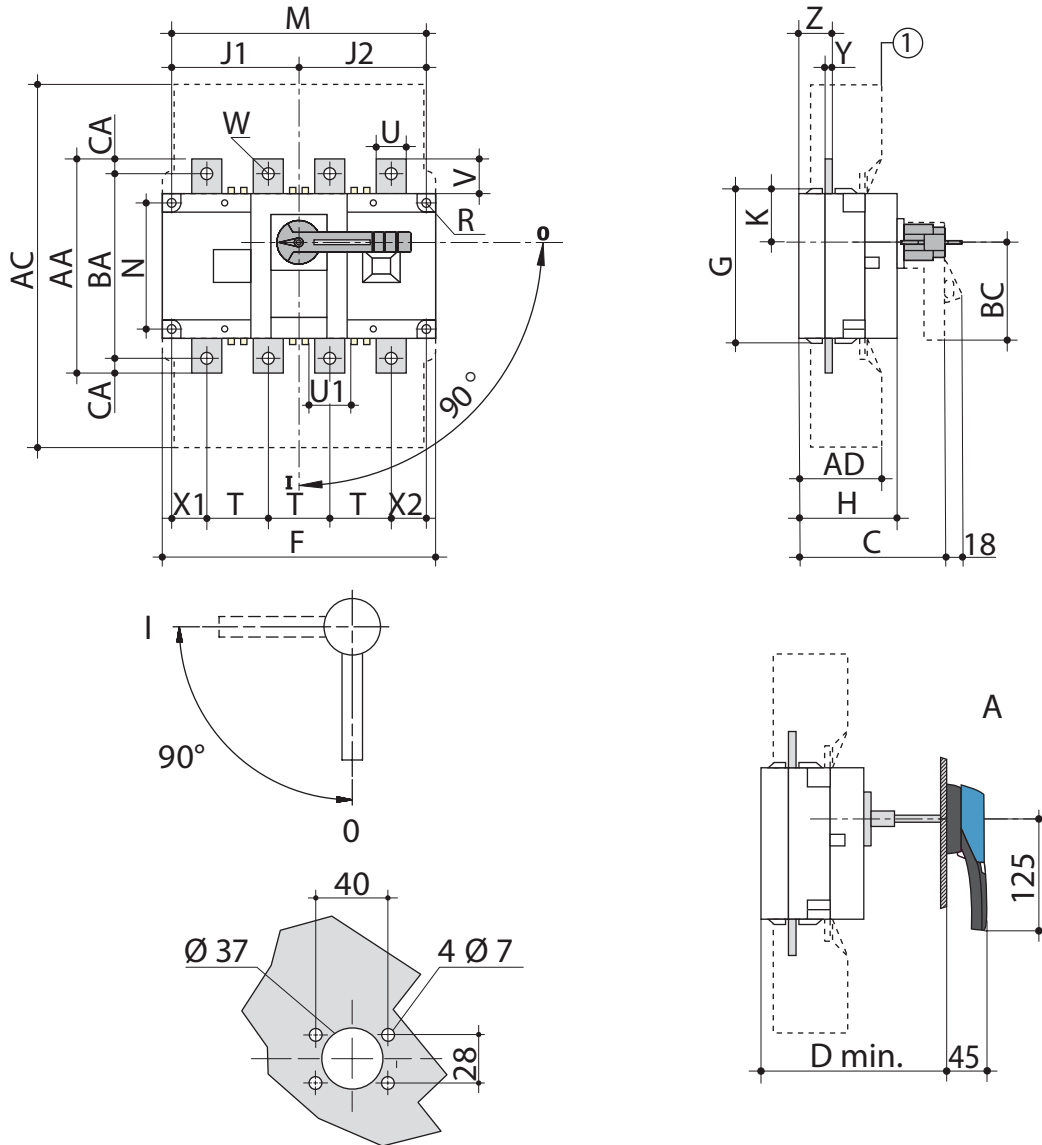


Door drilling details for pistol handle



Dimensions (mm)

MS 125-630A



Rating	Overall dimensions		Terminal shrouds		Switch body					Switch mounting					Connection terminals															
	C	D min.	AC	AD	F 3p.	F 4p.	G	H	J1 3p.	J1 4p.	J2	K	BC	M 3p.	M 4p.	N	R	T	U	U1	V	W	X1 3p.	X1 4p.	X2	Y	Z	AA	BA	CA
125	115	125	235	50	140	170	93	65	45	75	75	31.5	80	120	150	65	5.5	36	20	20.5	25	9	28	22	20	3.5	20.5	135	115	10
160	115	125	235	50	140	170	93	65	45	75	75	31.5	80	120	150	65	5.5	36	20	20.5	25	9	28	22	20	3.5	20.5	135	115	10
200	125	135	280	60	180	230	108	75	55	105	105	34	115	160	210	80	5.5	50	25	25.5	30	11	33	33	27	3.5	22.5	160	130	15
250	125	135	280	60	180	230	108	75	55	105	105	34	115	160	210	80	5.5	50	25	25.5	30	11	33	33	27	3.5	22.5	160	130	15
315	160	165	401	89	230	290	170	110	75	135	135	55	115	210	270	140	7	65	32	45.5	37.5	11	42.5	37.5	37.5	5	36	235	205	15
400	160	165	401	89	230	290	170	110	75	135	135	55	115	210	270	140	7	65	32	45.5	37.5	11	42.5	37.5	37.5	5	36	235	205	15
500	160	165	401	89	230	290	170	110	75	135	135	55	115	210	270	140	7	65	32	45.5	37.5	13	42.5	37.5	37.5	5	36	235	205	15
630	160	165	400	89	230	290	170	110	75	135	135	55	115	210	270	140	7	65	45	45.5	50	13	42.5	37.5	37.5	5	36	260	220	20