

ADAPTER ATS FOR DIN RAIL TS35

SEE ALSO:



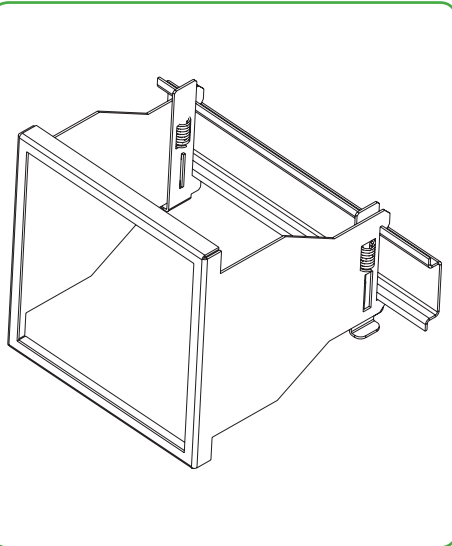
Digital meters.



Controllers.



Analog meters.



- Designed for mounting of panel instruments on the DIN rail TS35.
- Easy and quick assembly and disassembly of adapter..
- Construction is made of galvanized steel.
- Available for the products in the dimensions of:
96 x 96 mm,
96 x 48 mm,
72 x 72 mm,
48 x 96 mm,
48 x 48 mm.

	ADAPTER ATS				
	ATS1	ATS2	ATS3	ATS4	ATS5
Adapter dimensions [mm]	92 ^{+0.8} x 92 ^{+0.8}	92 ^{+0.8} x 45 ^{+0.6}	68 ^{+0.7} x 68 ^{+0.7}	45 ^{+0.6} x 92 ^{+0.8}	45 ^{+0.6} x 45 ^{+0.6}
Panel instruments dimensions [mm]	96 x 96	96 x 48	72 x 72	48 x 96	48 x 48

ADAPTER SET

The set is composed of:

- adapter ATS1 pc
- user’s manual.....1 pc

FIXING

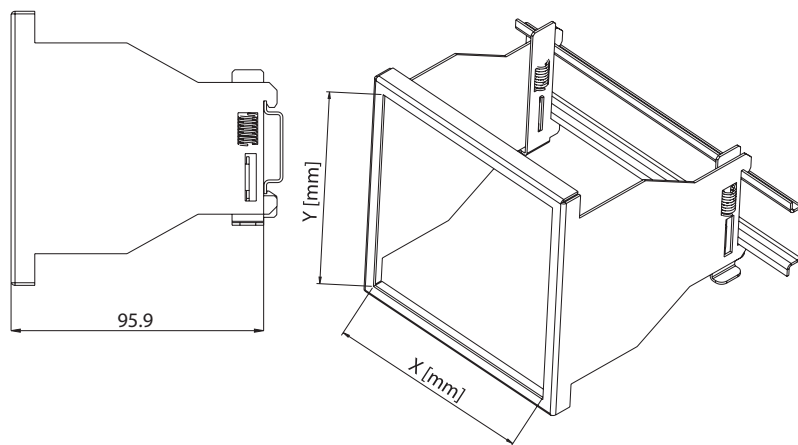


Fig 1. View of the ATS mount on the DIN rail TS35.

Export department:
English: +48 68 32 95
 302 / 321 / 276 / 386 / 233
German: +48 68 32 95 305
Russian: +48 68 32 95 321
Fax: +48 68 32 54 091
e-mail: export@lumel.com.pl

LUMEL S.A.
 ul. Słubicka 1
 65-127 Zielona Góra
 POLAND

WWW.LUMEL.COM.PL

FIXING

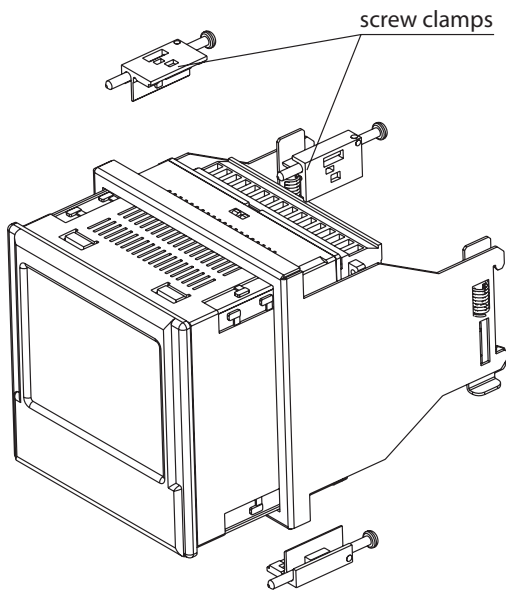


Fig 2. Fixing the panel meter into the adapter.

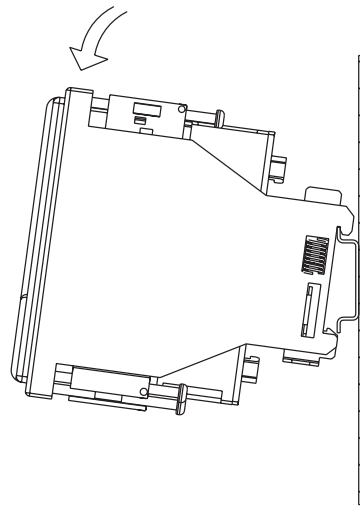


Fig.3. Fixing the set on the DIN rail TS35

DISASSEMBLY

ATS adapter holder design allows for easy disassembly of the set. In order to do this, simultaneously press the two protruding parts (at the top or bottom of the holder) and by pivoting the set remove it from the rail (Figure 3).

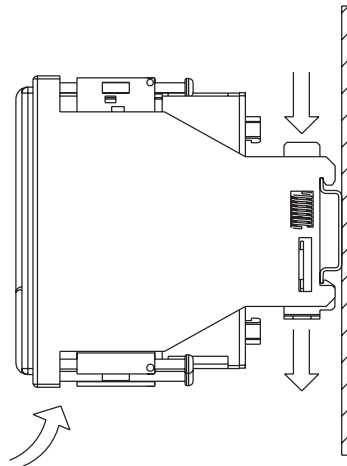


Fig.4 Disassembly of the set.

ORDERING

	ATS	X	XX
Mounting hole acc. DIN IEC 61554 X[mm] x Y [mm]:			
92+0,8 x 92+0,8		1	
92+0,8 x 45+0,6		2	
68+0,7 x 68+0,7		3	
45+0,6 x 92+0,8		4	
45+0,6 x 45+0,6		5	
Version:			
standard			00
custom-made*			XX

* - the code will be established by the manufacturer

Order example:

The code: **ATS - 4.00** means:
4 - mounting hole 45 mm x 92 mm
00 - standard version.

SEE ALSO:



Digital meters.



Controllers.



Analog meters.

NASZA OFERTA

www.lumel.com.pl

For more information about LUMEL's products please visit our website:
www.lumel.com.pl

Export department:
English: +48 68 32 95 302 / 321 / 276 / 386 / 233
German: +48 68 32 95 305
Russian: +48 68 32 95 321
Fax: +48 68 32 54 091
e-mail: export@lumel.com.pl

LUMEL S.A.
 ul. Słubicka 1
 65-127 Zielona Góra
 POLAND
WWW.LUMEL.COM.PL