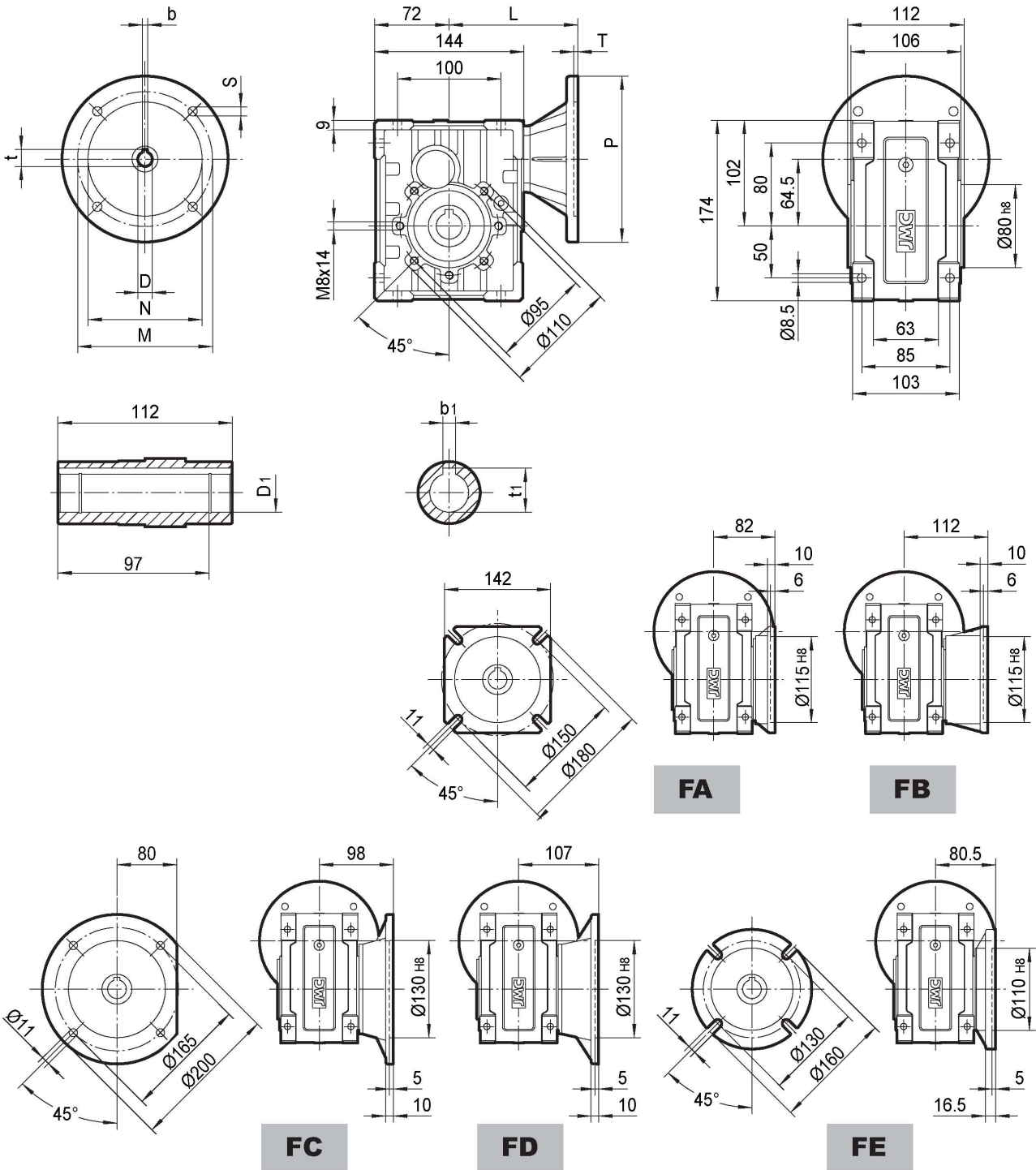


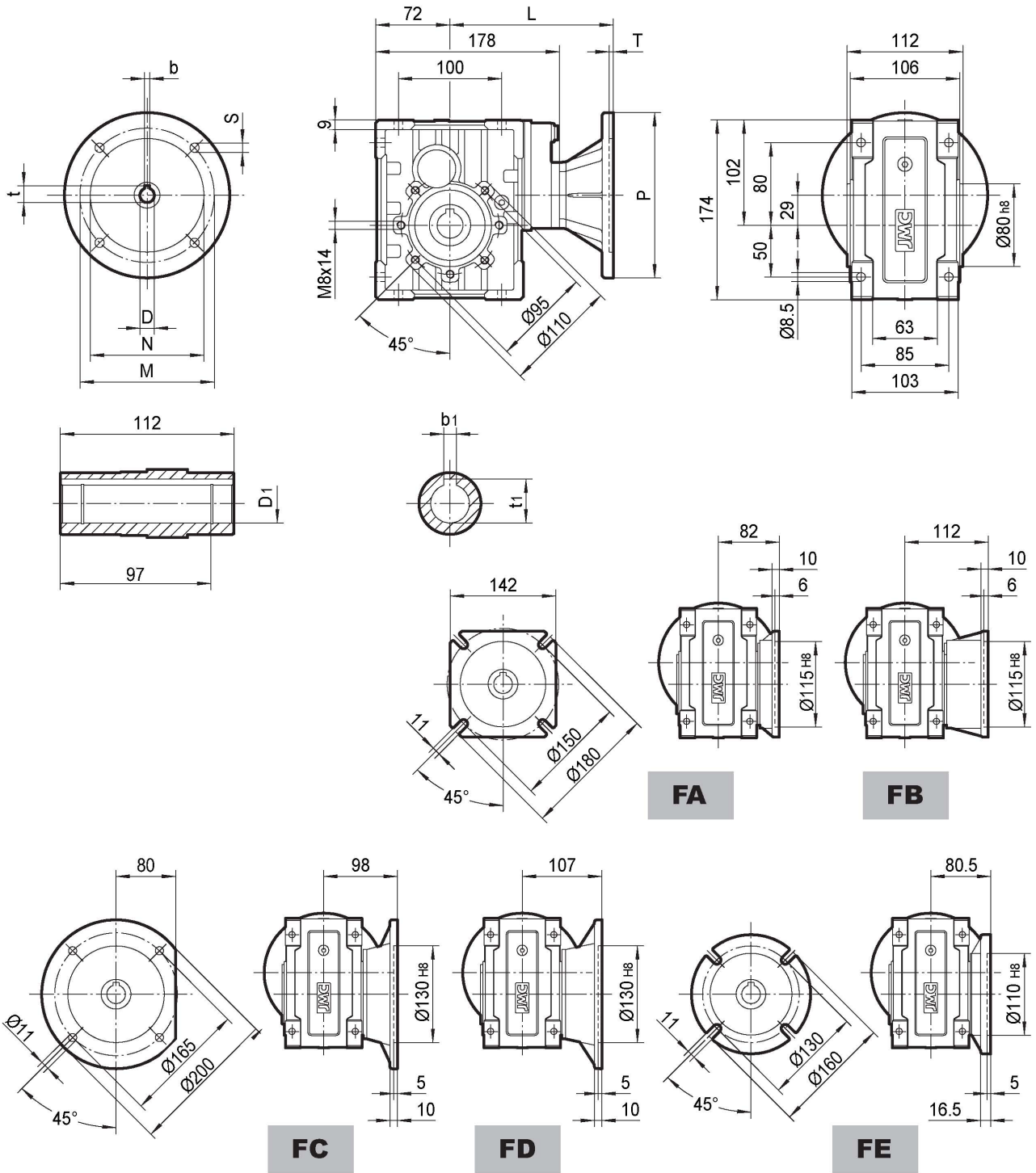
**TKM38B..**



| IEC   | D <sub>E8</sub> | b | t    | P   | M   | N   | S  | T | L   | D <sub>1 H8</sub> | b <sub>1</sub> | t <sub>1</sub> |
|-------|-----------------|---|------|-----|-----|-----|----|---|-----|-------------------|----------------|----------------|
| 63B5  | 11              | 4 | 12.8 | 140 | 115 | 95  | 9  | 4 | 117 | 25                | 8              | 28.3           |
| 71B5  | 14              | 5 | 16.3 | 160 | 130 | 110 | 9  | 4 | 124 | 28*               | 8              | 31.3           |
| 71B14 | 14              | 5 | 16.3 | 105 | 85  | 70  | 7  | 4 | 124 | 30*               | 8              | 33.3           |
| 80B5  | 19              | 6 | 21.8 | 200 | 165 | 130 | 11 | 4 | 144 | * Only on request |                |                |
| 80B14 | 19              | 6 | 21.8 | 120 | 100 | 80  | 7  | 4 | 144 |                   |                |                |
| 90B5  | 24              | 8 | 27.3 | 200 | 165 | 130 | 11 | 4 | 144 |                   |                |                |
| 90B14 | 24              | 8 | 27.3 | 140 | 115 | 95  | 9  | 4 | 144 |                   |                |                |

Weight without motor  
≈ 6.0 kg

**TKM38C..**



| IEC   | D <sub>E8</sub> | b | t    | P   | M   | N   | S  | T | L   | D1 <sub>H8</sub>  | b1 | t1   |
|-------|-----------------|---|------|-----|-----|-----|----|---|-----|-------------------|----|------|
| 63B5  | 11              | 4 | 12.8 | 140 | 115 | 95  | 9  | 4 | 151 | 25                | 8  | 28.3 |
| 71B5  | 14              | 5 | 16.3 | 160 | 130 | 110 | 9  | 4 | 158 | 28*               | 8  | 31.3 |
| 71B14 | 14              | 5 | 16.3 | 105 | 85  | 70  | 7  | 4 | 158 | 30*               | 8  | 33.3 |
| 80B5  | 19              | 6 | 21.8 | 200 | 165 | 130 | 11 | 4 | 178 | * Only on request |    |      |
| 80B14 | 19              | 6 | 21.8 | 120 | 100 | 80  | 7  | 4 | 178 |                   |    |      |

Weight without motor  
≈ 6.8 kg