

LU7

Signal Tower



- LED**
- 2 Alarm Sounds** (FB Type)
- 90dB at 1m** (FB Type)
- IP65**
- Ø70**
- NPN/PNP**
Open-collector



Versatile modular Signal Tower featuring easy assembly and wiring designed for every need.

FEATURES

- PATLITE's exclusive hybrid prism-cut lens designed for enhanced visibility from any direction and distance.
- Two built-in alarms (FB type)
- Adjustable volume of up to 90dB (at 1m).
- Direct mount installation is standard; pole-mount is available with the optional mounting pole.
- Color-coordinated Terminal block corresponding to the lens colors for quick wiring and verification.
- Interchangeable LED Modules requires no re-wiring, even after installation.
- Lens is made of superior impact and heat resistant polycarbonate resin for superior durability and light transmission.
- Available Module Colors are in Red, Amber, Green, Blue, and Clear/White.
- Available Base colors are in Black, Silver and Ivory White.
- Conforms to the CE requirements (for 24V type).
- Is a UL Recognized Component (File No. E215660).
- Product Shipped in a modular style for customer's customized assembly.



How to Order

LED Module LU7-E-R		Base Unit LU7-02SUFB	
Model	Color	Model	Type
Unit	R: Red	Rated Voltage	Blank: Continuous light
E : LED Unit	Y: Amber	02: DC 24V	FB: Flashing/ Alarm
EX: Strobe Unit	G: Green	M2: AC 100 - 240V	Base Color
	B: Blue	Body Size	Blank: Ivory White
	C: White/Clear	Blank: Standard	U : Silver
		S : Short	K : Black

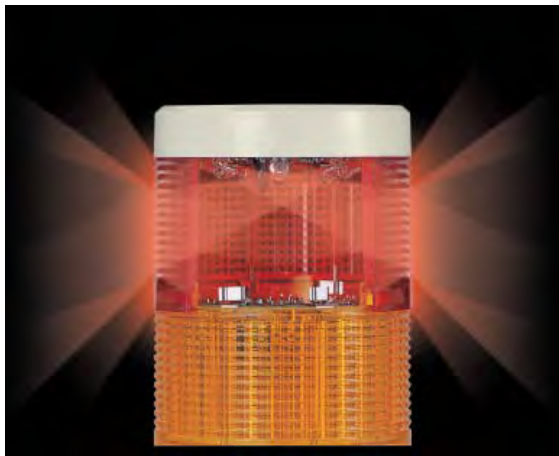
THE LU7 Series Advantage

70mm diameter

Innovative LED Modular Style Signal Tower

Ultra-bright LEDs combined with an Innovative prism-cut lens design

With the innovative prism-cut lens, a small diameter can emit enough light to be seen from great distances while reducing costs of the Signal Tower.



Ultra-bright LED

Two selectable alarms integrated in the Base Module

Adding sound to a visual signal enhances the critical nature of the status, bringing more attention to certain conditions while still allowing up to five LED modules to be used because the alarms are built into the base.



ADJUSTABLE VOLUME

Delivers Sound of up to 90 dB (at 1m)

Alarm can be easily heard over ambient noises.

Modular Design

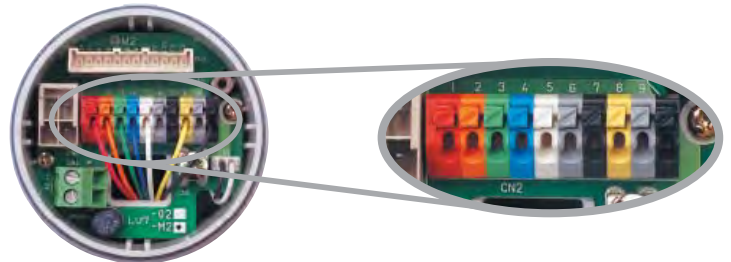
With a modular design, freely configuring and assembling a Signal Tower is easy and the modules can be put away for when the machine has to be shipped to reduce shipping costs and shipping crate material.



Modular Construction

Color-coded & spring-loaded Terminal Block

Easier wiring and more reliable in comparison to screw-type connections with each terminal block color corresponding to the LED module color.



Wiring Terminals

O-rings

The O-rings seal the tower from liquids so that an IP-65 rating can be achieved to allow the tower to be used in wet environments.



IP65 Protection

IP65 & IP66 with Optional Cable Gland

The new LU7 is designed to add a cable gland so that a rating of IP-65 can be achieved to be used in harsher environments. (Cable Gland is to be supplied by the user.)









Cable Gland

Specifications (Base)

LU7

LU7 Base Units

Model	LU7-02S	LU7-02	LU7-02FB	LU7-02M2	LU7-02M2FB	Unit Color Variation			
Rated Voltage	DC 24V			AC 100 to 240V (50/60Hz)		Short Body			
Operating Voltage Range	DC 21.6 - 26.4V			AC 90 to 250V (50/60Hz)		Ivory White	Silver	Black	
Alarm	—	Buzzer 1*	Buzzer 2**	—	Buzzer 1*	Buzzer 2**			
Current Consumption	—	50±10mA	24±10mA	—	50±10mA	24±10mA			
Power Consumption	—	1.2±0.25W	0.58±0.25W	—	1.8±0.25W	1.3±0.25W	LU7-02S	LU7-02SU	LU7-02SK
Sound Level	—	Max: 90±5dB (at 1m) Min: 70dB or less (at 1m)		—	Max: 90±5dB (at 1m) Min: 70dB or less (at 1m)		Standard Body		
Flash Cycle	—	60±12 flashes per minute		—	60±12 flashes per minute				
Operating Temperature Range	-30°C to +60°C			-25°C to +55°C					
Mounting Direction	Upright, Indoor Only								
Protection Rating	IP65 (IP66 with Cable Gland***)								
Mass (±10%)	150g	250g	280g	310g	340g				
Open Collector	PNP/NPN			NPN					
							LU7-02/M2	LU7-02U/M2U	LU7-02K/M2K

*Buzzer 1: Continuous **Buzzer 2: Intermittent ***Cable Gland to be supplied by user

Specifications (Module)

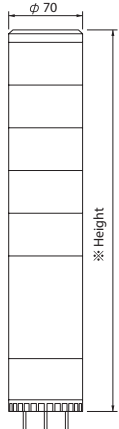
LU7 LED Units*

Model	LU7-E-R	LU7-E-Y	LU7-E-G	LU7-E-B	LU7-E-C
Unit /LED Color	LED Unit Red	LED Unit Amber	LED Unit Green	LED Unit Blue	LED Unit White/Clear
Rated Voltage	DC 24V				
Operating Voltage Range	DC 21.6 - 26.4V				
Current/Power Consumption	52mA/1.25W		42mA/1.0W		
Operating Temperature Range	-30°C to +60°C				
Mass (±10%)	60g				

*Operates on LU7-02, LU7-02FB, LU7-M2 and LU7-M2FB Base Units

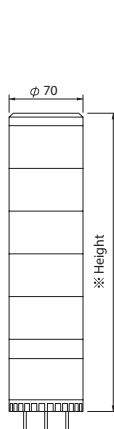
Dimensions

LU7 Standard Body



Height
1 Tier : 211
2 Tiers : 252
3 Tiers : 293
4 Tiers : 334
5 Tiers : 375

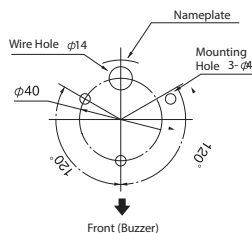
LU7-02S Short Body



Height
1 Tier : 118
2 Tiers : 159
3 Tiers : 200
4 Tiers : 241
5 Tiers : 282

(Unit: mm)

Mounting Dimensions



Wiring

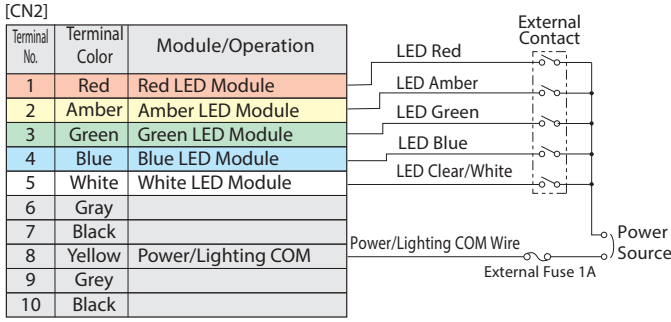
External Contact Capacity

Specifications		DC 24V	AC 100 - 240V
LED Unit (1 Unit)	Current Consumption	Red,Amber: 52mA	Green,Blue,White/Clear: 42mA
	Contact Capacity	Is≥100mA, Vs≥AC 35V	
Alarm	Current Consumption	50mA	
	Inrush Current	100mA	
	Contact Capacity	Is≥100mA, Vs≥AC 35V	
Power Supply	Current Consumption	360mA	40mA (250VAC) - 110mA (90VAC)
	Contact Capacity	Is≥500mA Vs≥AC 35V	9A (90V) - 25A (250V) Vs≥AC 250V

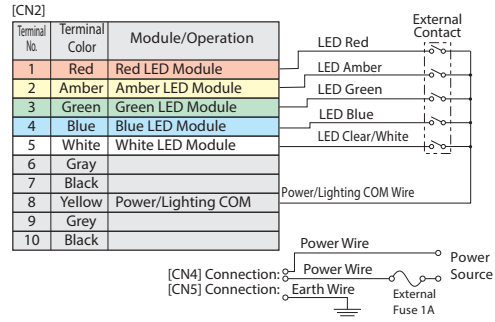
External Contact Fuse

Voltage	Fuse Amperage Rating
All Models	250V, 1A

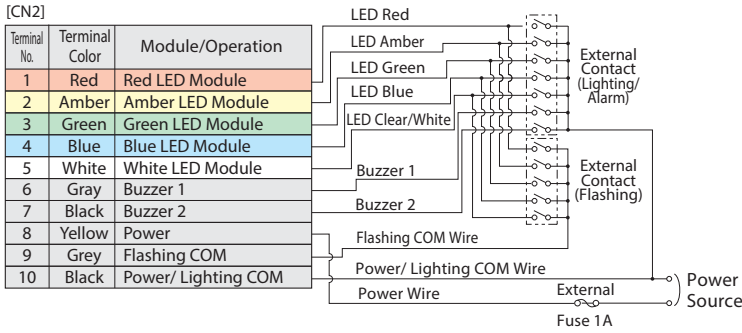
• AC/DC 24V Lighting Type



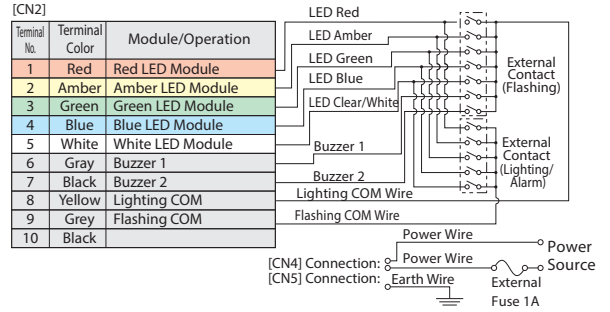
• AC Power Lighting Type



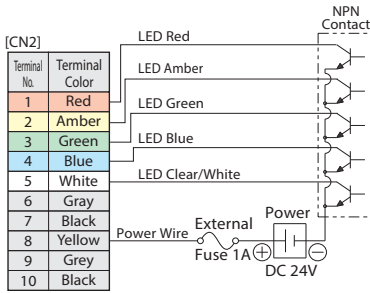
• AC/DC 24V Lighting/Flashing Type



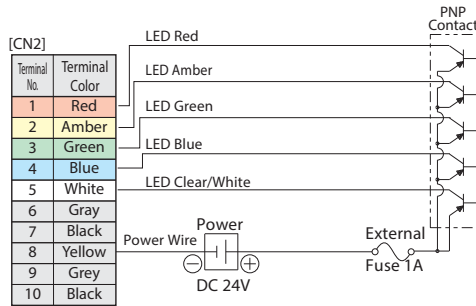
• AC Power Lighting/Flashing Type



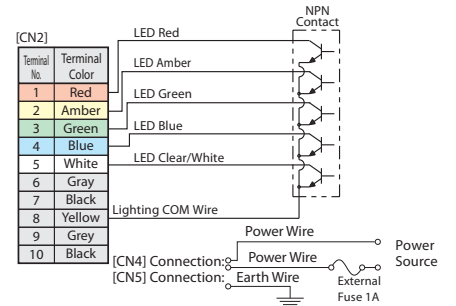
• DC 24V NPN Type



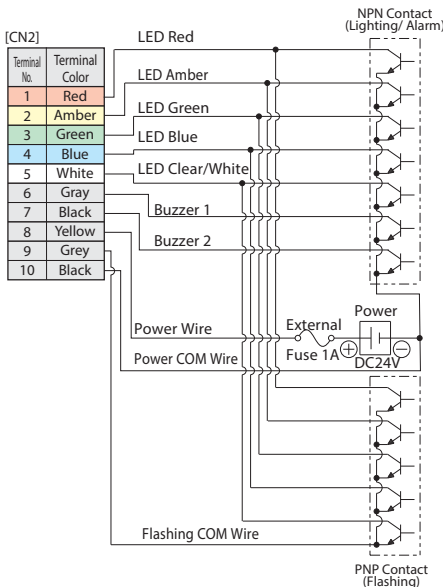
• DC 24V PNP Type



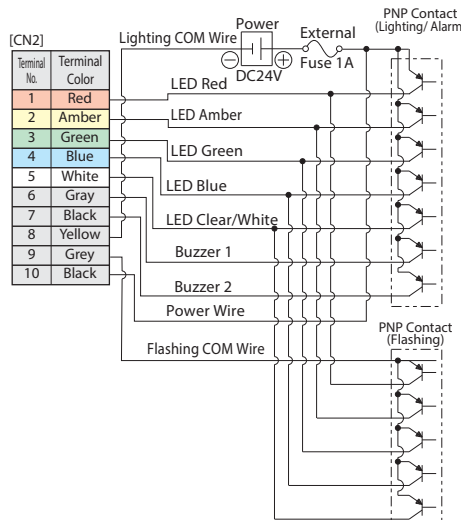
• AC Power NPN Type



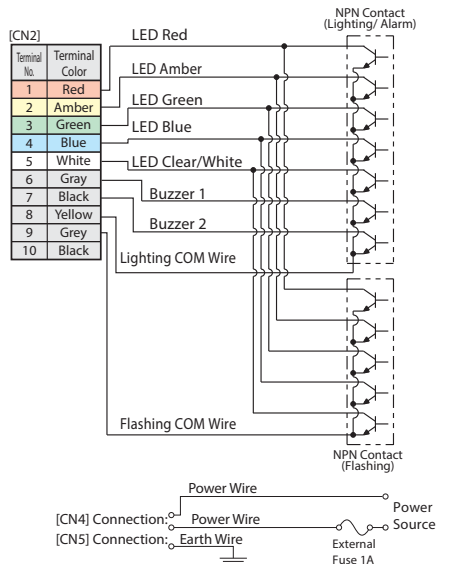
• DC 24V NPN FB Type



• DC 24V PNP FB Type

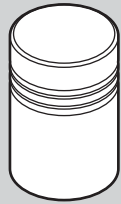


• AC Power NPN FB Type

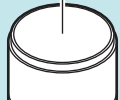




Voice and Sound Module



Model	LU7-V1
Type	Voice Synthesizer
Rated Voltage	DC 24V
Power Consumption	3.5W
Mass (±10%)	170g



LED Units



Model	LU7-E-R	LU7-E-Y	LU7-E-G	LU7-E-B	LU7-E-C
Unit Color					
Rated Voltage	DC 24V				
Operating Voltage Range	DC 21.6 ~ 26.4V				
Current/Power Consumption	52mA/1.25W		42mA/1.0W		
Operating Temperature Range	-30°C ~ +60°C				
Mass (±10%)	60g				



LED Strobe Module

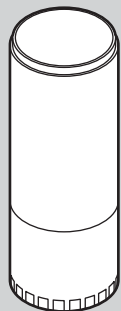


Model	LU7-XE-R	LU7-XE-Y	LU7-XE-G	LU7-XE-B	LU7-XE-C
Unit Color					
Rated Voltage	DC 24V				
Power Consumption	290mA	290mA	140mA	270mA	280mA
Mass (±10%)	70g				

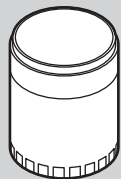
RED AMBER GREEN BLUE CLEAR/WHITE



BASE Units



Standard Body



Short Body

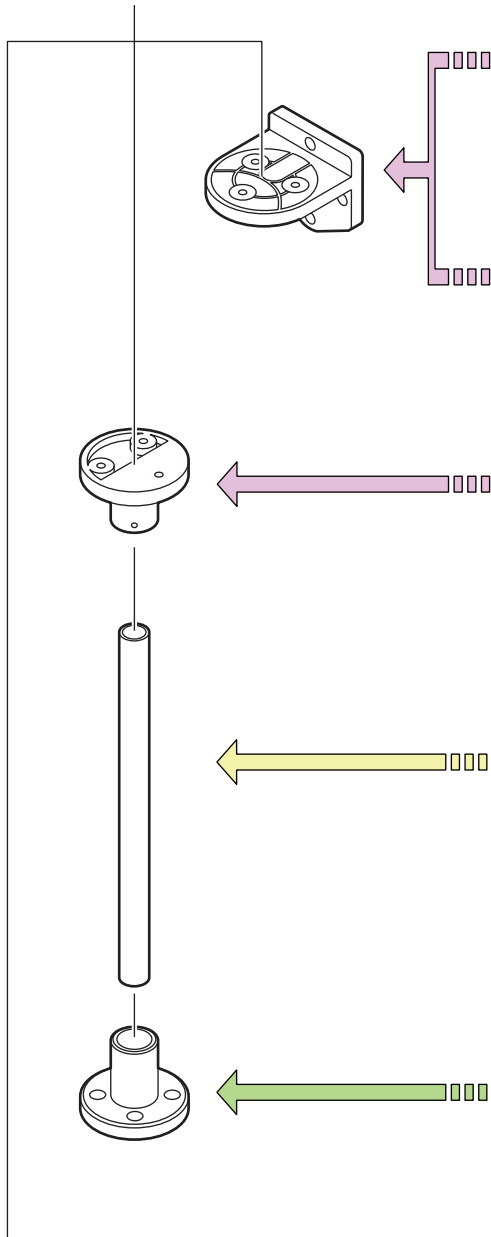
Model	LU7-02S	LU7-02	LU7-02FB	LU7-M2	LU7-M2FB
Color					
Standard Body/Short Body	Short	Standard		Standard	
Rated Voltage	DC 24V			AC 100~240V (50/60Hz)	
Operating Voltage Range	DC 21.6 ~ 26.4V			AC 90~250V (50/60Hz)	
Alarm	-	*Buzzer 1 : *Buzzer 2		-	*Buzzer 1 : Buzzer 2
Current Consumption	-	50±10mA ; 24±10mA		-	50±10mA ; 24±10mA
Power Consumption	-	1.2±0.25W ; 0.58±0.25W		-	1.8±0.25W ; 1.3±0.25W
Sound Level	-	Max:90±5dB (at 1m) Min:70dB or Less (at 1m)		-	Max:90±5dB (at 1m) Min:70dB or Less (at 1m)
Flashing Cycle	-	60±12 flashes per minute		-	60±12 flashes per minute
Operating Temperature Range	-30°C ~ +60°C			-25°C ~ +55°C	
Mounting Direction	Upright, Indoor only			Upright, Indoor only	
Protection Rating	IP65 (IP66 with Cable Gland supplied by user)				
Mass (±10%)	150g	250g	280g	310g	340g
Open Collector Type	PNP/NPN			NPN	

* Buzzer 1 : Continuous Sound **Buzzer 2 : Intermittent Sound

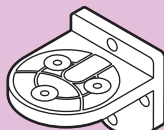
Ivory White Silver Color (U) Black (K)

Optional Parts

Optional Parts

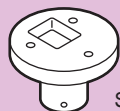


Wall Mount Bracket



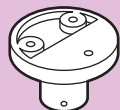
Model	SZ-018	SZ-018U	SZ-018K
Color	Ivory White	Silver (U)	Black (K)

Upper Bracket



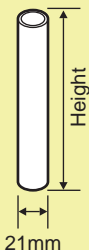
SZ-50NPT(For 1/2" NPT Pole)

Upper Bracket



Model	SZ-50-U	SZ-50U-U	SZ-50K-U
Color	Ivory White	Silver (U)	Black (K)

Pole



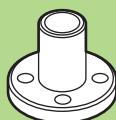
Steel Pole

Model	POLE-800S21	POLE-300S21	POLE-100S21
Height	800mm	300mm	100mm

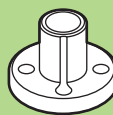
Aluminum Pole

Model	POLE-800A21	POLE-300A21	POLE-100A21
Height	800mm	300mm	100mm

Mounting Bracket



SZ-016A
(For $\phi 21.7\text{mm}$ Pole)



SZ-70-B
(For $\phi 21.7\text{mm}$ Aluminium Pole Only)

Wall Mount Bracket



SZ-020
(For $\phi 21.7\text{mm}$ Pole)



SZ-017
(For $\phi 21.7\text{mm}$ Pole)

Pre-assembled

