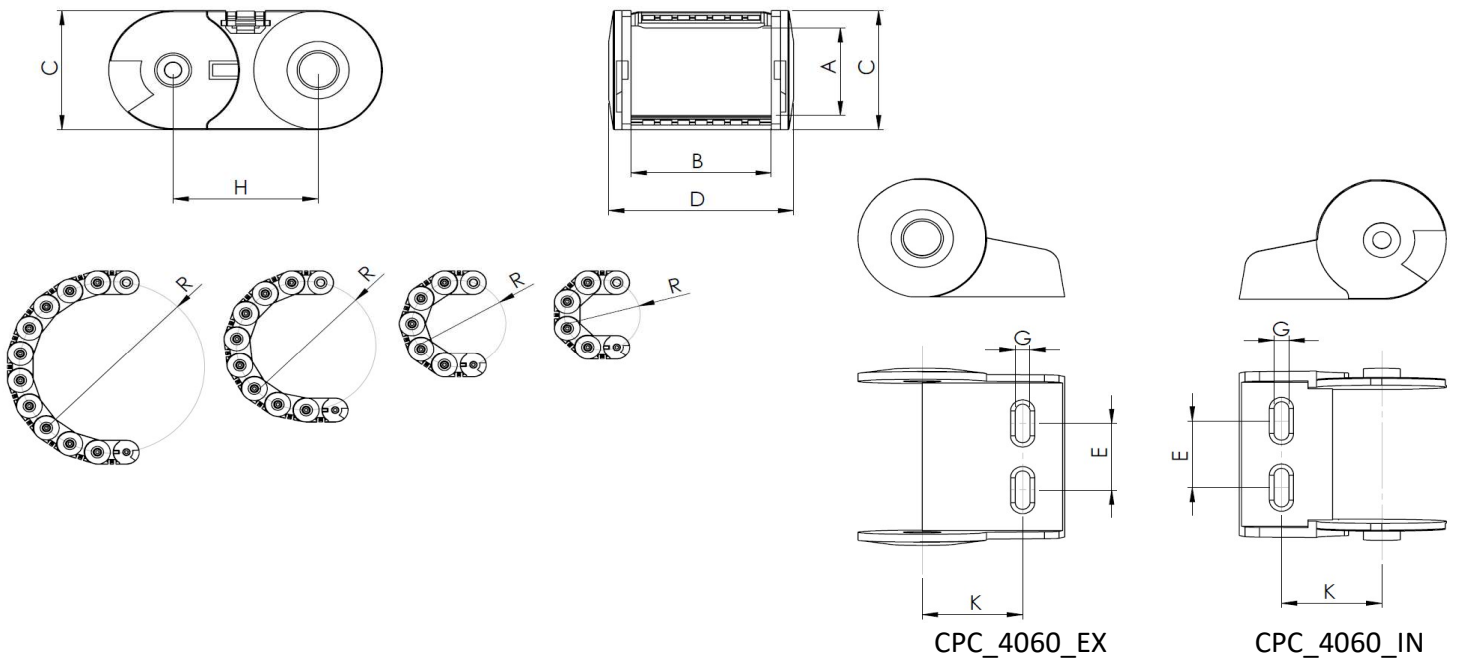


Technic-Achat

VOS BESOINS, NOS SERVICES

CPC_4060_200



A	B	C	D	R	E	F	G	H	K
INNER HEIGHT	INNER WIDTH	OUTER HEIGHT	OUTER WIDTH	BENDING RADIUS	ASSEMBLY		ASSEMBLY HOLE DIAMETER	PITCH	ASSEMBLY HOLE DISTANCE
40	60	55	79	(75-100 150-200)	31	-	6.3	62	43

PRODUCT EXPLANATION

Body :

-Material : Nylon6 %15CE

Support movement distance Lg maks.: 10,0 m

Vertical movement distance Lv maks.: 2,0 m

Operating Temperature : -30,0 120,0 °C