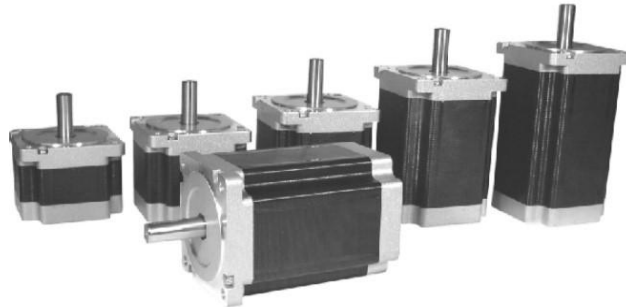


## MOTEUR PAS à PAS

### Nema 34

2 phase 1.8° step angle  
 hybrid stepping motor

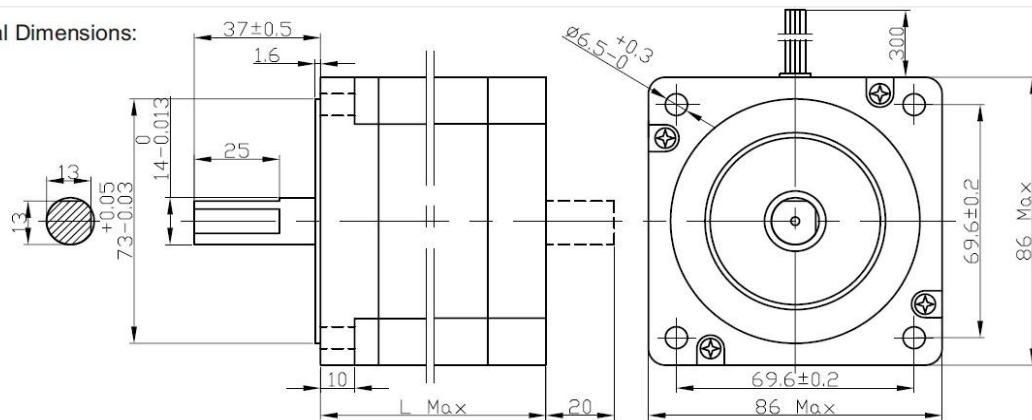


Specifications:

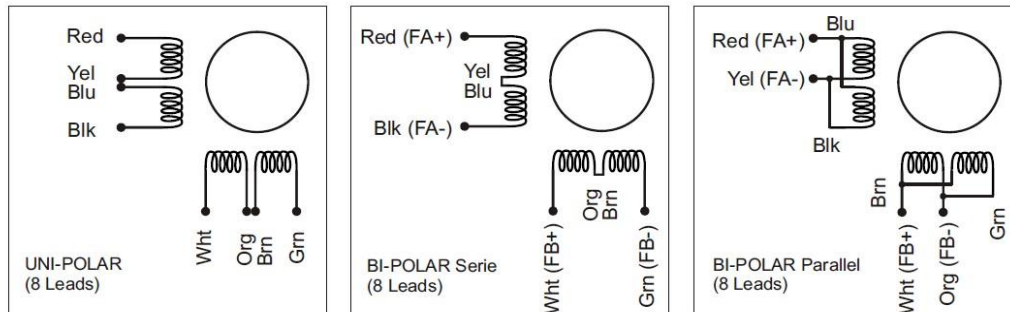
| Model           | Holding Torque (Nm) | Phase current (A) | Rotor Inertia (g/cm <sup>2</sup> ) | Motor Length L max (mm) | Detent Torque (Nm) | Phase Resistance (ohm) | Phase Inductance (mH) | Lead Wire (No) | Motor Weight (Kg) | Note          |
|-----------------|---------------------|-------------------|------------------------------------|-------------------------|--------------------|------------------------|-----------------------|----------------|-------------------|---------------|
| <b>M1343011</b> | 3.1                 | 5.6               | 850                                | 66                      | 0.055              | 0.26                   | 1.5                   | 8              | 1.9               | Bip. parallel |
| <b>M1343020</b> | 4.4                 | 5.6               | 1050                               | 78                      | 0.065              | 0.35                   | 2.8                   | 8              | 2.3               | Bip. parallel |
| <b>M1343021</b> | 4.4                 | 7.1               | 1050                               | 78                      | 0.065              | 0.21                   | 1.6                   | 8              | 2.3               | Bip. Parallel |
| <b>M1343031</b> | 6.8                 | 7.1               | 1550                               | 98                      | 0.095              | 0.26                   | 2.2                   | 8              | 3                 | Bip. Parallel |
| <b>M1343041</b> | 8.1                 | 7.1               | 1800                               | 114                     | 0.13               | 0.38                   | 3.2                   | 8              | 3.8               | Bip. parallel |
| <b>M1343050</b> | 9.2                 | 7.1               | 2200                               | 126                     | 0.19               | 0.43                   | 3.4                   | 8              | 4.1               | Bip. parallel |
| <b>M1343051</b> | 9.2                 | 10                | 2200                               | 126                     | 0.19               | 0.18                   | 1.6                   | 8              | 4.1               | Bip. Parallel |
| <b>M1343060</b> | 12.1                | 10                | 2500                               | 150                     | 0.25               | 0.21                   | 2.2                   | 8              | 5                 | Bip. Parallel |
| <b>M1343061</b> | 12.1                | 12                | 2500                               | 150                     | 0.25               | 0.17                   | 1.8                   | 8              | 5                 | Bip. parallel |

Double shaft and custom windings available

Mechanical Dimensions:  
 Unit: mm

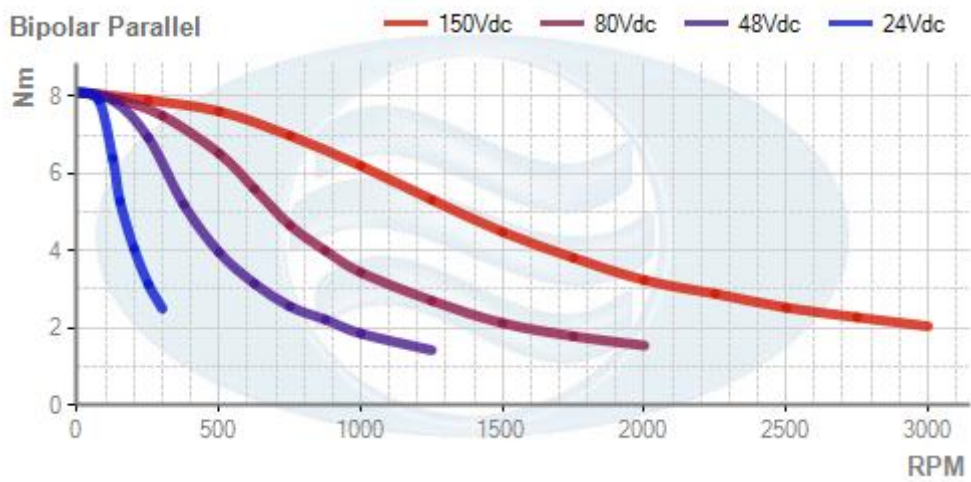
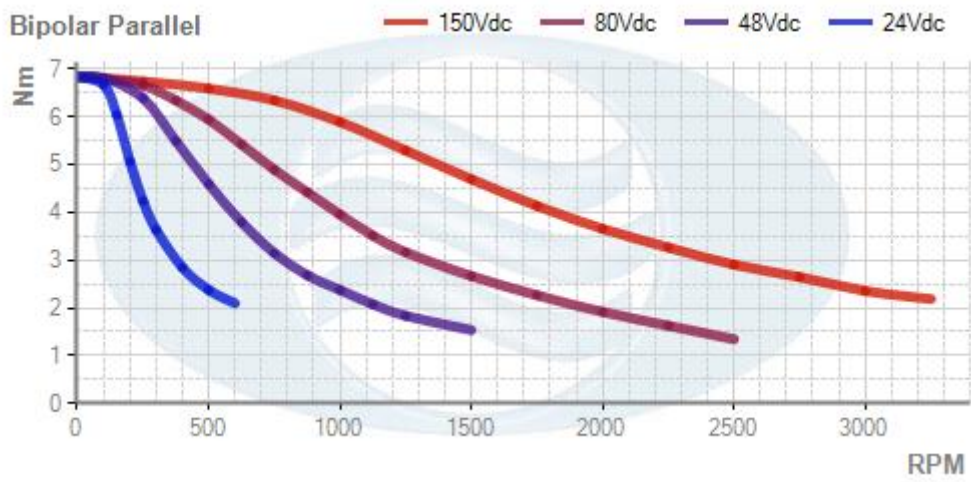
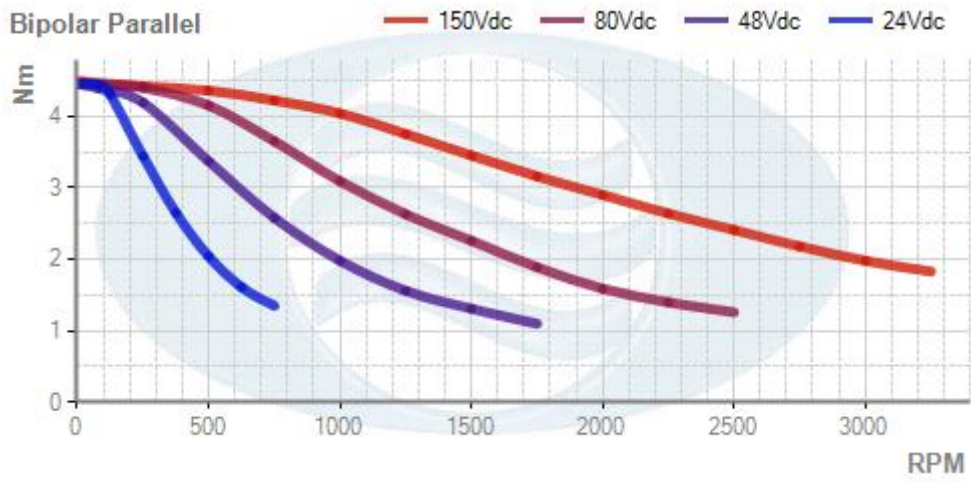


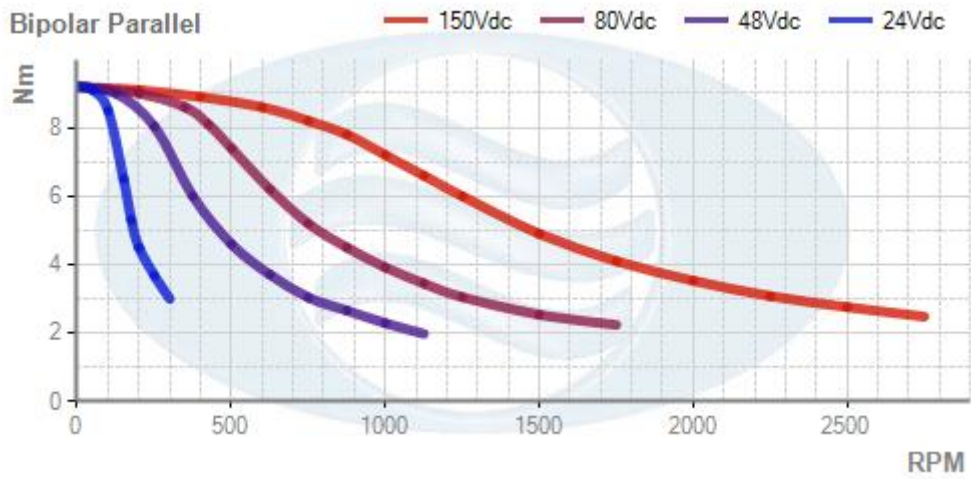
Wiring Diagram:



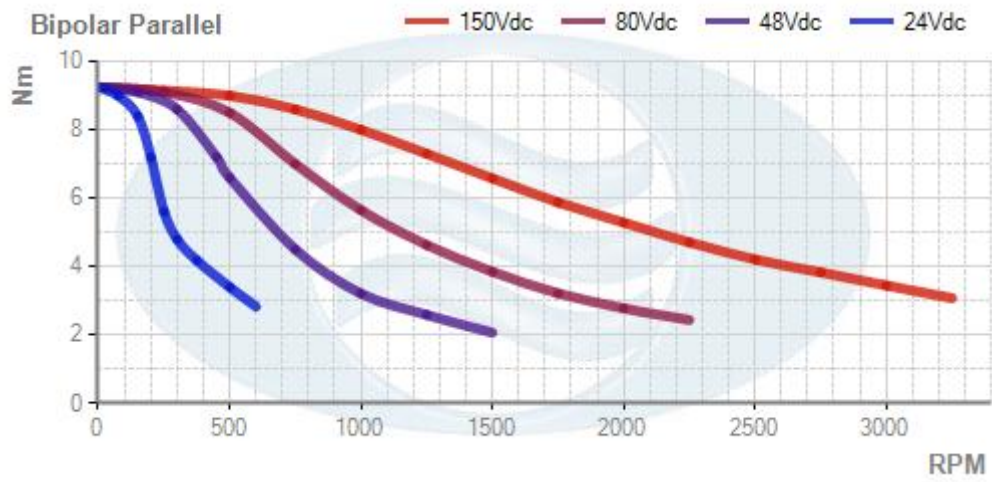
www.technic-achat.com

Courbes du couple en fonction de la vitesse sachant la tension d'alimentation :





**M1343051**



**M1343060**

