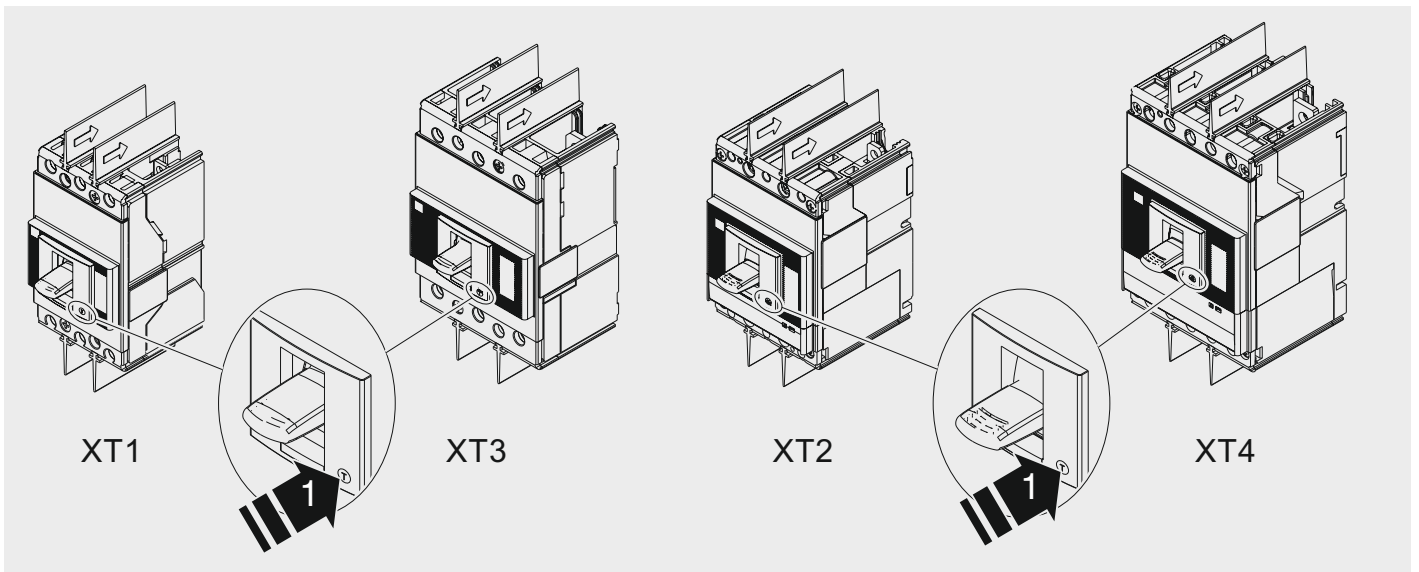


# SACE Tmax XT

RHE / RHE PADLOCK - Comando a maniglia rotante rinviato.  
 RHE / RHE PADLOCK - Rotary handle operating mechanism door mounted.  
 RHE / RHE PADLOCK - Drehhebelantrieb Übertragen.  
 RHE / RHE PADLOCK - Commande par poignée rotative renvoyée.  
 RHE / RHE PADLOCK - Mando giratorio reenviado.  
 RHE / RHE PADLOCK - 柜门安装旋转手柄操作机构

XT1 - XT2 - XT3 - XT4/III - IV



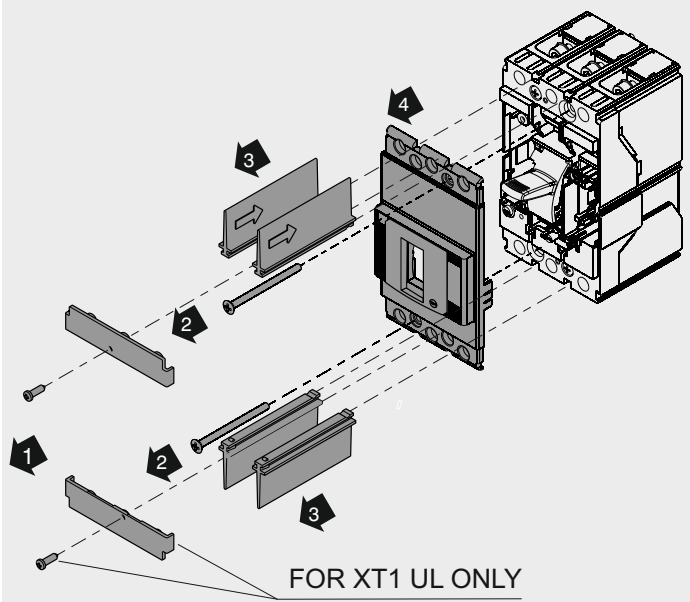
## RHE

F - P	1	1	4	2	2	1	1	1	0	0	0
W	1	1	4	2	2	1	1	0	1	1	1

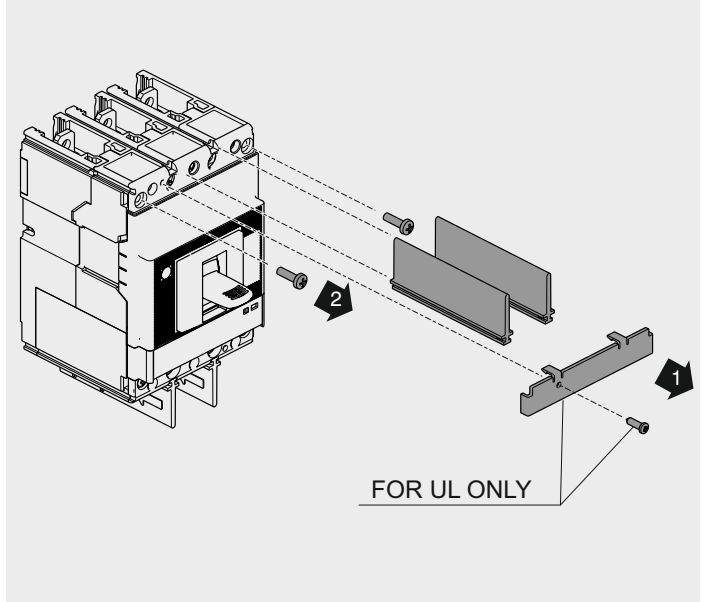
## RHE PADLOCK

F - P	1	1	4	2	2	1	1	1	0	0	0
W	1	1	4	2	2	1	1	0	1	1	1

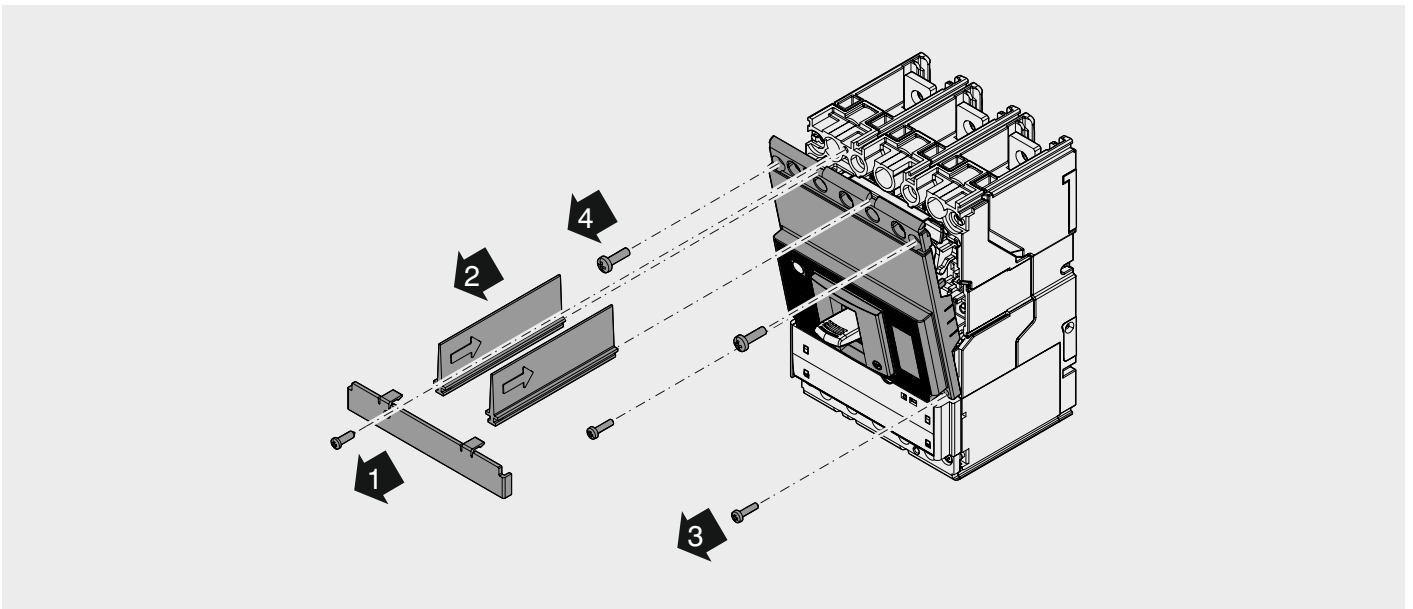
1 ONLY FOR XT1 F - XT3 F



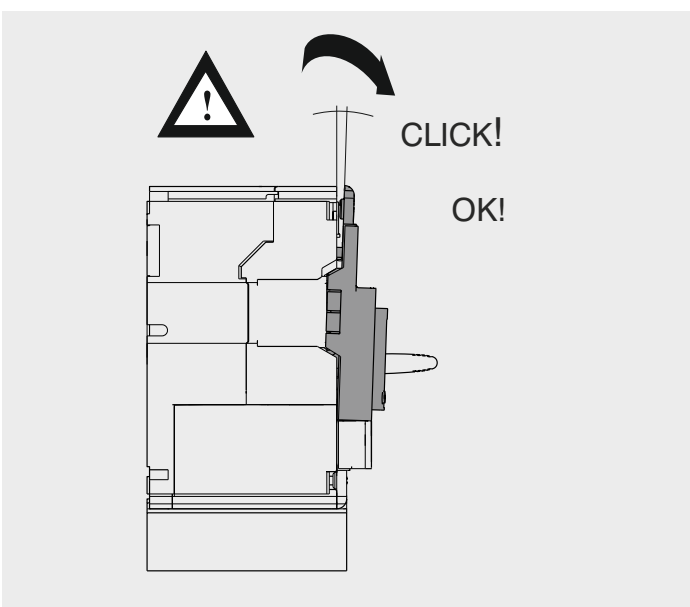
2 ONLY FOR XT2 F - XT4 F



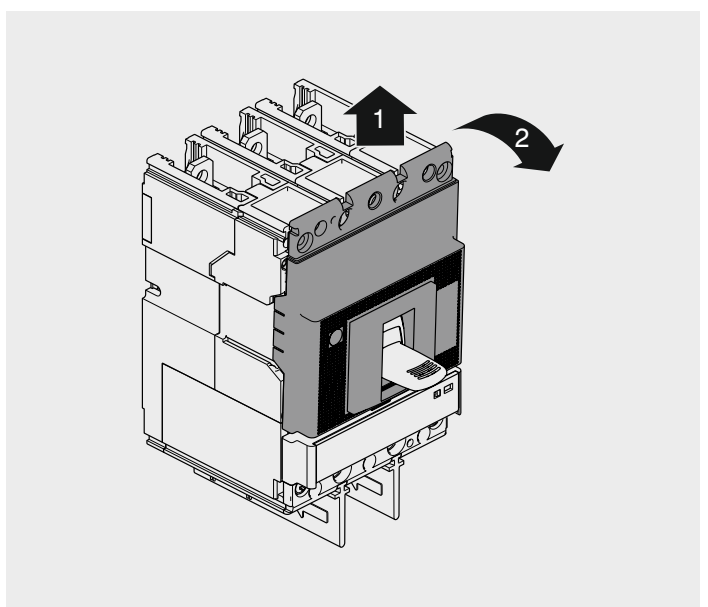
3 XT4 V - X ONLY



4 ONLY FOR XT2 F/P - XT4 F/P

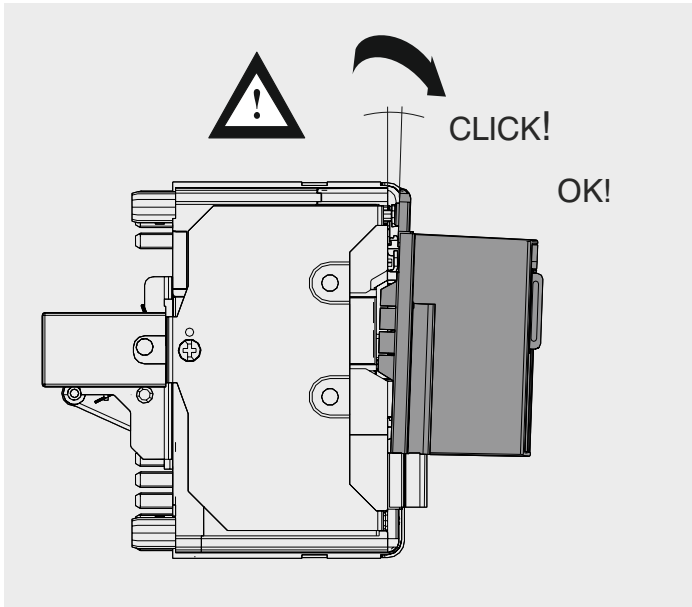


5 ONLY FOR XT2 F/P - XT4 F/P



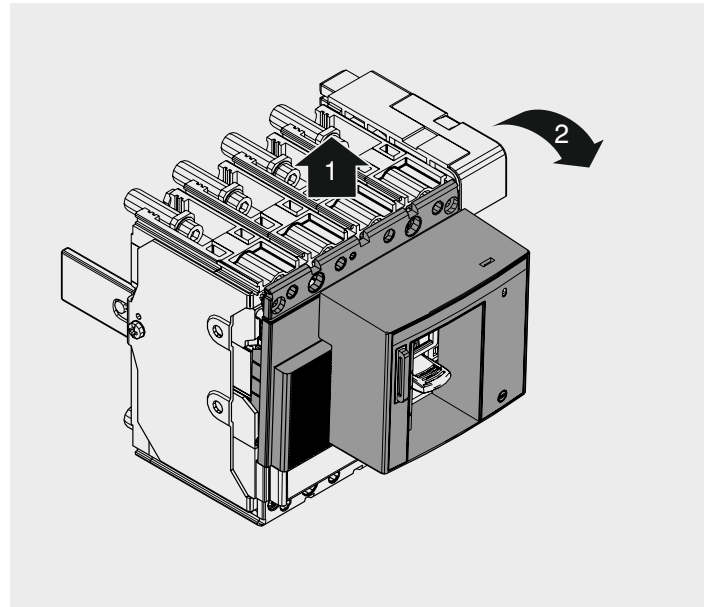
6

ONLY FOR XT2 W - XT4 W



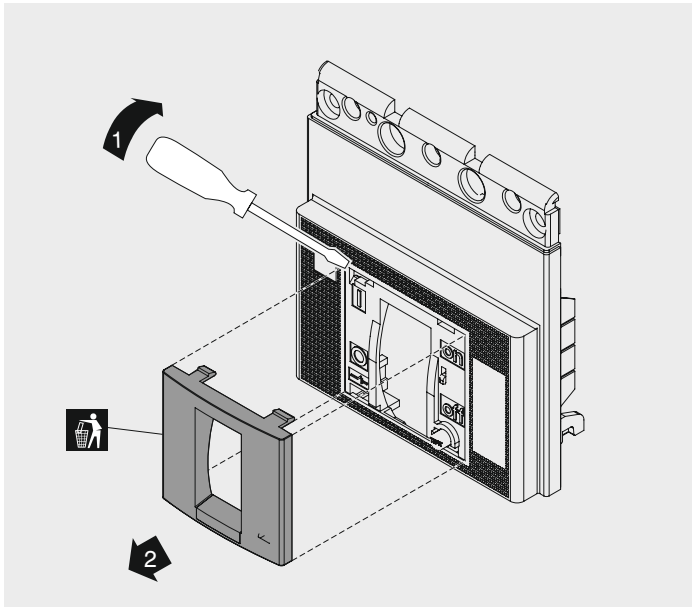
7

ONLY FOR XT2 W - XT4 W



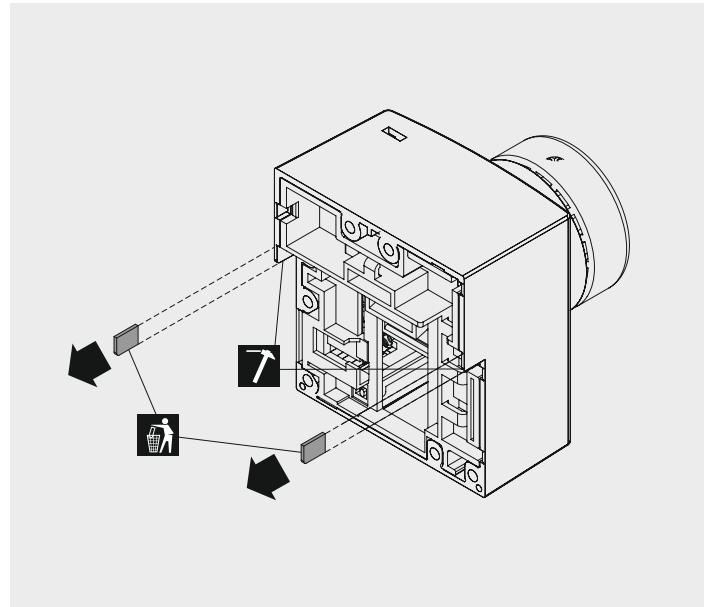
8

XT1 - XT2 - XT3 - XT4/III - IV



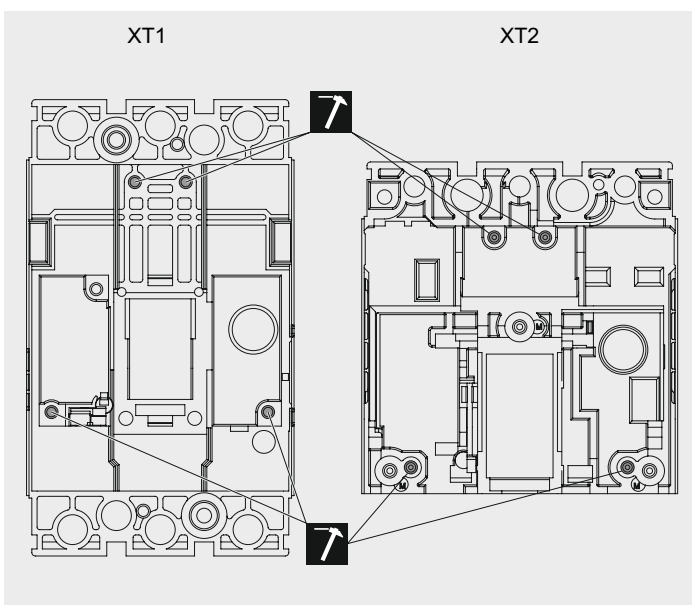
9

ONLY FOR XT2 - XT4



10

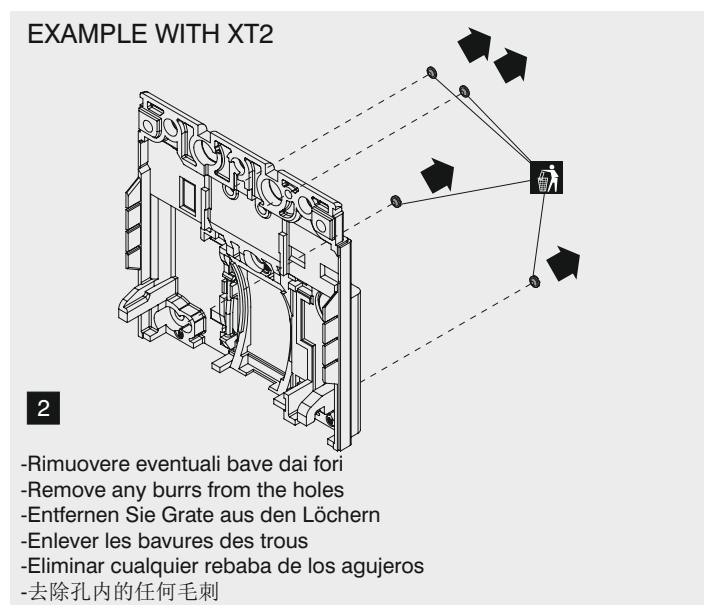
XT1 - XT2



11

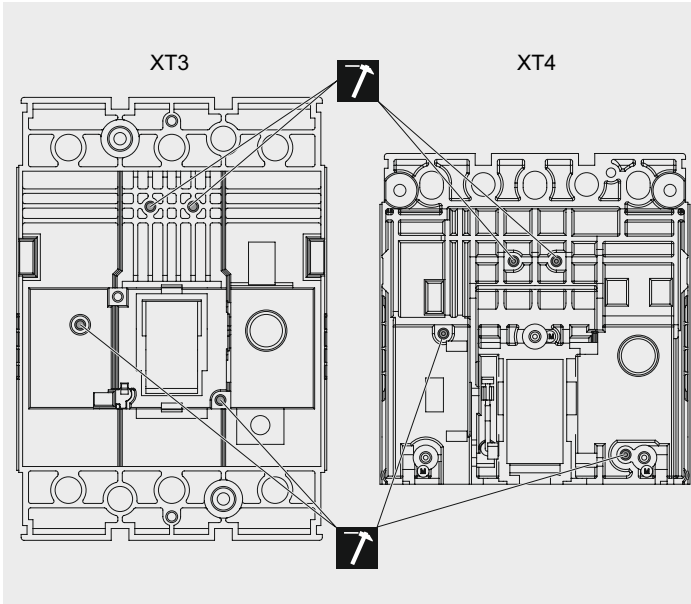
XT1 - XT2

EXAMPLE WITH XT2



12

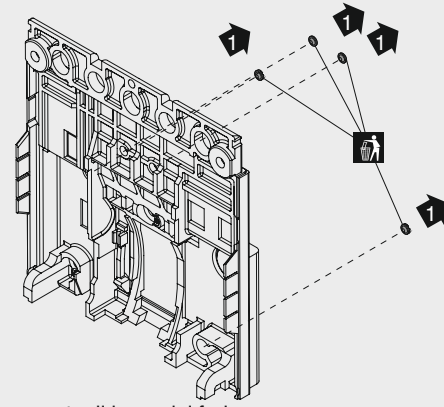
XT3 - XT4



13

XT3 - XT4

EXAMPLE WITH XT4

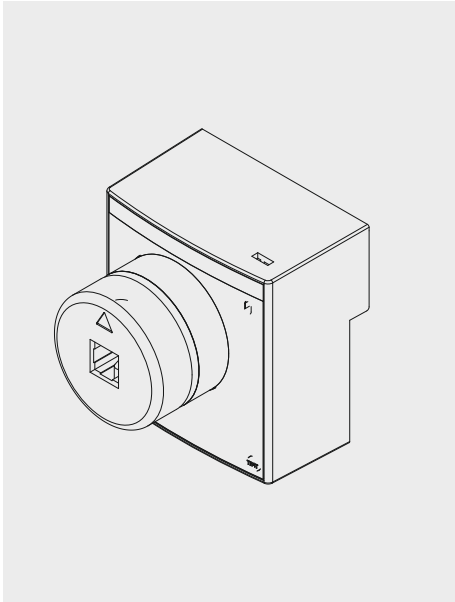


2

- Rimuovere eventuali bave dai fori
- Remove any burrs from the holes
- Entfernen Sie Grate aus den Löchern
- Enlever les bavures des trous
- Eliminar cualquier rebaba de los agujeros
- 去除孔内的任何毛刺

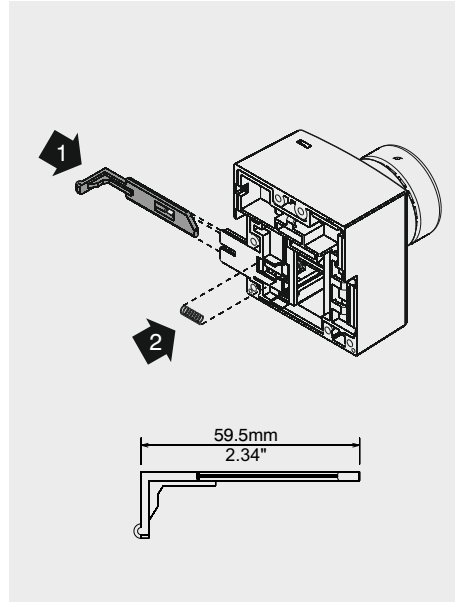
14

XT1 - XT2 - XT3 - XT4/F - P



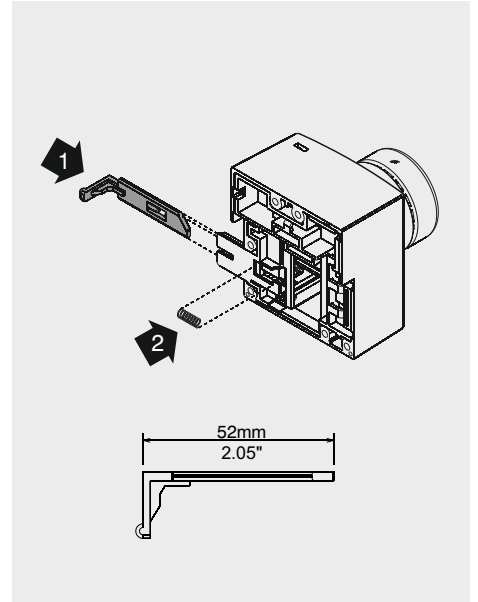
15

XT4 W ONLY



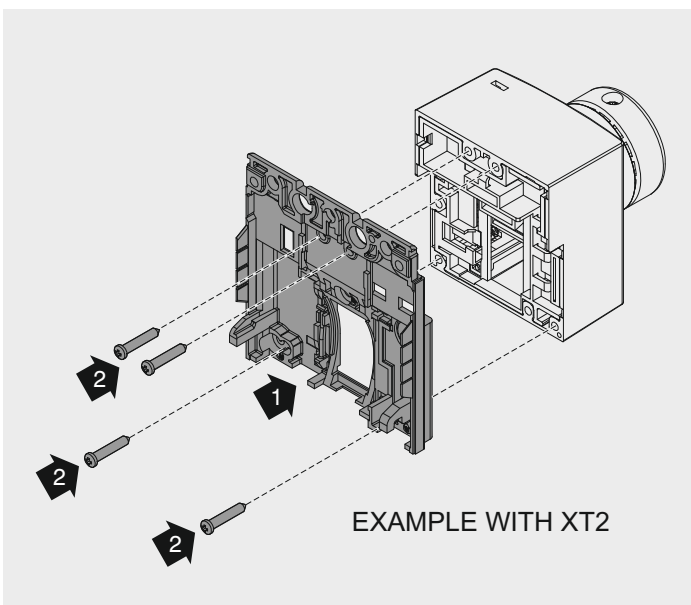
16

XT2 W ONLY



17

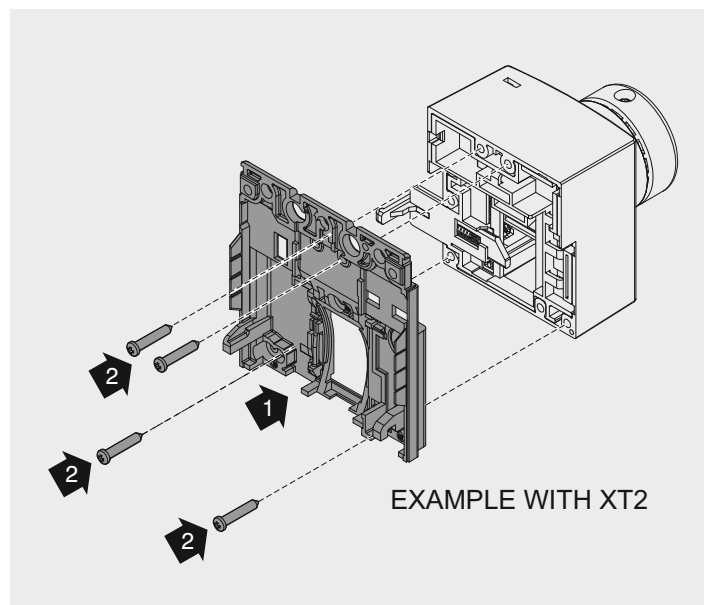
XT1 - XT2 - XT3 - XT4/F - P



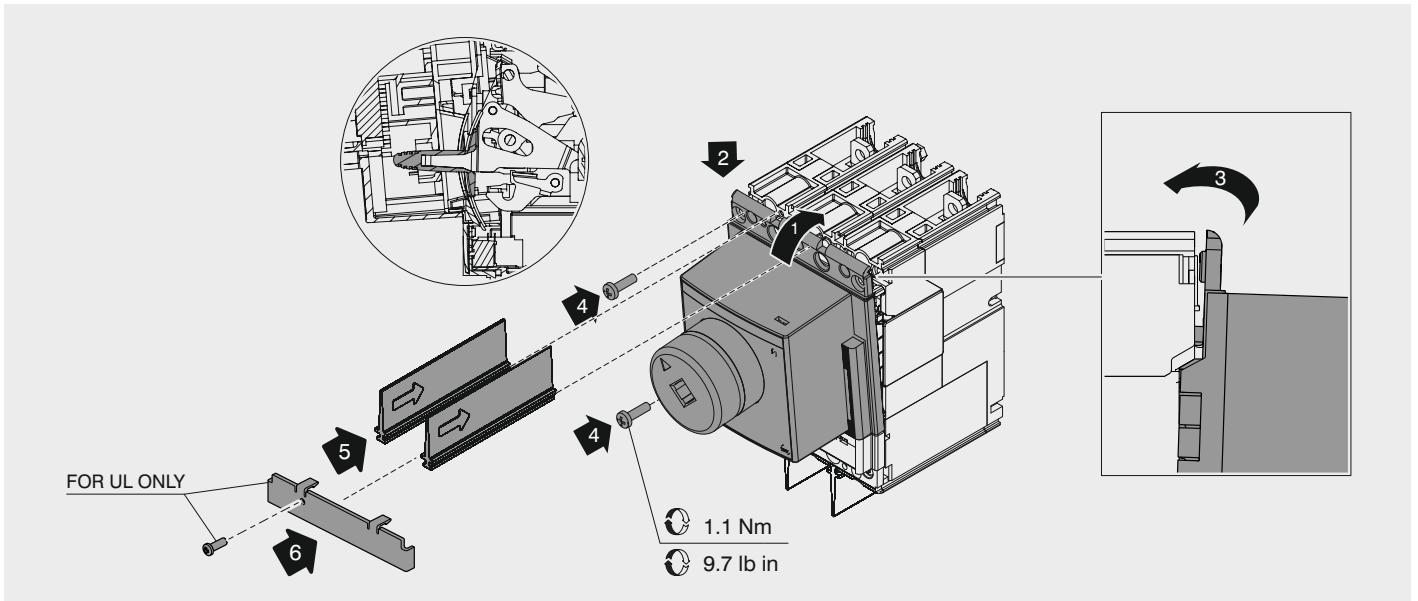
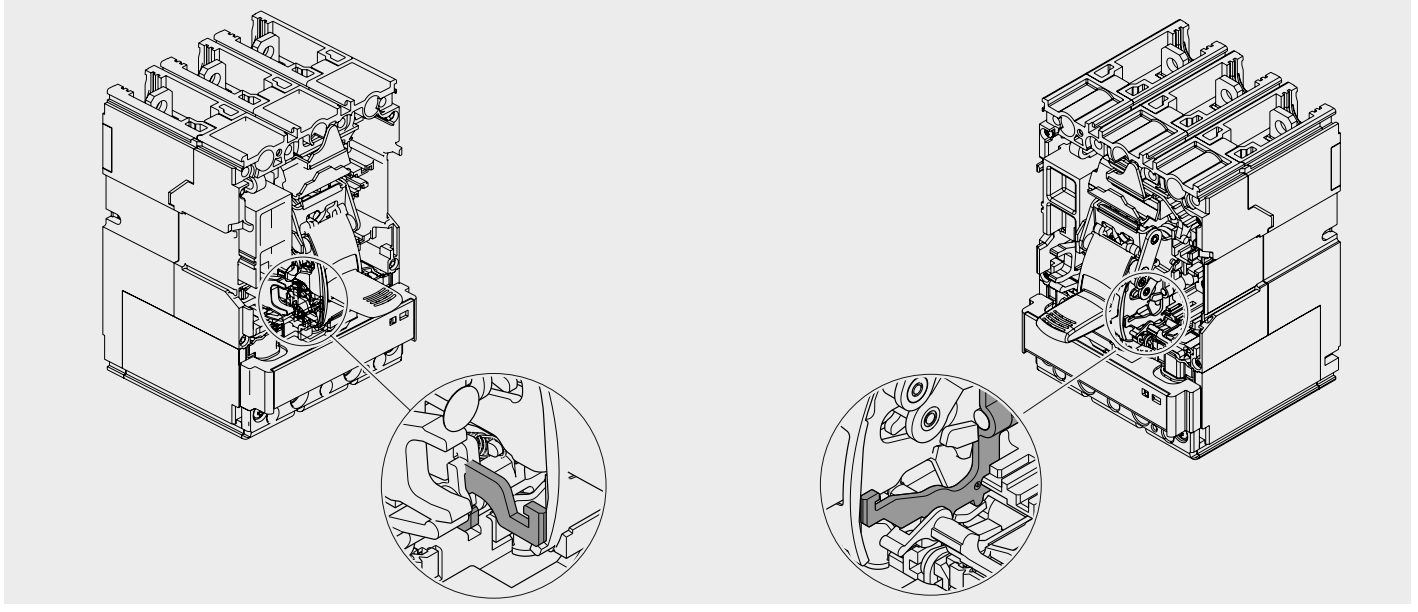
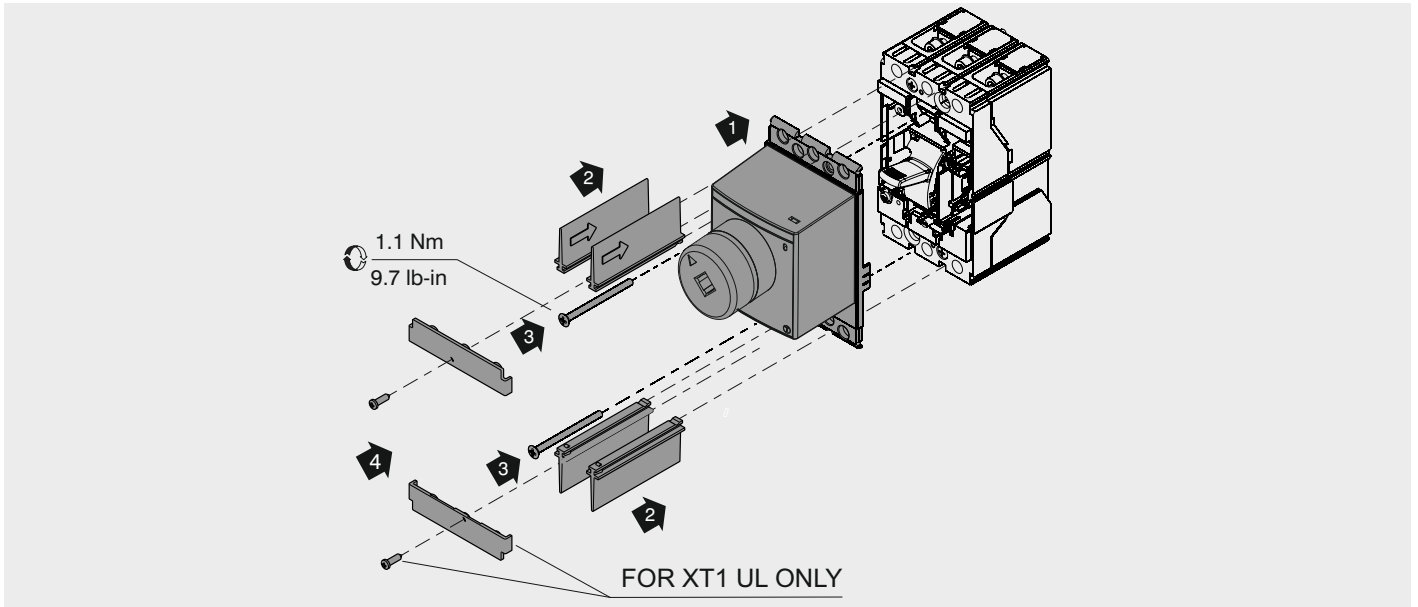
EXAMPLE WITH XT2

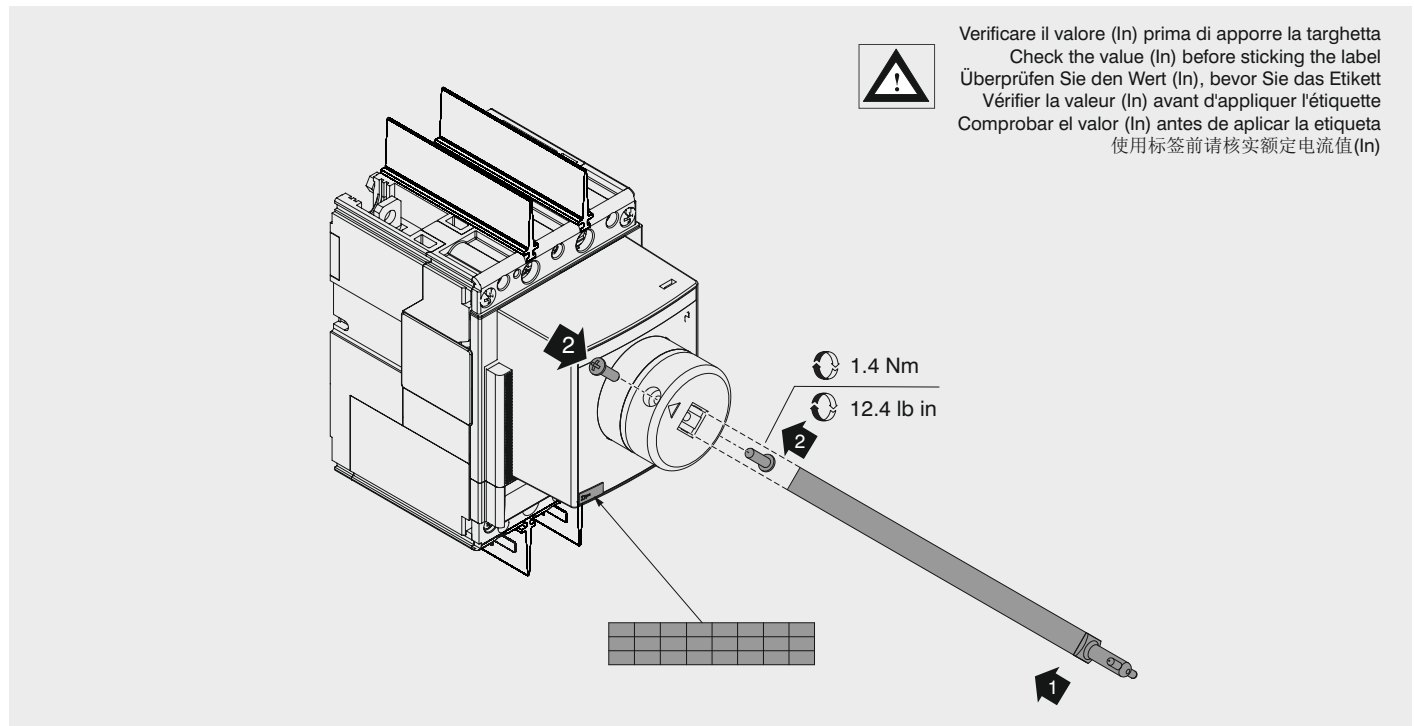
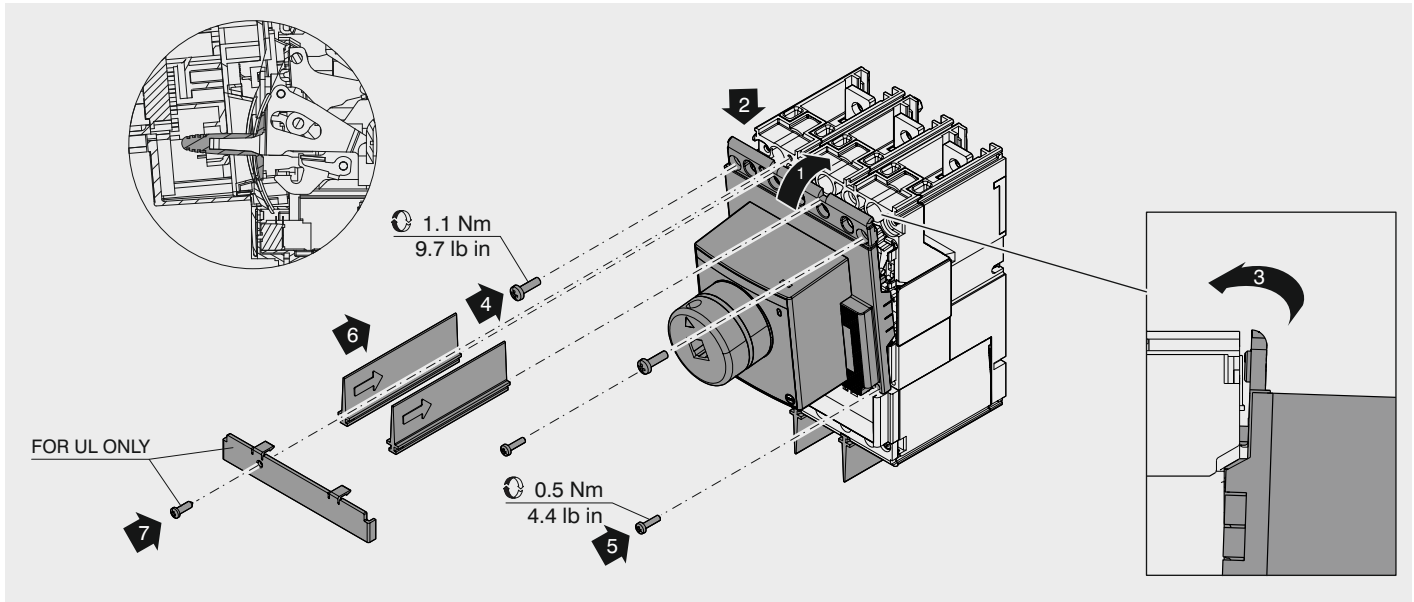
18

XT2 - XT4/W

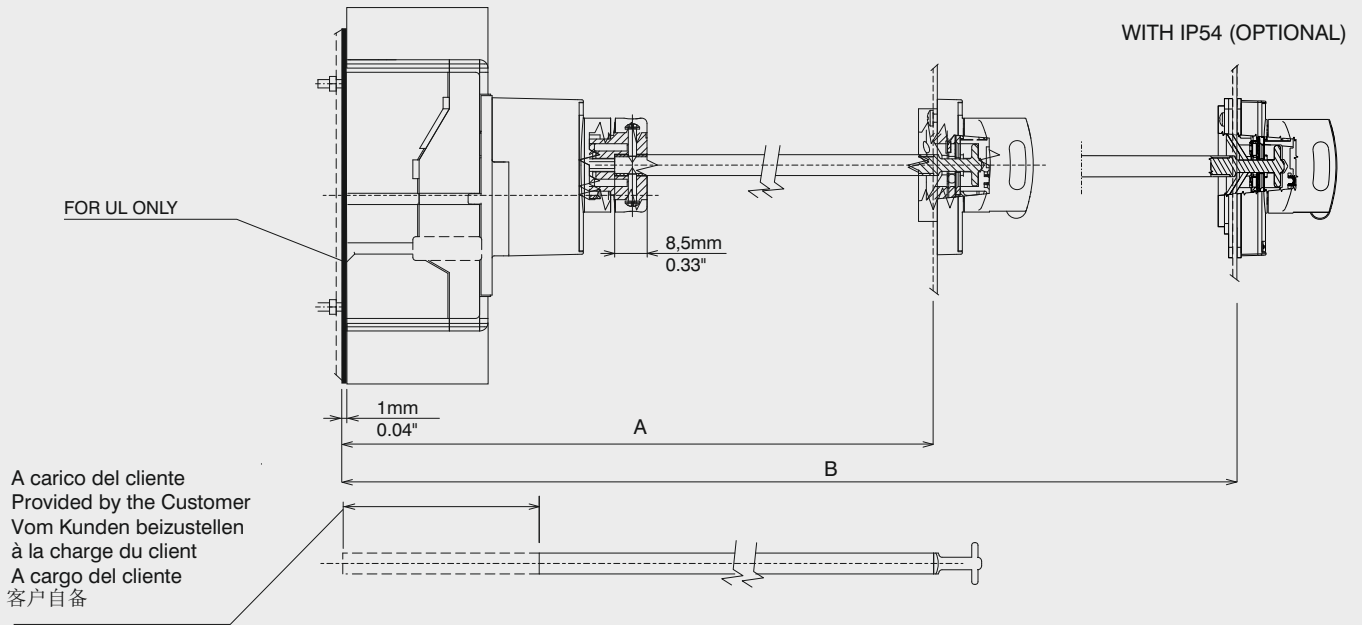


EXAMPLE WITH XT2





Per il montaggio IP54 consultare il foglio kit 1SDH000719R0645  
 Consult the kit sheet 1SDH000719R0645 for IP54 assembly instructions  
 Für die Montage IP54 benutzen Sie bitte das Blatt von Bausatz 1SDH000719R0645  
 Pour le montage consulter la fiche kit 1SDH000719R0645  
 Para el montaje IP54 consultar la hoja kit 1SDH000719R0645  
 请参阅套件表 1SDH000719R0645 以获取 IP54 组装说明



RHE (IEC)	
A	
MIN	MAX
[mm - in]	[mm - in]
XT1 - XT3	158.5 - 6.24" 568.5 - 22.38"
XT2 - XT4	171 - 6.63" 581 - 22.87"

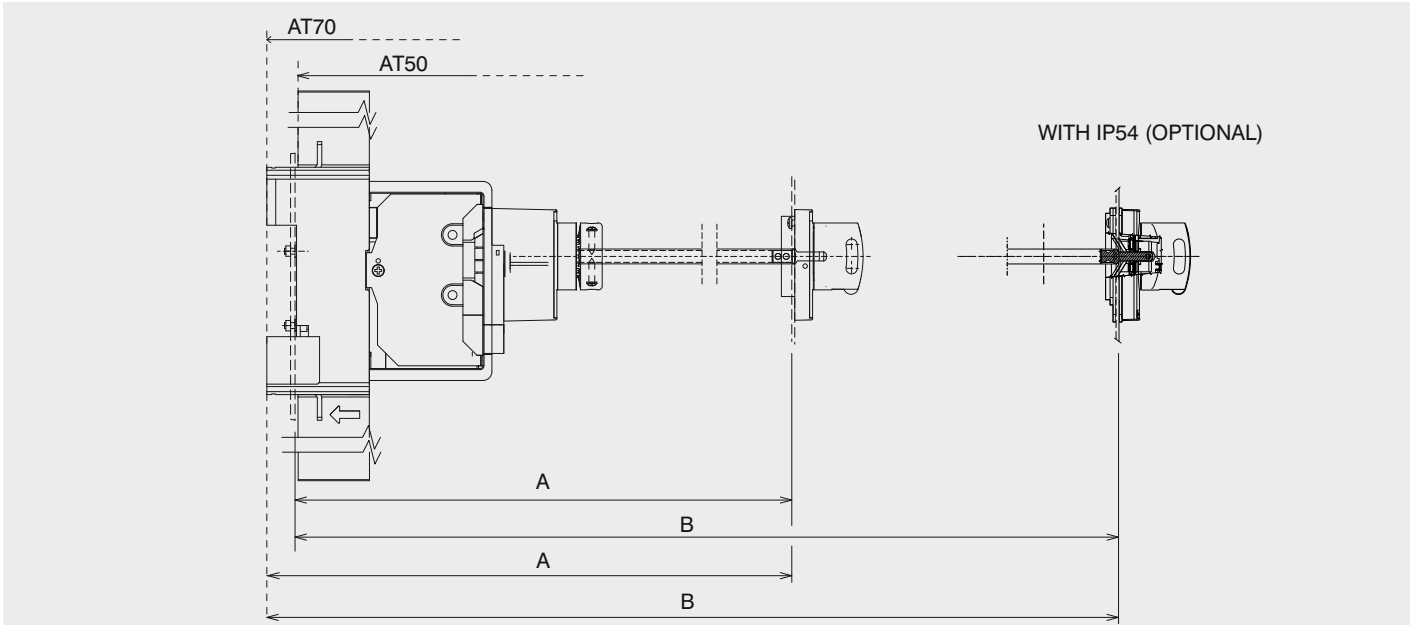
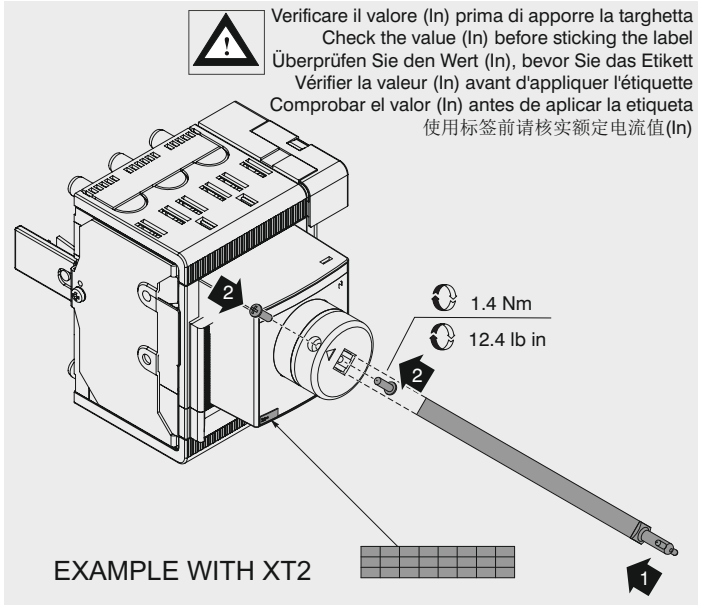
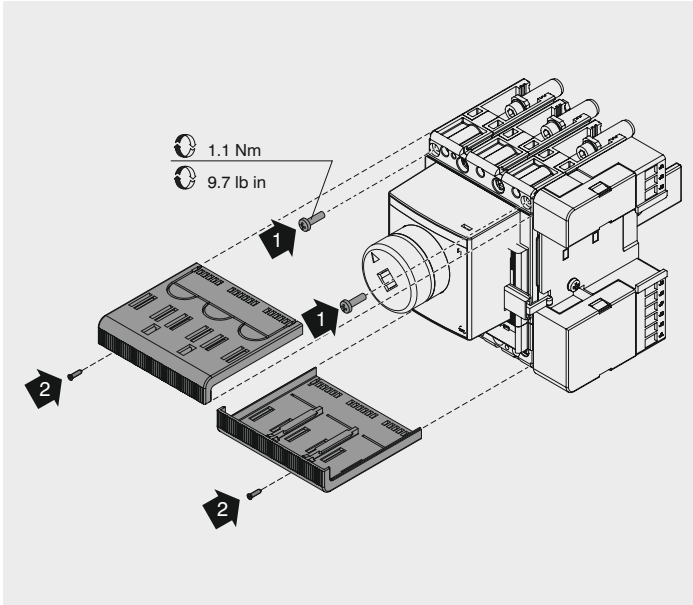
RHE (UL)	
A	
MIN	MAX
[mm - in]	[mm - in]
XT1 - XT3	159.5 - 6.27" 569.5 - 22.42"
XT2 - XT4	172 - 6.77" 582 - 22.91"

RHE PADLOCK (UL)	
A	
MIN	MAX
[mm - in]	[mm - in]
XT1 - XT3	175.45 - 6.9" 585.45 - 23.05"
XT2 - XT4	187.95 - 7.4" 597.95 - 23.54"

RHE (IEC) + IP54	
B	
MIN	MAX
[mm - in]	[mm - in]
XT1 - XT3	193.5 - 7.61" 568.5 - 22.38"
XT2 - XT4	206 - 8.11" 581 - 22.87"

RHE (UL) + IP54	
B	
MIN	MAX
[mm - in]	[mm - in]
XT1 - XT3	194.5 - 7.65" 569.5 - 22.42"
XT2 - XT4	207 - 8.15" 582 - 22.91"

RHE PADLOCK (UL) + IP54	
B	
MIN	MAX
[mm - in]	[mm - in]
XT1 - XT3	210.45 - 8.28" 585.45 - 23.05"
XT2 - XT4	222.95 - 8.77" 597.95 - 23.54"



A carico del cliente  
 Provided by the Customer  
 Vom Kunden beizustellen  
 à la charge du client  
 A cargo del cliente  
 客户自备

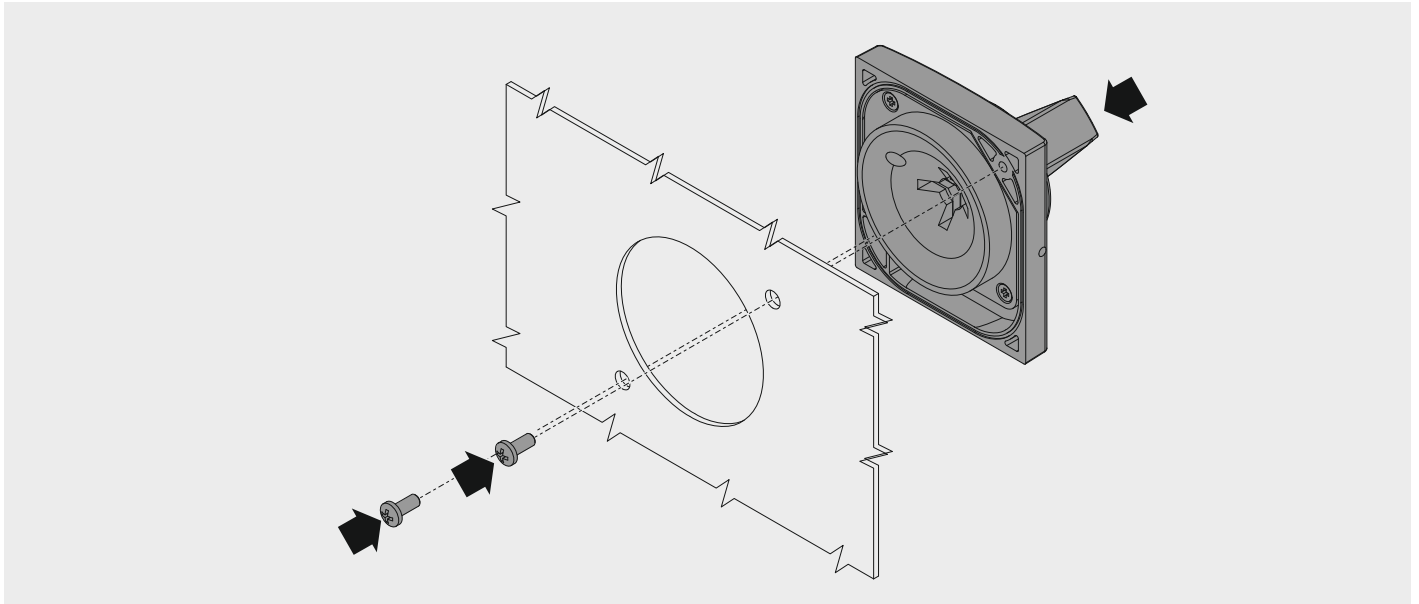
		RHE (IEC/UL)	
		A	
MOUNTING		MIN [mm - in]	MAX [mm - in]
XT1 - XT3	AT 50 - 1.97"	208.5 - 8.21"	618.5 - 24.35"
P	AT 70 - 2.76"	228.5 - 9.00"	638.5 - 25.14"
XT2 - XT4	AT 50 - 1.97"	221 - 8.70"	631 - 24.84"
P - W	AT 70 - 2.76"	241 - 9.49"	651 - 25.63"

		RHE (IEC/UL) + IP54	
		B	
MOUNTING		MIN [mm - in]	MAX [mm - in]
XT1 - XT3	AT 50 - 1.97"	243.5 - 9.59"	618.5 - 24.35"
P	AT 70 - 2.76"	263.5 - 10.37"	638.5 - 25.14"
XT2 - XT4	AT 50 - 1.97"	256 - 10.08"	631 - 24.84"
P - W	AT 70 - 2.76"	276 - 9.87"	651 - 25.63"

		RHE PADLOCK (UL)	
		A	
MOUNTING		MIN [mm - in]	MAX [mm - in]
XT1 - XT3	AT 50 - 1.97"	224.45 - 8.84"	634.45 - 24.98"
P	AT 70 - 2.76"	244.45 - 9.62"	654.45 - 25.77"
XT2 - XT4	AT 50 - 1.97"	236.95 - 9.32"	646.95 - 25.47"
P - W	AT 70 - 2.76"	256.95 - 10.12"	666.95 - 26.26"

		RHE PADLOCK (UL) + IP54	
		B	
MOUNTING		MIN [mm - in]	MAX [mm - in]
XT1 - XT3	AT 50 - 1.97"	259.45 - 10.21"	634.45 - 24.98"
P	AT 70 - 2.76"	279.45 - 11.00"	654.45 - 25.77"
XT2 - XT4	AT 50 - 1.97"	271.95 - 10.71"	646.95 - 25.47"
P - W	AT 70 - 2.76"	291.95 - 11.49"	666.95 - 26.26"

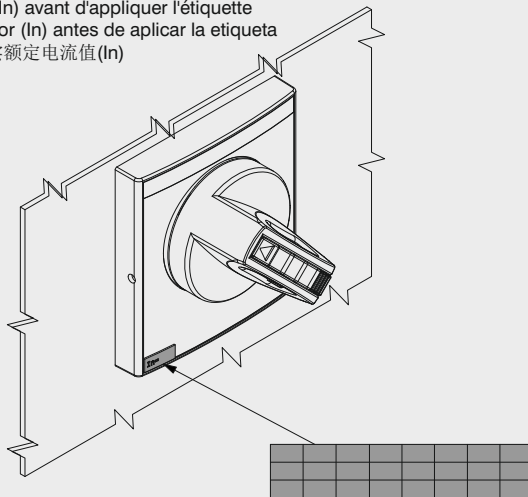




30

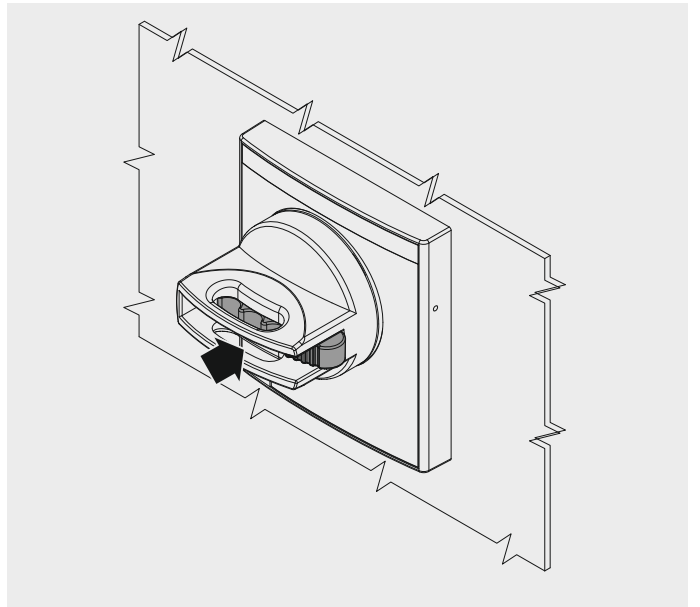
FOR ALL

Verificare il valore (In) prima di apporre la targhetta  
 Check the value (In) before sticking the label  
 Überprüfen Sie den Wert (In), bevor Sie das Etikett  
 Vérifier la valeur (In) avant d'appliquer l'étiquette  
 Comprobar el valor (In) antes de aplicar la etiqueta  
 使用标签前请核实额定电流值(In)



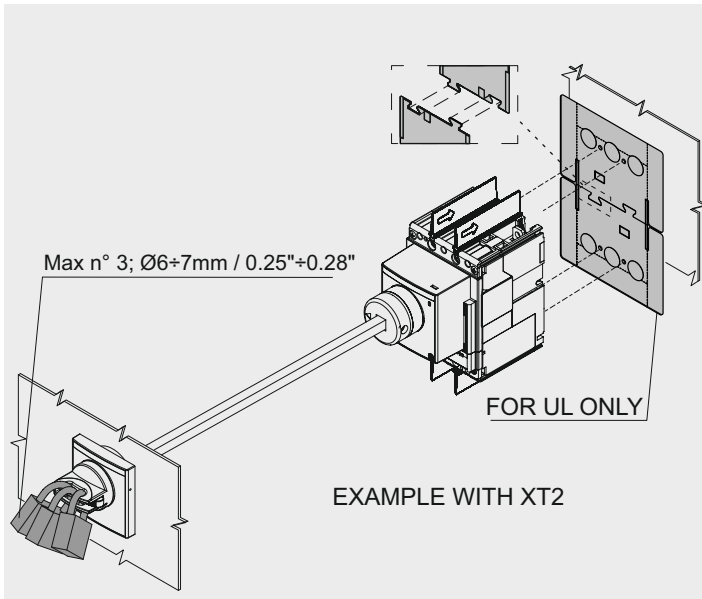
31

FOR ALL



32

XT1 - XT2 - XT3 - XT4/F - P



33

XT2 - XT4/W

