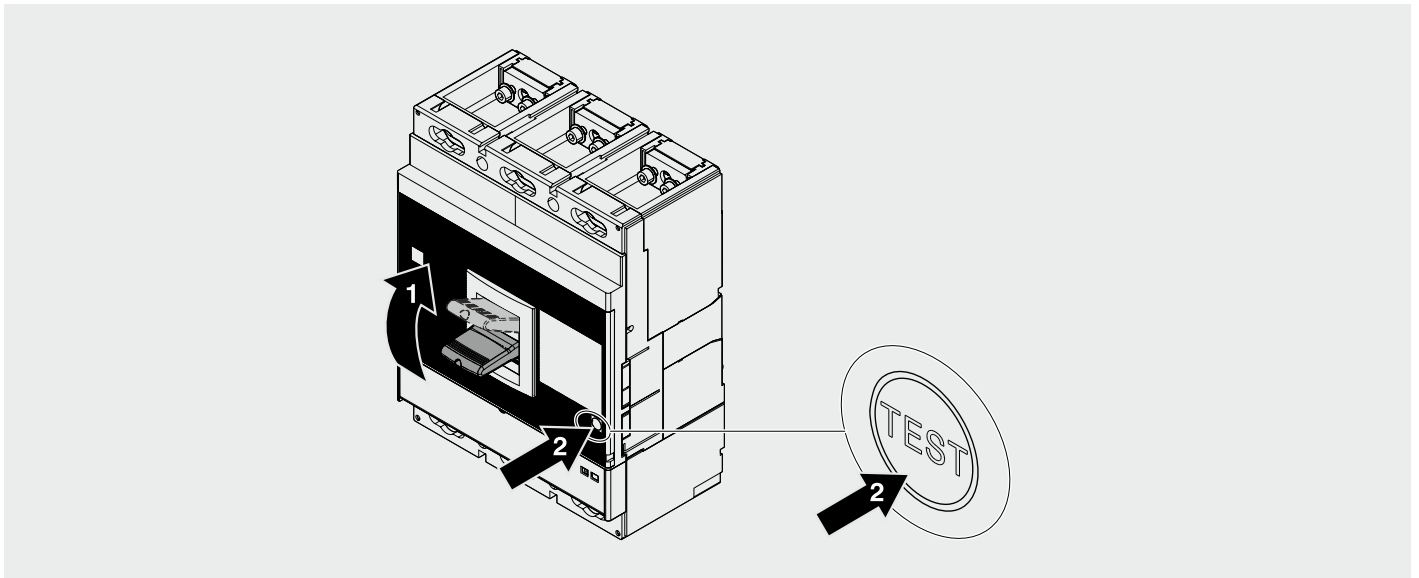


SACE Tmax XT

- RHE - Comando a maniglia rotante rinviato XT6
- RHE - Rotary handle operating mechanism door mounted XT6
- RHE - Drehhebelantrieb Ubertragen XT6
- RHE - Commande par poignée rotative renvoyée XT6
- RHE - Mando giratorio reenviado XT6
- RHE - 柜门安装旋转手柄操作机构 XT6

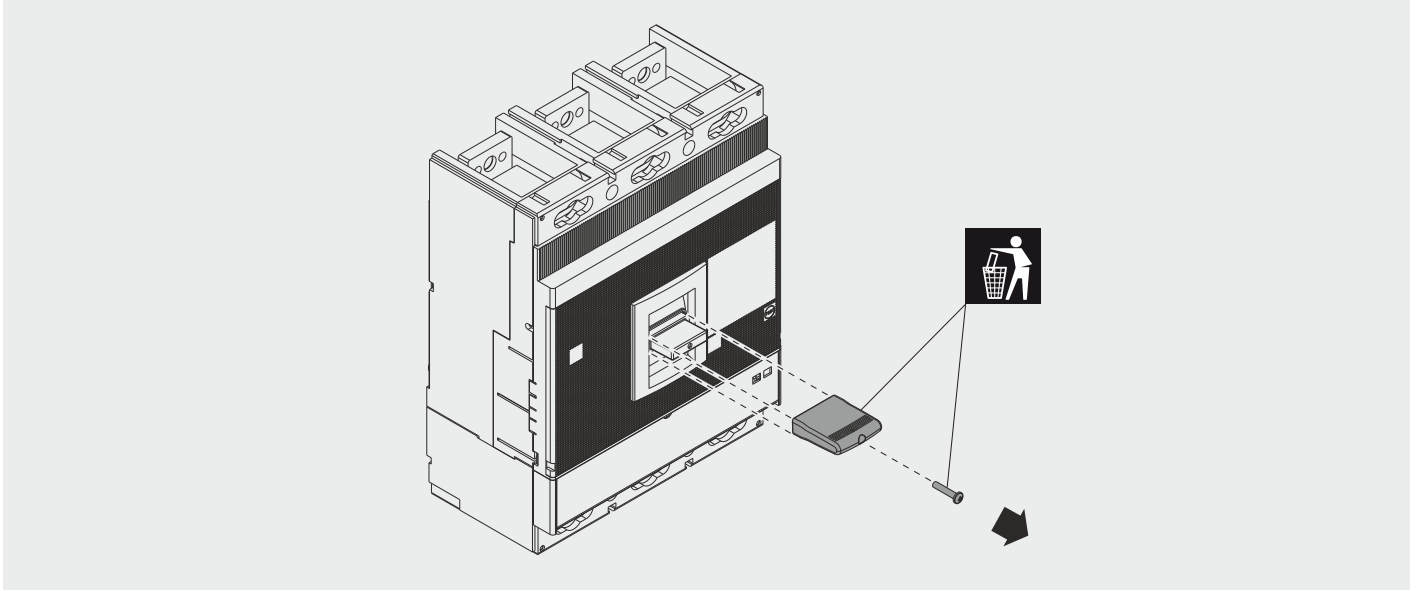
XT6



					 Only for Withdrawable			
RHE	1	1	1	1	1	1	2	4
RHE-B	1				1		1	

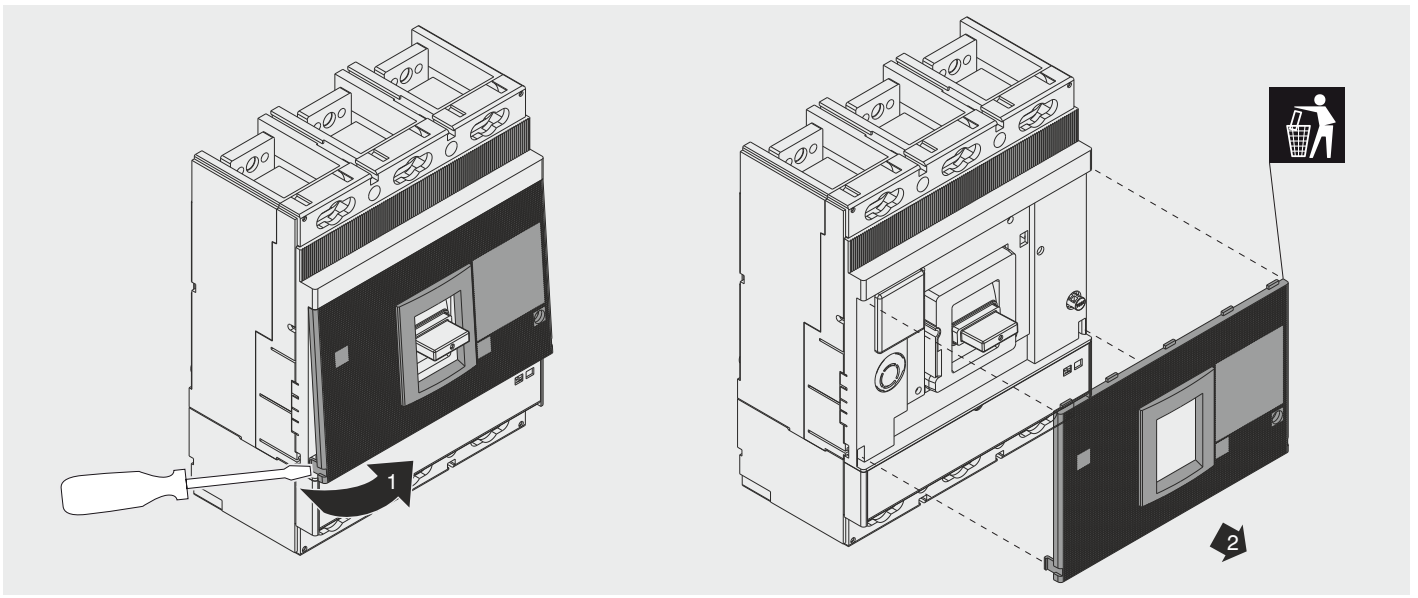
1

XT6 F/W



2

XT6 F/W



3

