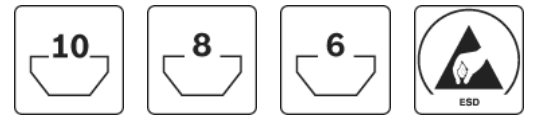


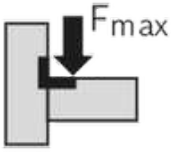
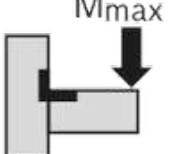
Inner bracket R



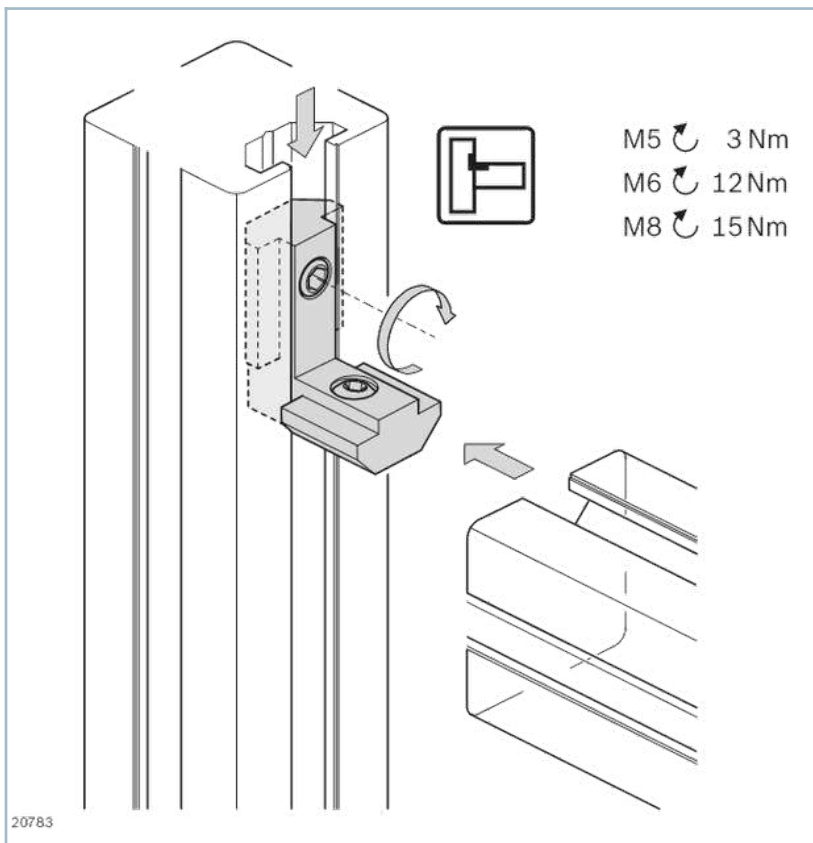
- Profile finishing: not required

- For elegant, easy-to-assemble profile connections
- Especially suitable for constructing frames for doors, protective grilles, or partition walls

Technical data

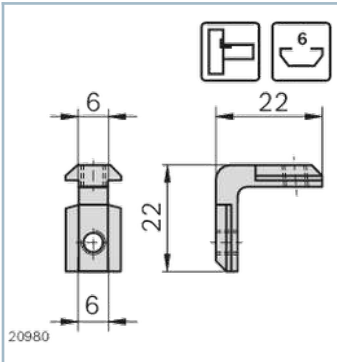
Nut		
6 / 6	600 N	10 Nm
6 / 8	600 N	10 Nm
8 / 8	2500 N	50 Nm
8 / 10	2500 N	50 Nm
10 / 10	3000 N	100 Nm

Fields of application

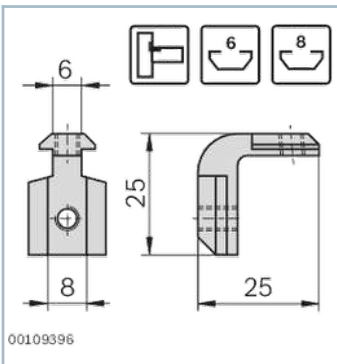


Dimensions

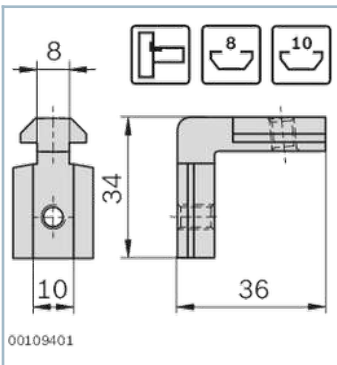
Inner bracket R, slot 6/6



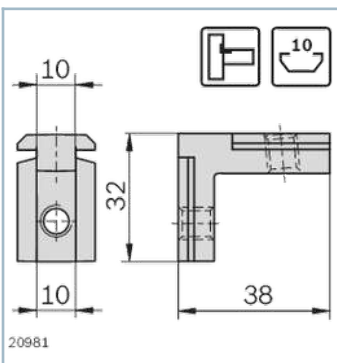
Inner bracket R, slot 6/8



Inner bracket R, slot 8/10









Inner bracket R, slot 10/10









Delivery notes

Fastening material (FS)

3842535575	2x	 DIN 913 M5x5		
3842535573	2x	 DIN 913 M5x5		
3842535577	2x	 DIN 913 M6x8		
3842535576	1x	 DIN 913 M6x8	1x	 DIN 913 M6x12
3842535571	2x	 DIN 913 M8x12		

Ordering codes

	Groove		ESD	FS	No.
Inner bracket R, N6/6	6	10		2xFS1	3842535575
Inner bracket R, N6/8	6; 8	10		2xFS1	3842535573
Inner bracket R, N8/8	8	10		2xFS2	3842535577
Inner bracket R, N8/10	8; 10	10		FS2, FS3	3842535576
Inner bracket R, N10/10	10	10		2xFS4	3842535571

1) Incl. fastening material