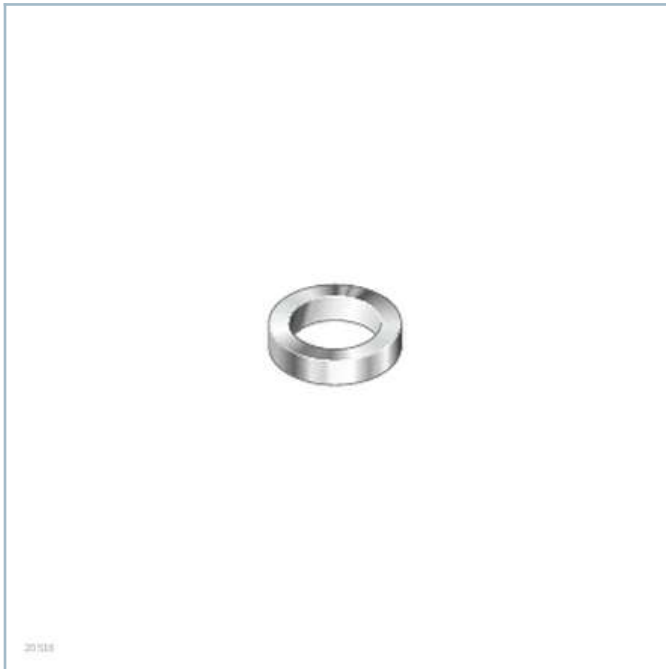


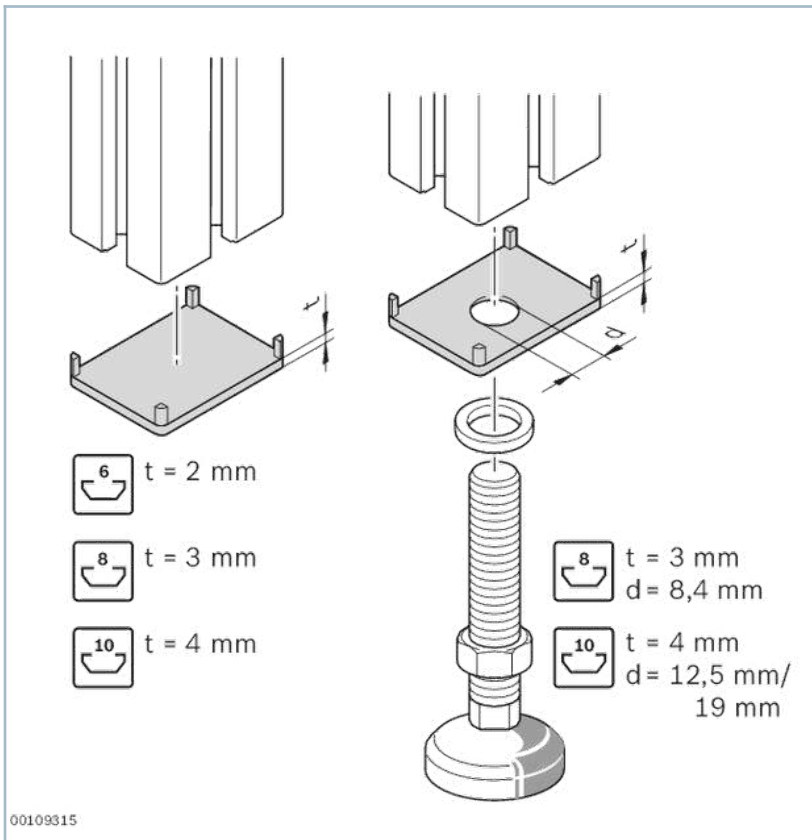
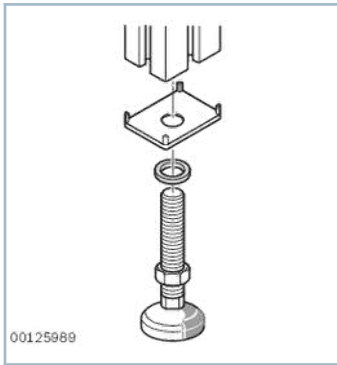


## Bearing ring



- For cover caps with hole in the sizes 40x40, 45x45, 50x50 and 60x60
- For M12 threads
- To protect the caps when tightening accessories

## Product description



Introduction to strut profiles

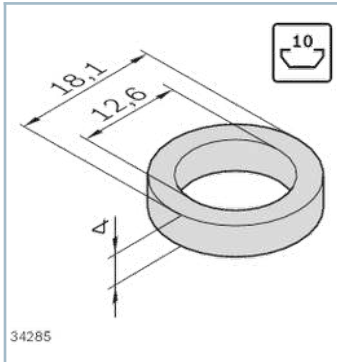
## Technical data

### Material

diecast zinc

# Dimensions

## Bearing ring



## Ordering codes

		No.
Bearing ring	100	3842555653