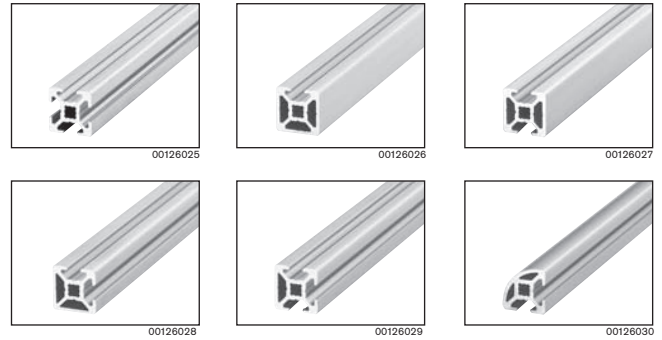
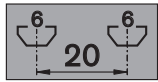
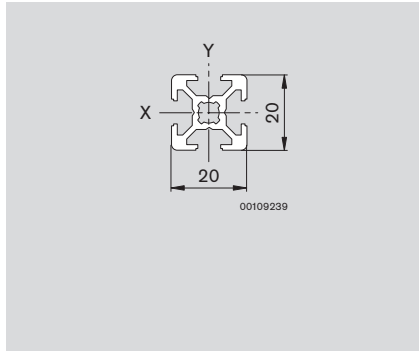


Profile · Profiles · Profilés

20x20 20x20R



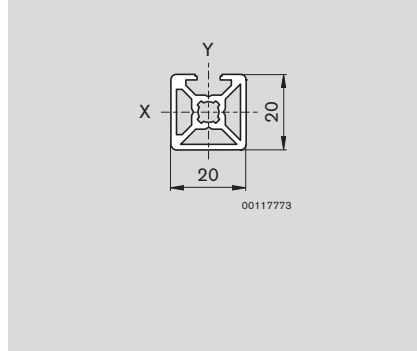
20x20



20x20

	LE 1 x L = ... mm	3 842 992 888 / ...
M6		3 842 993 230 / ...
M6	M6	3 842 993 231 / ...
D8		3 842 993 493 / ...
M6	D8	3 842 993 494 / ...
D8	D8	3 842 993 495 / ...
D8	D8V	3 842 993 496 / ...
	50 mm ≤ L ≤ 3000 mm	
	LE 20 x L = 3000 mm	3 842 517 179

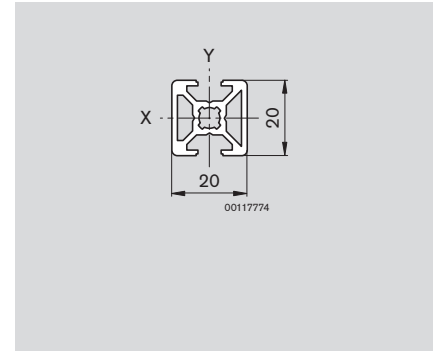
20x20 1N



20x20 1N

	LE 1 x L = ... mm	3 842 993 421 / ...
	50 mm ≤ L ≤ 3000 mm	
	LE 20 x L = 3000 mm	3 842 536 475

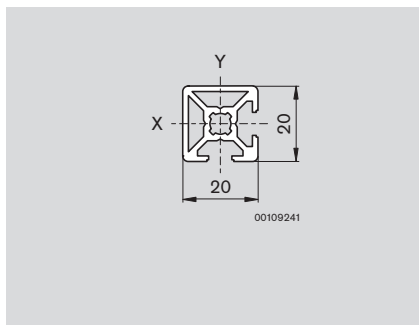
20x20 2N



20x20 2N

	LE 1 x L = ... mm	3 842 993 422 / ...
	50 mm ≤ L ≤ 3000 mm	
	LE 20 x L = 3000 mm	3 842 536 478

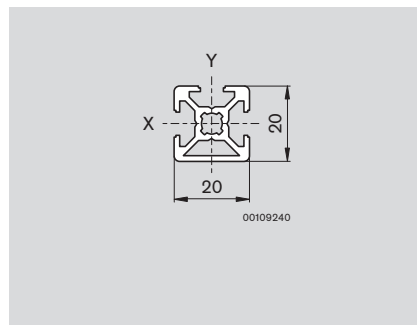
20x20 2NVS



20x20 2NVS

	LE 1 x L = ... mm	3 842 992 924 / ...
	50 mm ≤ L ≤ 3000 mm	
	LE 20 x L = 3000 mm	3 842 519 658

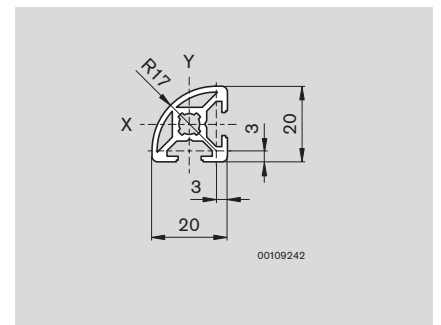
20x20 3N



20x20 3N

	LE 1 x L = ... mm	3 842 992 889 / ...
	50 mm ≤ L ≤ 3000 mm	
	LE 20 x L = 3000 mm	3 842 517 180

20x20 R



20x20 R

	LE 1 x L = ... mm	3 842 992 890 / ...
	50 mm ≤ L ≤ 3000 mm	
	LE 20 x L = 3000 mm	3 842 517 183



2-4,
16-2



2-18



2-18



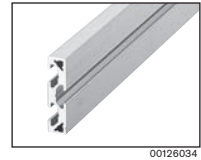
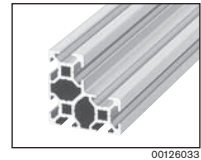
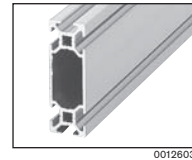
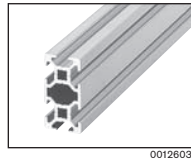
2-59



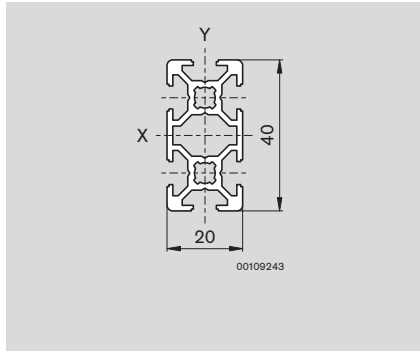
2-64

Profile · Profiles · Profils

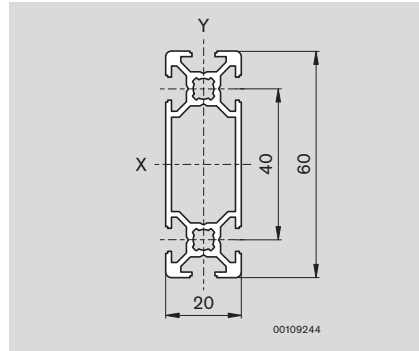
20x40, 20x60, 20x40x40, 10x40



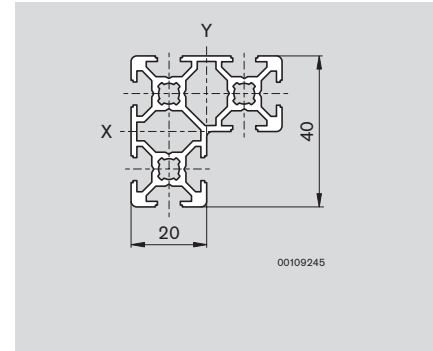
20x40



20x60



20x40x40



20x40

	LE 1 x L = ... mm
	3 842 992 891 / ...
D8	3 842 993 497 / ...
D8 : D8	3 842 993 499 / ...
D8V	3 842 993 498 / ...
D8 : D8V	3 842 993 500 / ...
D8V : D8V	3 842 993 501 / ...
	50 mm ≤ L ≤ 3000 mm

	LE 24 x L = 3000 mm
	3 842 537 816

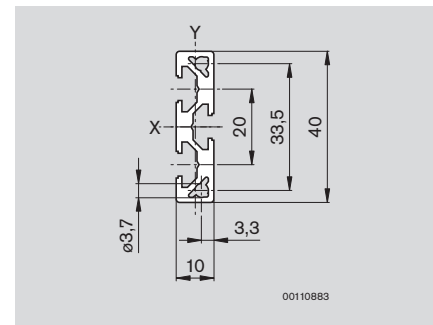
20x60

	LE 1 x L = ... mm
	3 842 992 992 / ...
	50 mm ≤ L ≤ 3000 mm
	LE 16 x L = 3000 mm
	3 842 537 819

20x40x40

	LE 1 x L = ... mm
	3 842 992 991 / ...
	50 mm ≤ L ≤ 3000 mm
	LE 16 x L = 3000 mm
	3 842 537 818

10x40



10x40

	LE 1 x L = ... mm
	3 842 993 077 / ...
	50 mm ≤ L ≤ 3000 mm
	LE 10 x L = 3000 mm
	3 842 526 817

