



120W Single Output Industrial DIN RAIL Power Supply

DRH-120 series



■ Features :

- Protections: Short circuit / Overload / Over voltage / Over temperature
- Cooling by free air convection
- Built-in constant current limiting circuit
- Can be installed on DIN rail TS-35/7.5 or 15
- EN61000-6-2(EN50082-2) industrial immunity level
- 100% full load burn-in test
- Fixed switching frequency at 70KHz
- 3 years warranty

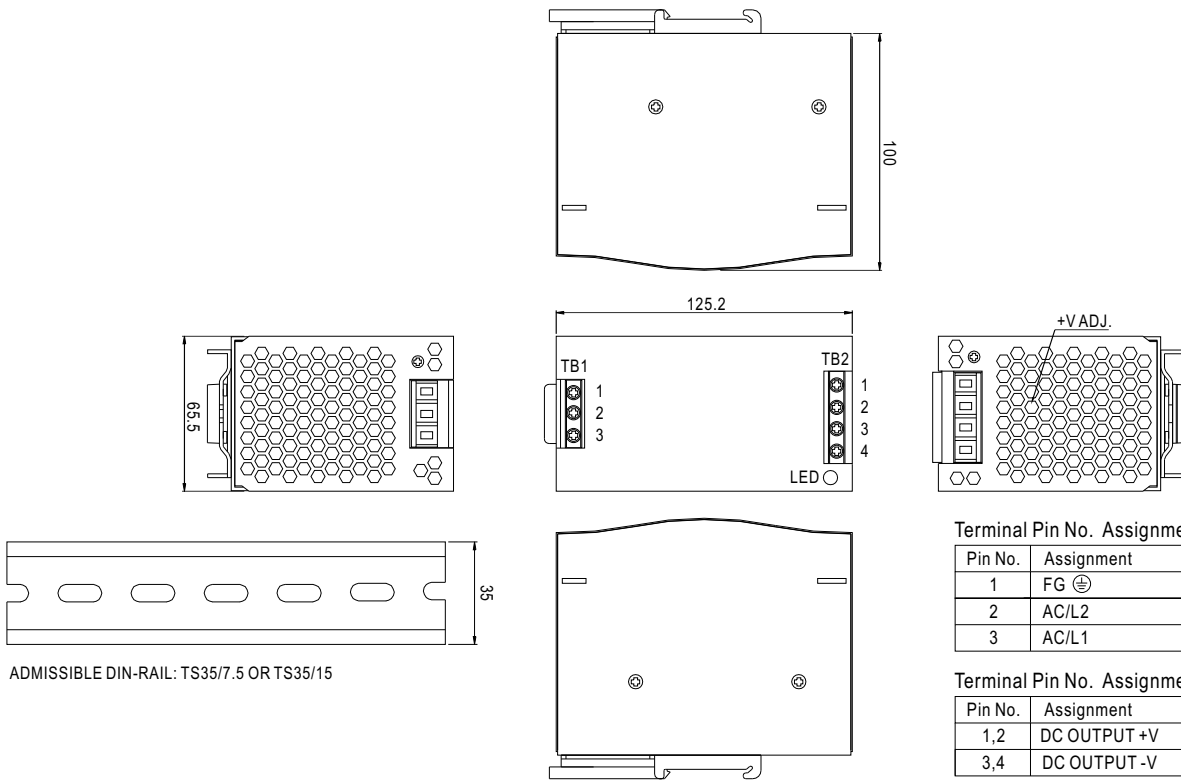


SPECIFICATION

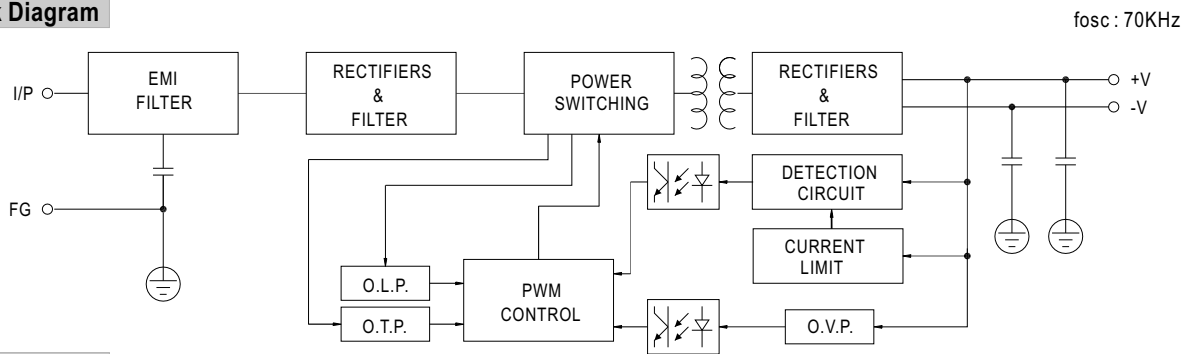
| MODEL | DRH-120-24 | DRH-120-48 | |
|---------------------------|---|---|----------|
| OUTPUT | DC VOLTAGE | 24V | 48V |
| | RATED CURRENT | 5A | 2.5A |
| | CURRENT RANGE | 0 ~ 5A | 0 ~ 2.5A |
| | RATED POWER | 120W | 120W |
| | RIPPLE & NOISE (max.) Note.2 | 80mVp-p | 80mVp-p |
| | VOLTAGE ADJ. RANGE | 24 ~ 28V | 48 ~ 55V |
| | VOLTAGE TOLERANCE Note.3 | ±1.0% | ±1.0% |
| | LINE REGULATION | ±0.5% | ±0.5% |
| | LOAD REGULATION | ±0.5% | ±0.5% |
| SETUP, RISE, HOLD UP TIME | 1700ms, 120ms, 16ms/400VAC | 1000ms, 120ms, 30ms/500VAC at full load | |
| INPUT | VOLTAGE RANGE | 340 ~ 550VAC 480 ~ 780VDC | |
| | FREQUENCY RANGE | 47 ~ 63Hz | |
| | EFFICIENCY (Typ.) | 85% | 86% |
| | AC CURRENT | 0.65A/400VAC 0.6A/500VAC | |
| | INRUSH CURRENT (max.) | COLD START 50A | |
| | LEAKAGE CURRENT | <3.5mA / 530VAC | |
| PROTECTION | OVERLOAD | 105 ~ 160% rated output power Protection type : Constant current limiting, recovers automatically after fault condition is removed | |
| | OVER VOLTAGE | 30 ~ 36V Protection type : Shut down o/p voltage, re-power on to recover | 59 ~ 66V |
| | OVER TEMPERATURE | 85°C ±5°C (TSW) detect on heatsink of power switch Protection type : Shut down o/p voltage, recovers automatically after temperature goes down | |
| ENVIRONMENT | WORKING TEMP. | -20 ~ +60°C (Refer to "Derating Curve") | |
| | WORKING HUMIDITY | 20 ~ 90% RH non-condensing | |
| | STORAGE TEMP., HUMIDITY | -40 ~ +85°C, 10 ~ 95% RH | |
| | TEMP. COEFFICIENT | ±0.03%/°C (0 ~ 50°C) | |
| | VIBRATION | Component: 10 ~ 500Hz, 2G 10min./1cycle, 60min. each along X, Y, Z axes; Mounting clip: Compliance to IEC60068-2-6 | |
| SAFETY & EMC (Note 4) | SAFETY STANDARDS | UL60950-1 approved, IEC60950-1 CB approved by SIQ | |
| | WITHSTAND VOLTAGE | I/P-O/P:3KVAC I/P-FG:1.5KVAC O/P-FG:0.5KVAC | |
| | ISOLATION RESISTANCE | I/P-O/P, I/P-FG, O/P-FG:100M Ohms / 500VDC / 25°C / 70% RH | |
| | EMC EMISSION | Compliance to EN55011 (CISPR11), EN55022 (CISPR22), EN61204-3 Class B | |
| | EMC IMMUNITY | Compliance to EN61000-4-2,3,4,5,6,8,11, EN61204-3, EN61000-6-2 (EN50082-2), heavy industry level, criteria A | |
| OTHERS | MTBF | 178.7Khrs min. MIL-HDBK-217F (25°C) | |
| | DIMENSION | 65.5*125.2*100mm (W*H*D) | |
| | PACKING | 0.75Kg; 20pcs/16Kg/1.29CUFT | |
| NOTE | <ol style="list-style-type: none"> 1. All parameters NOT specially mentioned are measured at 400VAC input, rated load and 25°C of ambient temperature. 2. Ripple & noise are measured at 20MHz of bandwidth by using a 12" twisted pair-wire terminated with a 0.1uf & 47uf parallel capacitor. 3. Tolerance : includes set up tolerance, line regulation and load regulation. 4. The power supply is considered a component which will be installed into a final equipment. The final equipment must be re-confirmed that it still meets EMC directives. | | |

Mechanical Specification

Case No.921A Unit:mm



Block Diagram



Derating Curve

