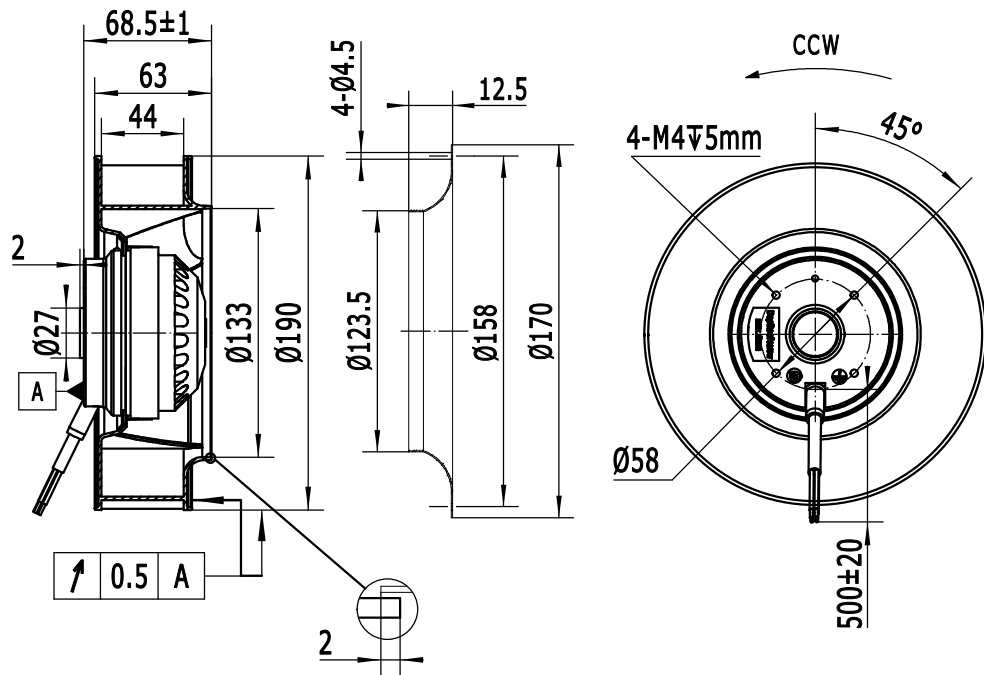


DRAWING NO. REV.

forward centrifugal fan



Hangzhou Weiguang Electronic Co.,Ltd.

Unit: External Rotor Motor

Type:

Type: LXFB2E190/44-P92/15-AA01

Customer:

Voltage v	Frequency Hz	Input power W	Current A	Speed r/min +/-5%	Notice
220	50	53	0.25	2400	

Insulation class : F

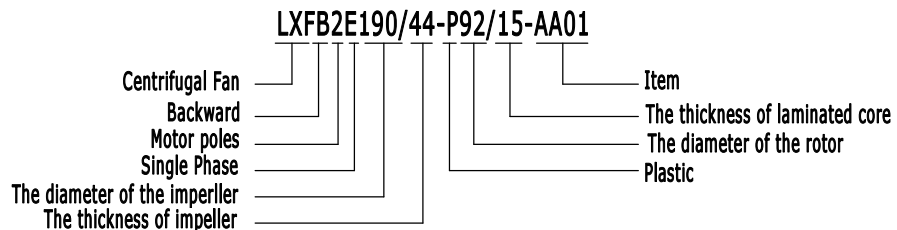
Operating type: S₁

Permissible ambient temperature : -30℃~60℃

Temperature increase: ΔT≤95k

Bearings: ball bearings

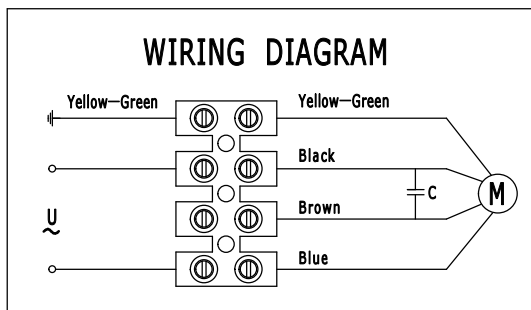
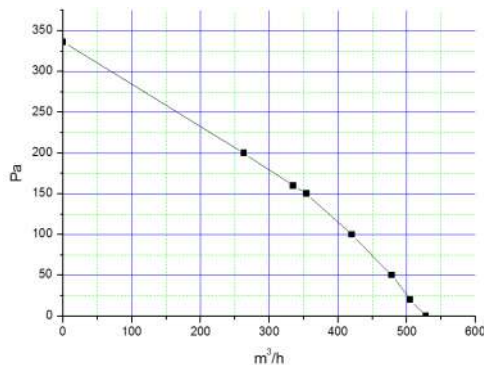
Model meanings:



WEIGUANG® LXFB2E190/44-P92/15-AA01

220V 50Hz 0.25A 24/53W 2400RPM

2~F/450V F级 IP44 XX/XX



1、Electrical connection:RV-90,4G 0.50mm² lead wire Length 500mm .

2、Bearing: 608Z.

REV.	DESCRIPTION	APPROVED	DATE	DECIMAL	TOLERANCE	SIGN	DATE	TITLE	
				X	±0.5	DRN. BY		LXFB2E190/44-P92/15-AA01	
				X.X	±0.25	CHD. BY			
				X.XX	±0.15	ENG. BY			
				ANGLE	±3°	APP. BY			
								PROJECTION	
									A1
									SCALE
									SHEET: of