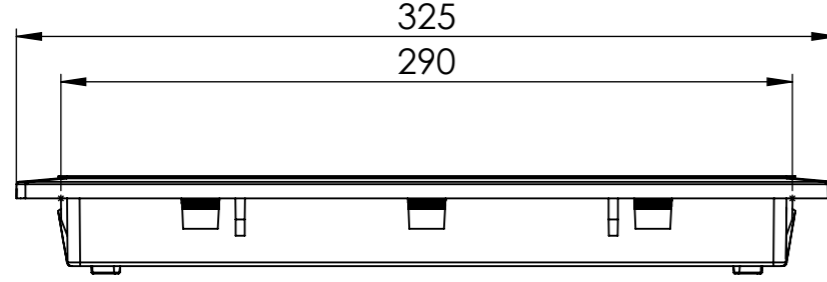
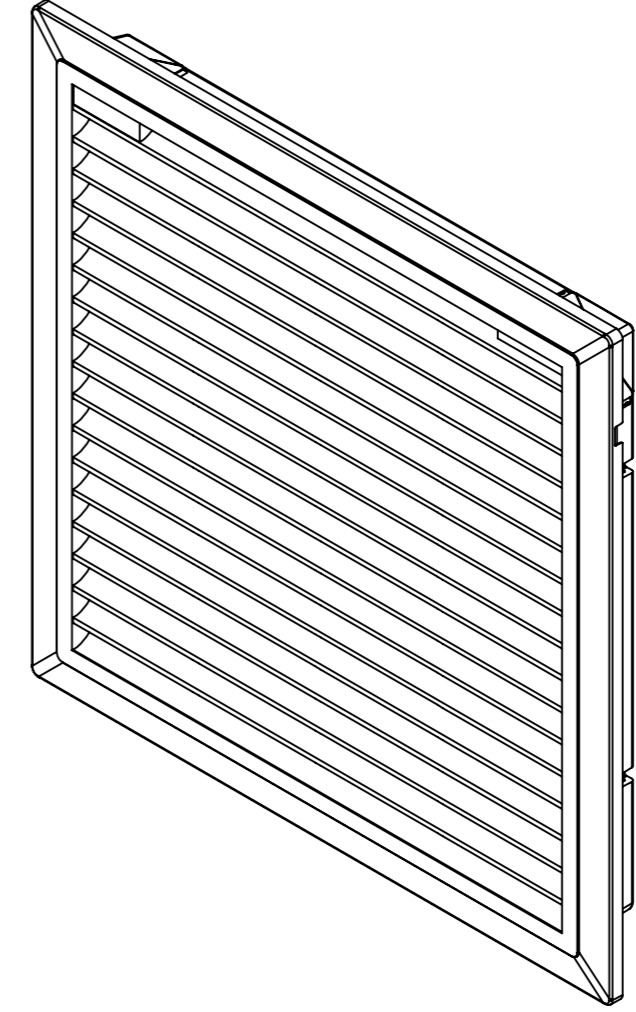
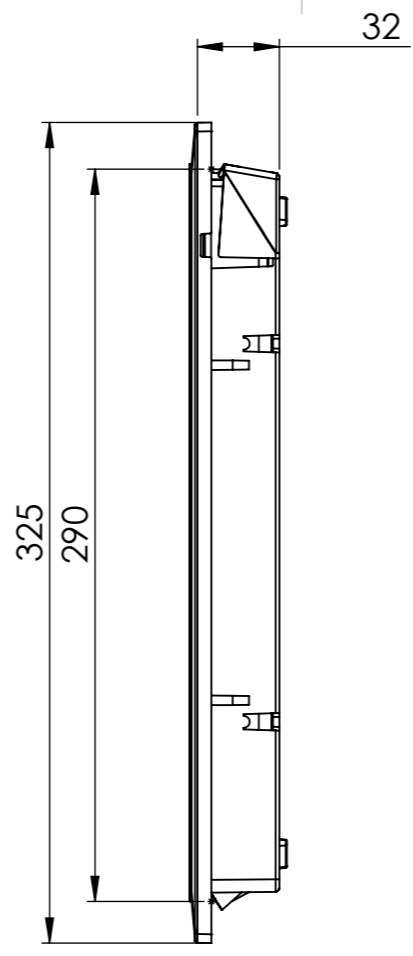
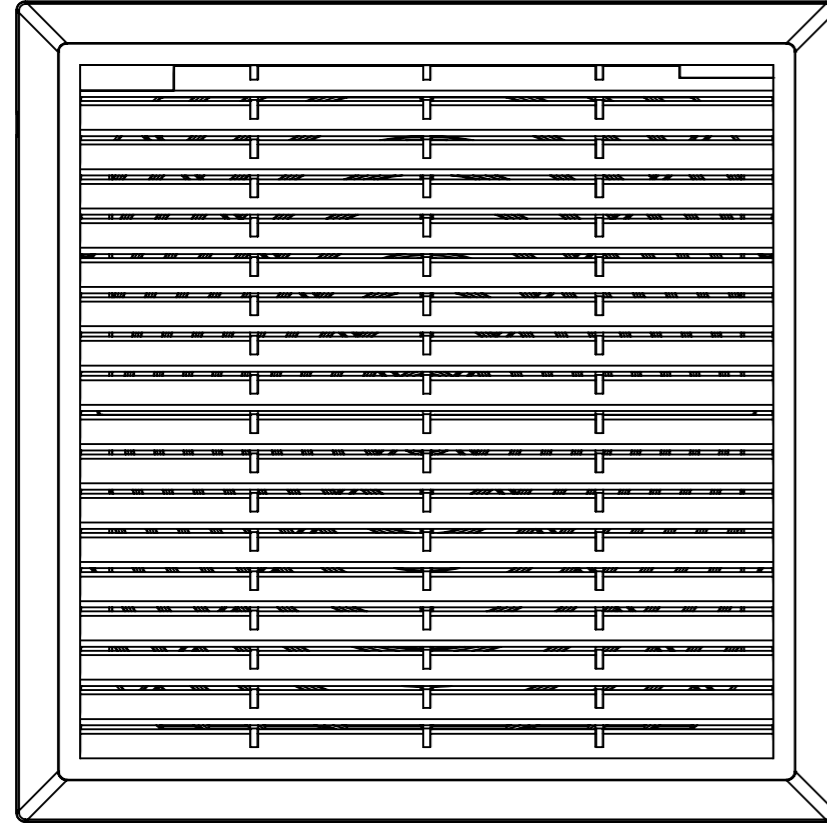


1 2 3 4 5 6 7 8

A
B
C
D
E
F



A
B
C
D
E
F

GENEL TOLERANSLAR								
OLCU	TOL.	>0-6	>6-30	>30-120	>120-315	>315-1000	>1000-2000	
DIN 7168		±0.1	±0.2	±0.3	±0.5	±0.8	±1.2	

2

3

D:\CETINKAYA\1_Standart_Urunler\16_ENJEKSYON_URUNLER\FILTRELLI_MENFEZLER\Cod_Files\