

TECHNICAL SPECIFICATION

Universal digital counter CE2J



Description:

The device is manufactured under the modern technology CMOS which allows high speed of counting and high counting reliability. It has a built in battery which allows data storing for more than 10 years. It is supplied with a digital display with black lighting digits, providing excellent visibility at different lighting. The counter is to be mounted on the front panel of the boards. It is used for impulse sequence counting with accumulation or deduction. There is possibility for relay outlet operation at reaching beforehand set value, and also a possibility for changing the position of the decimal point.

Technical data:

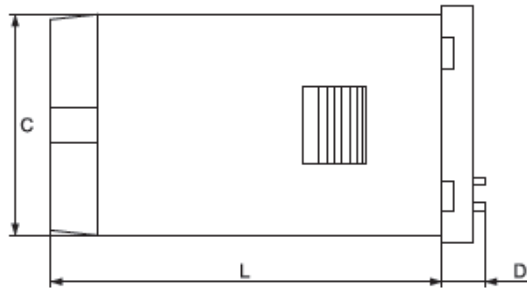
- Display: LCD
- Power supply voltage: 230V; 50Hz
- Counting range: 0 – 99999
- Counting speed: 30/3k cps
- Zeroing: outside impulse
- Battery for program storing: up to 10 years
- Power consumption: <5VA
- Operating temperature: -10 ÷ +65°C
- Humidity: 35 – 85%RH

- Commutating capacity: relay outlet with active load: up to 3A
- Weight: 250g

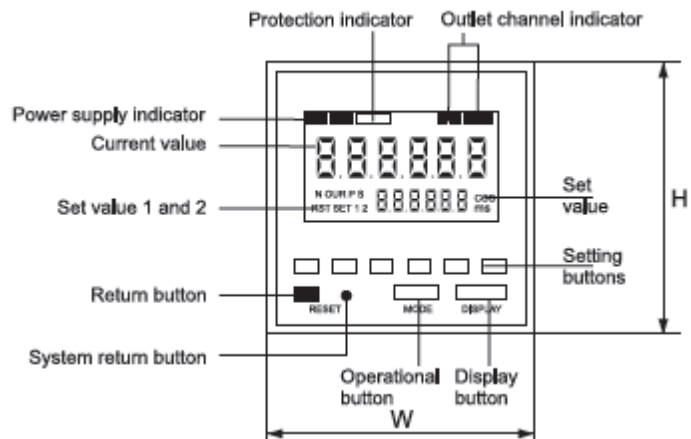
Mounting:

- On the front panel
- Opening with dimensions 45x45

Dimensions:



H	W	C	D	L
68	68	65	8.5	90



Type	Packing / Box	Catalogue number
CE2J	1 / 45	50111

Standards:

EN 61010-1:2010

EN 61812-1:1996

