



2.3 — Wiring Schematics

To wire up the *EINet LT* Energy & Power Multimeter

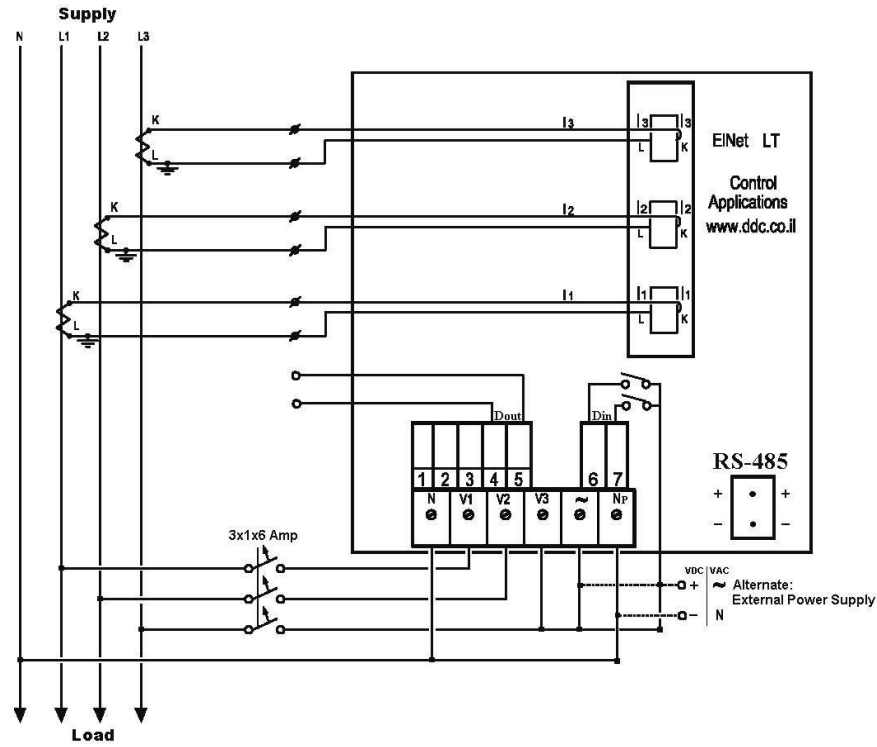


Figure 2.3 Schematic Wiring Diagram