



2.3 — Wiring Schematics

To wire up the *ElNet Pico* Energy Powermeter

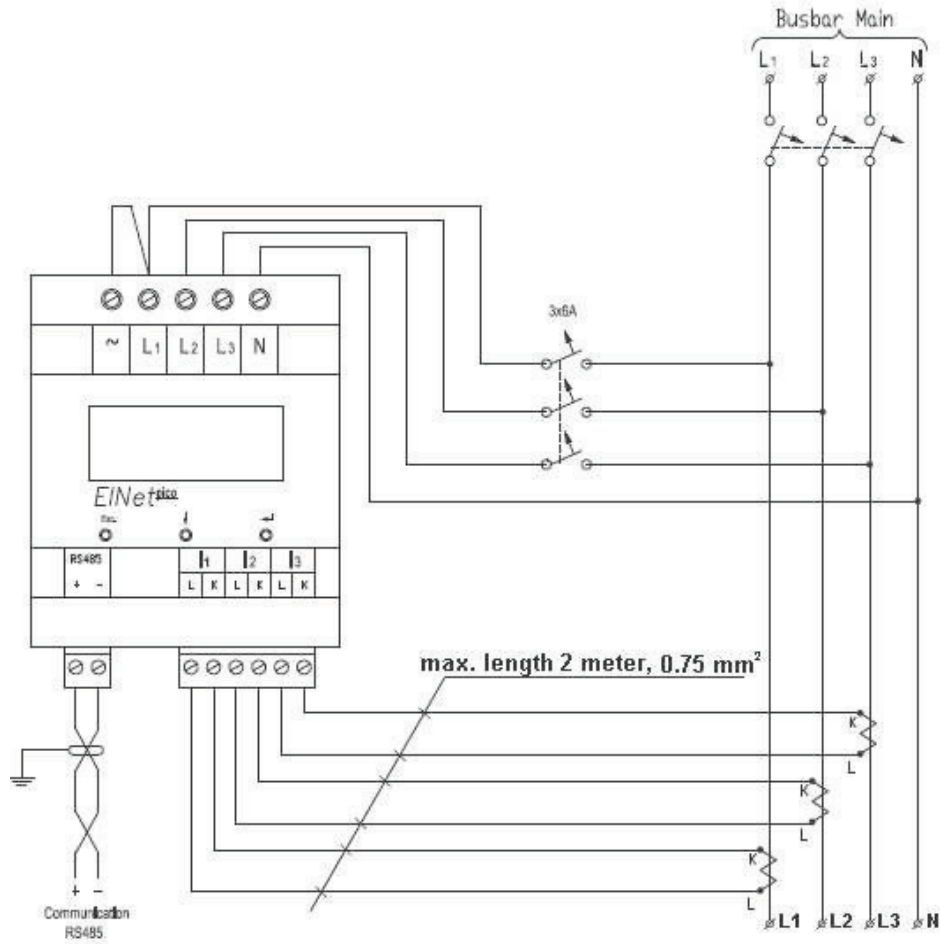


Figure 2.2 Schematic Wiring Diagram