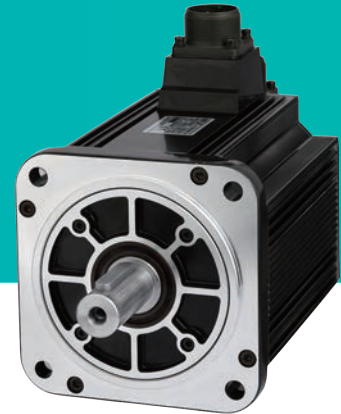


SERVO MOTOR



Specification Description

EMG - 10 A F D 2 4

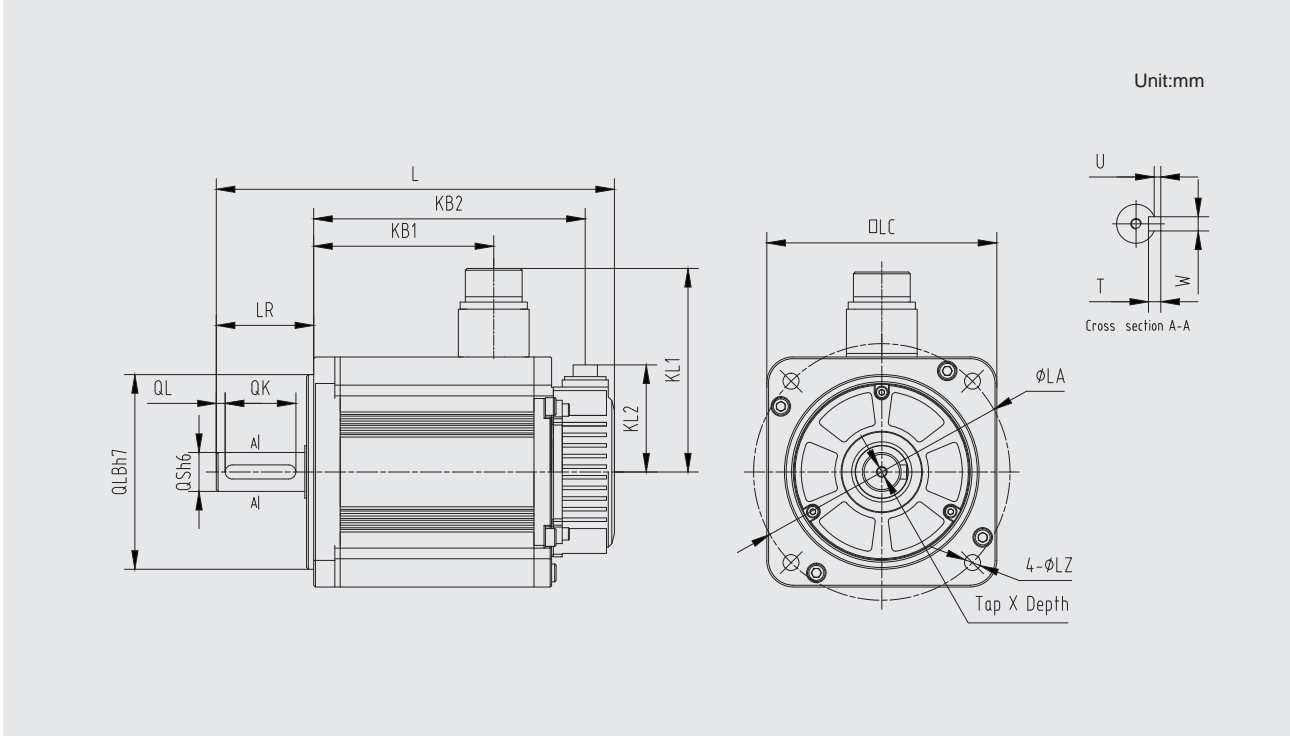
Servo Motor Model	Rated Output Power	Voltage	Encoder	Design Sequence	Shaft End	Option Parts
Sign Spec.	Sign Spec.	Sign Spec.	Sign Spec.	Sign Spec.	Sign Spec.	Sign Spec.
G:EMG Model Servo Motor	10: 1.0kW 15: 1.5kW 20: 2.0kW 30: 3.0kW 50: 5.0kW	A: 200VAC D: 400VAC	F: 20-bit Incremental Encoder L: 23-bit Absolute Encoder	A,B, Design D: Sequence	2:with key	1:None 2:With Oil Seal 3:With Brake (DC24V) 4:With Oil Seal, With Brake (DC24V)

EMG Servo Motor Rated Value and Specification

Voltage		200VAC / 400VAC											
Servo Motor model	EMG-	10AFD□□ 10ALB□□	10DFB□□ 10DLB□□	15AFD□□ 15ALB□□	15DFB□□ 15DLB□□	20AFD□□ 20ALB□□	20DFB□□ 20DLB□□	30AFD□□ 30ALA□□	30DFA□□ 30DLA□□	50AFD□□ 50ALA□□	50DFA□□ 50DLA□□		
Rated Output Power	kW	1.0	1.0	1.5	1.5	2.0	2.0	3.0	3.0	5.0	5.0		
Rated Torque	N·m	4.78	4.78	7.16	7.16	9.55	9.55	14.3	14.3	23.9	23.9		
Instantaneous Peak Torque	N·m	14.3	14.3	21.5	21.5	28.7	28.7	36.5	43.0	54.3	71.6		
Rated Current	Arms	5.8	3.0	8.2	4.3	11.3	5.7	18.0	8.8	28.0	15.0		
Instantaneous Max current	Arms	17.4	9.0	24.6	12.9	33.9	17.1	54.0	26.4	84.0	45.0		
Rated Speed	r/min	2000											
Max. Speed	r/min	3000											
Rotor Moment of Inertia	×10 ⁻⁴ kg·m ²	13.2 (14.3)		18.4 (19.5)		23.5 (24.6)		41.3 (44.5)		65.7 (68.9)			
Weight	kg	7 (8.5)		8.9 (10.4)		10.8 (12.3)		16.63 (20.23)		24.3 (27.9)			
Brake Rated Voltage		DC24V±10%											
Brake Rated Power	W	19.5						35					
Brake Rated Torque	N·m	12						40					
Encoder		20-bit Incremental Encoder; 23-bit Absolute Encoder											
Insulation Class		F											
Ambient Temperature		0 ~ +40°C(No freezing)											
Ambient Humidity		20%~80% RH(Non-condensing)											
Vibration		24.5m/s ²											
Enclosure		Totally Enclosed,Self-cooled, IP65 (Except for shaft opening, when not equipped with oil seal)											

Note:The values in parentheses are for servo motors with holding brakes.

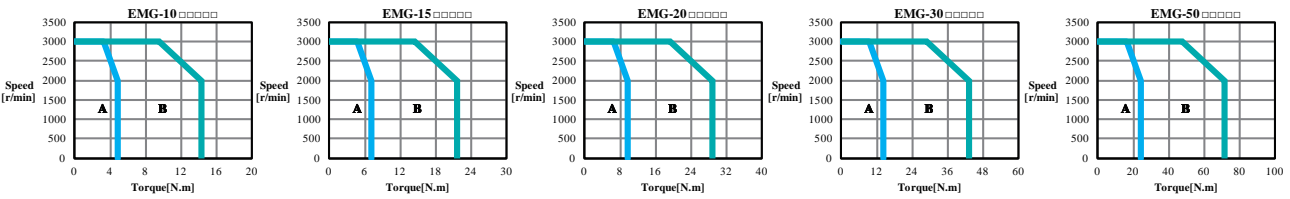
EMG Dimension



EMG-	L	LL	KB1	KB2	KL1	KL2	Flange Side						S	Tap x Depth	Key					
							LR	LE	LF	LC	LA	LB			LZ	QK	QL	W	T	U
10□□B/D	203 (245.5)	148 (190.5)	80 (103.2)	131.5 (174)	117	60.5	55	4	12	130	145	110	9	22	M6x20	40	5	8	7	4
15□□B/D	225 (267.5)	170 (212.5)	102 (125.2)	153.5 (196)																
20□□B/D	247 (289.5)	192 (234.5)	124 (147.2)	175.5 (218)																
30□□A/D	307 (378)	228 (299)	143	203 (274)	140	79	79	3.2	18	180	200	114.3	13.5	35	M8x16	55	6	10	8	5
50□□A/D	357 (428)	278 (349)	183	253 (324)																

Note: The values in parentheses are for servo motors with holding brakes.

EMG Torque-Speed Feature



A: Continuous Working Area B: Repeatedly Working Area