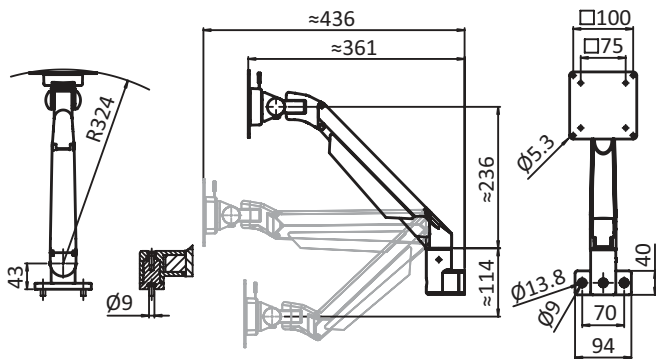


# INSTRUCTIONS FOR USE: MONITOR SUPPORT 4-AXIS, HEIGHT ADJUSTABLE

## GEBRAUCHSHINWEISE: MONITORHALTER 4 ACHSEN, HÖHENVERSTELLBAR

6MHM75100S40



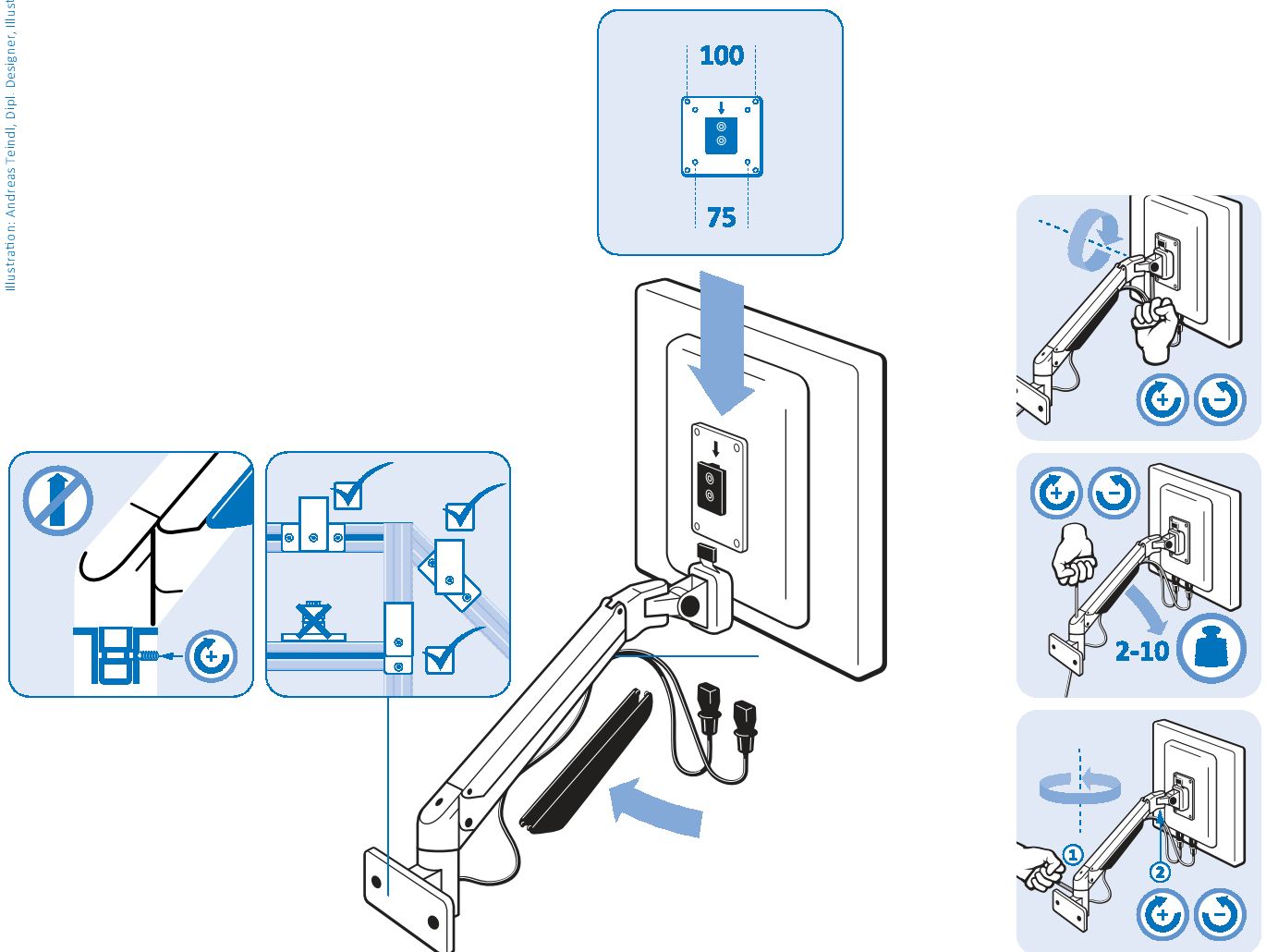
### Contents of the Set

- 1 mounting plate VESA with 4 screws – M4 × 12, Phillips
- 1 monitor support 4-axis with cable management cover
- 1 mounting flange
- 1 mounting screw DIN 6912 – M8 × 25
- 1 mounting adapter
- 2 mounting screws DIN 6912 – M8 × 16
- 1 hexagon key, SW 3
- 1 hexagon key, SW 4

### Inhalt des Sets

- 1 Befestigungsplatte VESA inkl. 4 Schrauben – M4 × 12, Kreuzschlitz
- 1 Monitorhalter 4 Achsen inklusive Abdeckung Kabelführung
- 1 Montage-Flansch
- 1 Montageschraube DIN 6912 – M8 × 25
- 1 Montage-Adapter
- 2 Montageschrauben DIN 6912 – M8 × 16
- 1 Sechskantschlüssel, SW 3
- 1 Sechskantschlüssel, SW 4

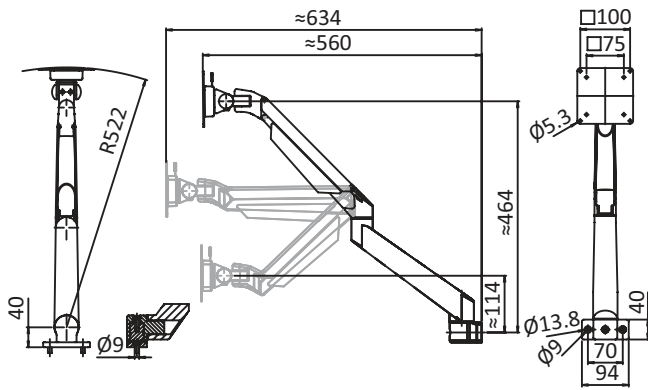
Illustration: Andreas Teindl, Dipl. Designer, Illustrator IO



# INSTRUCTIONS FOR USE: MONITOR SUPPORT 5-AXIS, HEIGHT ADJUSTABLE

## GEBRAUCHSHINWEISE: MONITORHALTER 5 ACHSEN, HÖHENVERSTELLBAR

6MHM75100D40



### Contents of the Set

- 1 mounting plate VESA with 4 screws – M4 × 12, Phillips
- 1 monitor support 4-axis with cable management cover
- 1 mounting flange
- 1 mounting screw DIN 6912 – M8 × 25
- 1 mounting adapter
- 2 mounting screws DIN 6912 – M8 × 16
- 1 hexagon key, SW 3
- 1 hexagon key, SW 4

### Inhalt des Sets

- 1 Befestigungsplatte VESA inkl. 4 Schrauben – M4 × 12, Kreuzschlitz
- 1 Monitorhalter 5 Achsen inklusive Abdeckung Kabelführung
- 1 Montage-Flansch
- 1 Montageschraube DIN 6912 – M8 × 25
- 1 Montage-Adapter
- 2 Montageschrauben DIN 6912 – M8 × 16
- 1 Sechskantschlüssel, SW 3
- 1 Sechskantschlüssel, SW 4

Illustration: Andreas Teindl, Dipl. Designer, Illustrator IO

