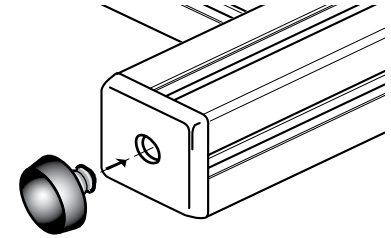
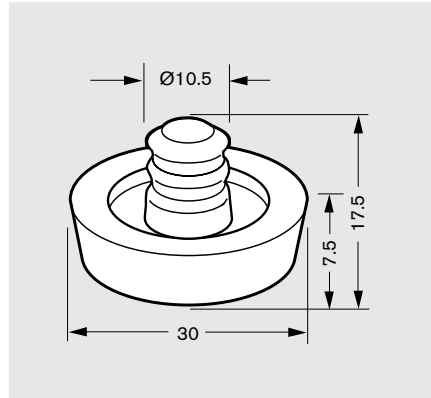


Section 7: Floor to Frame Elements

Leveling Feet and Accessories

Floor Guard Foot



Features:

- Used to support frames, tables to protect floors from damage
- Aesthetically pleasing shape makes it suitable for use on office partitions and furniture
- Clips into profiles with 10mm center bores (such as 40-, 45-, 50-, and 60-series)

Material:

- Thermoplastic elastomer (TPE)

Description

Lot Size

Part Number

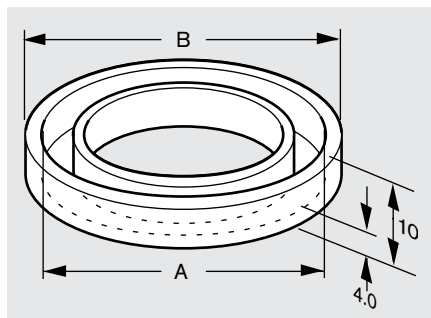
Floor guard foot

1

3 842 514 568

7

Dampening Pads

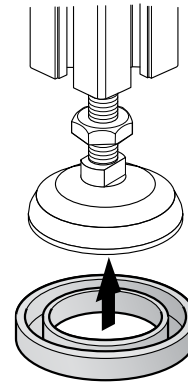


Features:

- Helps prevent transfer of vibration between machine and floor
- Non-conductive material provides electrical isolation and prevents inadvertent introduction of a circuit ground
- Suitable for ESD applications
- Presses snugly onto leveling foot; will not fall off when machine is lifted

Material:

- Translucent PUR



Isolation Pad Size	Dim. (in mm)		Max. Load (in N)	Fits Leveling Feet
	A	B		
30mm	30	39	1600	M8x30
				M12x30
40mm	44	52	2000	M12x44
				M16x44
58mm	58	66	2500	M12x58x85
90mm	90	98	3000	M16x90x145

Description

Lot Size

Part Number

30mm dampening pad

1

3 842 529 024

44mm dampening pad

1

3 842 521 817

58mm dampening pad

1

3 842 522 301

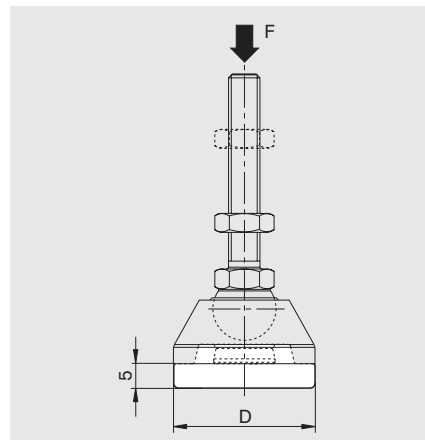
90mm dampening pad

1

3 842 522 303



Damping Plate



Features:

- Helps prevent transfer of vibration between machine and floor
- Presses snugly onto leveling foot; will not fall off when machine is lifted

Material:

- Thermoplastic elastomer (TPE-U)

Description

Lot Size*

Part Number

29 Damping plate

20

3 842 538 555

39 Damping plate

20

3 842 538 556

44 Damping plate

20

3 842 538 557

59 Damping plate

20

3 842 538 558

79 Damping plate

20

3 842 538 559