

# DPS Series 120W

## AC-DC DIN Rail Power Supplies

- 12, 24 & 48VDC
- UL, cUL, UR, cUR, CE
- Universal input 90~264VAC
- High efficiency
- Short circuit protection
- Internal input filter
- 3 Year warranty
- IP20

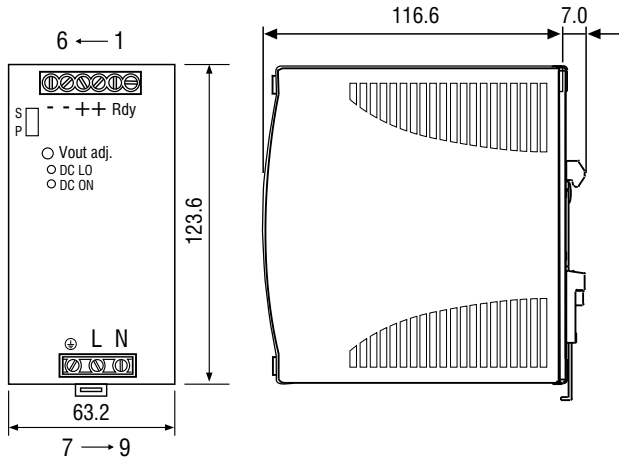


### Specification - 120W Output

Model	DPS-1-120-12DC	DPS-1-120-24DC	DPS-1-120-48DC
Input Voltage	115 ~ 230VAC		
Output Wattage	120W		
Output Voltage	12VDC	24VDC	48VDC
Output Current	10A	5A	2.5A
Efficiency (min/typ)	82/84%	84/86%	85/87%
<b>General Specification</b>			
Approval	cURus		
Isolation Voltage	3000VAC/4242VDC		
Isolation Resistance	100MΩ @ 500VDC		
Ambient Temperature	-35 to +71°C		
Derating	(61 to 71°C) 2.5%/°C		
Storage Temperature	-40 to +85°C		
Relative Humidity	20 to 95% RH		
Cooling	Free air convection		
Dimensions	L124.5 x W64 x D123.6 mm		
Weight	920g		
Case Material	Metal		
<b>Input Specifications</b>			
Rated Input Voltage	115 ~ 230VAC (auto select)		
Input Voltage Range	90 to 264VAC, 210 to 375VDC		
Line Frequency	47 ~ 63Hz		
Inrush Current (115 / 230VAC)	24 / 48A		
<b>Output Specifications</b>			
Output Voltage Accuracy	+1%		
Minimum Load	0%		
Line Regulation	±0.5%		
Load Regulation	±1%		
Turn On Time	1000ms after AC applied to input at full resistive load		
Voltage Fall Time	150ms		
Voltage Rise Time	150ms		
Hold Up Time (115 / 230VAC)	25 / 30ms		
Temperature Coefficient	±0.03%/°C		
Ripple & Noise	50mV		
Voltage Trim Range	11.4 ~ 14.5VDC	22.5 ~ 28.5VDC	45 ~ 55VDC
DC ON & LOW Indicator (Green & Red LED)	10 ~ 11.2VDC	17.6 ~ 19.4VDC	37 ~ 43VDC
<b>Control &amp; Protection</b>			
Rated Overload Protection	110 ~ 145%		
Over Voltage Protection	15 ~ 16.8VDC	30 ~ 33VDC	60 ~ 66VDC
Output Short Circuit	Fold Forward		

# DPS Series 120W AC/DC DIN Rail Power Supplies

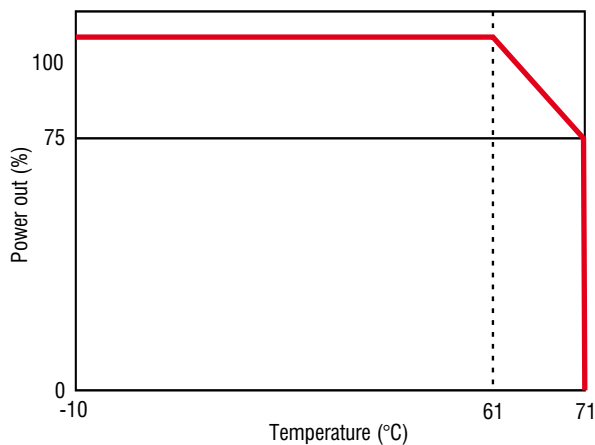
## Dimensions (mm)



## Pin connections

Key	Description
Rdy(1,2)	DC ON output for relay (24V models only)
+	(3) Positive output terminal
+	(4) Positive output terminal
-	(5) Negative output terminal
-	(6) Negative output terminal
	(7) Ground terminal to minimize high-frequency emissions
L	(8) Input terminals (phase conductor, no polarity at DC input)
N	(9) Input terminals (neutral conductor, no polarity at DC input)
DC ON	Operation indicator LED
DC LO	DC low voltage indicator LED
Vout adj.	Trimmer-potentiometer for Vout adjustment
S/P	Single/Parallel select switch

## Derating



## Installation

### Ventilation/Cooling

Normal convection  
All sides 25mm free space  
for cooling recommended

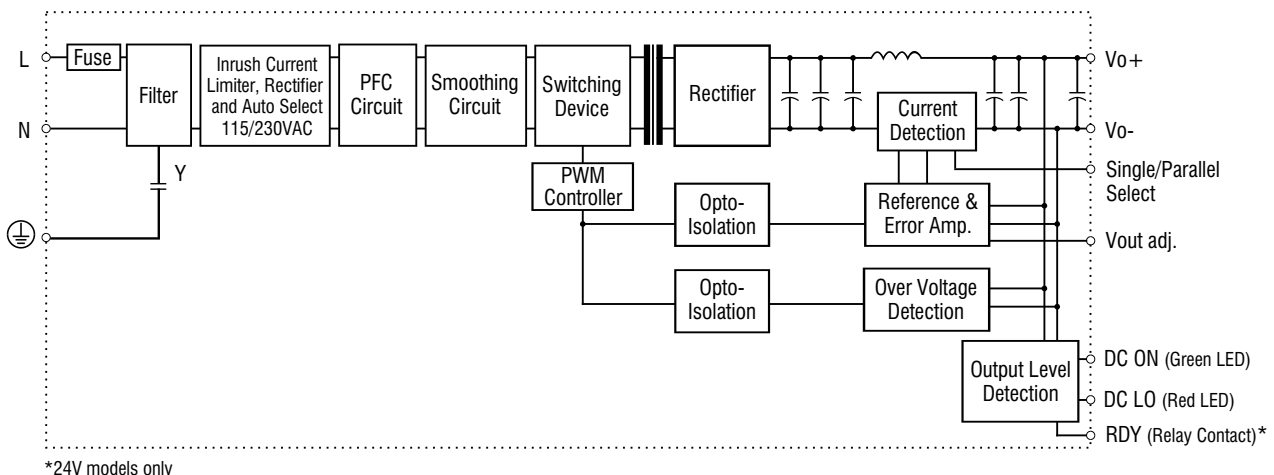
### Screw Terminal

10-24AWG flexible/solid cable  
Strip cable ends by 8mm

## Construction

Easy, safe and secure  
snap-on, snap-off  
DIN-Rail mounting  
(TS35/7.5 or TS35/15)

## Connections



\*24V models only