

DPS Series 240W ~ 300W AC-DC DIN Rail Power Supplies

- 24 & 48VDC
- UL, cUL, UR, cUR, CE
- Universal input 90~264VAC
- High efficiency
- Short circuit protection
- Internal input filter
- 3 Year warranty
- IP20



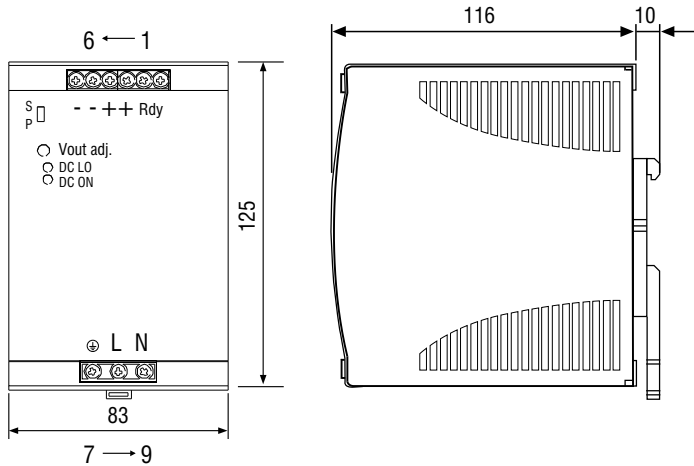
Specification - 240W/300W Output

Model	DPS-1-240-24DC	DPS-1-300-24DC*	DPS-1-240-48DC	DPS-1-300-48DC*
Input Voltage	115 ~ 230VAC			
Output Wattage	240W	300W	240W	300W
Output Voltage	24VDC	24VDC	48VDC	48VDC
Output Current	10A	12.5A	5A	6.5A
Efficiency (min/typ)	87/89%	87/89%	88/90%	88/90%
General Specification				
Approval	cURus			
Isolation Voltage	3000VAC/4242VDC			
Isolation Resistance	100MΩ @ 500VDC			
Ambient Temperature	-40 to +71°C	-30 to +71°C	-40 to +71°C	-30 to +71°C
Derating	(61 to 71°C) 2.5%/°C			
Storage Temperature	-40 to +85°C			
Relative Humidity	20 to 95% RH			
Cooling	Free air convection			
Dimensions	L124.5 x W83.5 x D123.6 mm			
Weight	1380g	1400g	1380g	1400g
Case Material	Metal			
Input Specifications				
Rated Input Voltage	115 ~ 230VAC			
Input Voltage Range	90 to 264VAC, 210 to 375VDC			
Line Frequency	47 ~ 63Hz			
Inrush Current (115 / 230VAC)	30 / 60A	35 / 65A	30 / 60A	35 / 65A
Output Specifications				
Output Voltage Accuracy	+1%			
Minimum Load	0%			
Line Regulation	±0.5%			
Load Regulation	±1%			
Turn On Time	1000ms after AC applied to input at full resistive load			
Voltage Fall Time	150ms			
Voltage Rise Time	150ms			
Hold Up Time (115 / 230VAC)	25 / 30ms			
Temperature Coefficient	±0.03%/°C			
Ripple & Noise	100mV			
Voltage Trim Range	22.5 ~ 28.5VDC		47 ~ 56VDC	
DC ON & LOW Indicator (Green & Red LED)	17.6 ~ 19.4VDC		37 ~ 43VDC	
Control & Protection				
Rated Overload Protection	120 ~ 145%			
Over Voltage Protection	30 ~ 33VDC		60 ~ 66VDC	
Output Short Circuit	Fold Forward			

* Not cULus or UL 60950-1 listed

DPS Series 240W ~ 300W AC/DC DIN Rail Power Supplies

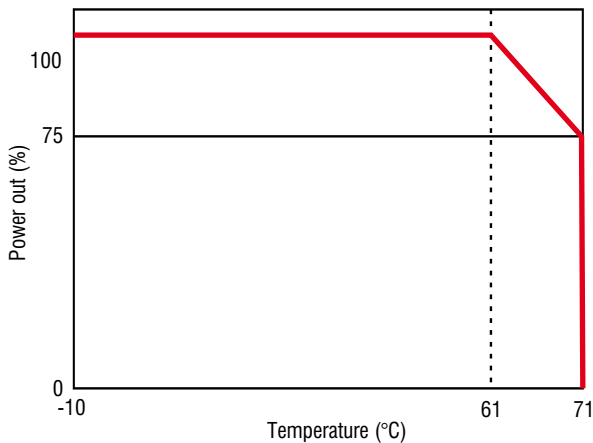
Dimensions (mm)



Pin connections

Key	Description
Rdy(1,2)	DC ON output for relay (24V models only)
+	(3) Positive output terminal
+	(4) Positive output terminal
-	(5) Negative output terminal
-	(6) Negative output terminal
⏏	(7) Ground terminal to minimize high-frequency emissions
L	(8) Input terminals (phase conductor, no polarity at DC input)
N	(9) Input terminals (neutral conductor, no polarity at DC input)
DC ON	Operation indicator LED
DC LO	DC low voltage indicator LED
Vout adj.	Trimmer-potentiometer for Vout adjustment
S/P	Single/Parallel select switch

Derating



Installation

Ventilation/Cooling

Normal convection
All sides 25mm free space
for cooling recommended

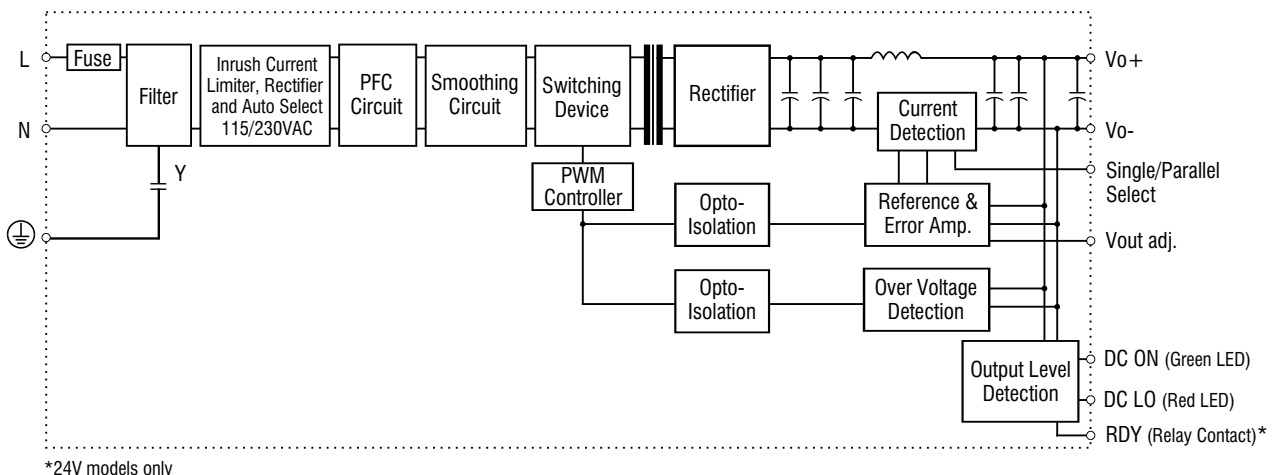
Screw Terminal

10-24AWG flexible/solid cable
Strip cable ends by 8mm

Construction

Easy, safe and secure
snap-on, snap-off
DIN-Rail mounting
(TS35/7.5 or TS35/15)

Connections



*24V models only