

DPS Series 480W AC-DC DIN Rail Power Supplies

- 24 & 48VDC
- UL, cUL, UR, cUR, CE
- Universal input 90~264VAC
- High efficiency
- Short circuit protection
- Internal input filter
- 3 Year warranty
- IP20

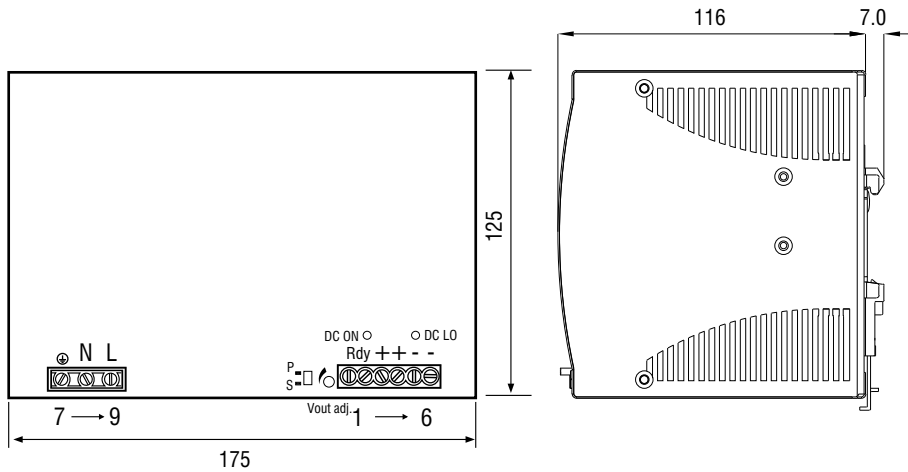


Specification - 480W Output

Model	DPS-1-480-24DC	DPS-1-480-48DC
Input Voltage	90 ~ 264VAC	
Output Wattage	480W	
Output Voltage	24VDC	48VDC
Output Current	20A	10A
Efficiency (min/typ)	86/89%	87/90%
General Specification		
Approval	cURus	
Isolation Voltage	3000VAC/4242VDC	
Isolation Resistance	100MΩ @ 500VDC	
Ambient Temperature	-40 to +71°C	
Derating	(56 to 71°C) 2.5%/°C	
Storage Temperature	-40 to +85°C	
Relative Humidity	20 to 95% RH	
Cooling	Free air convection	
Dimensions	L124.5 x W175.5 x D123.6 mm	
Weight	1920g	
Case Material	Metal	
Input Specifications		
Rated Input Voltage	115 ~ 230VAC	
Input Voltage Range	90 to 264VAC, 120 to 375VDC	
Line Frequency	47 ~ 63Hz	
Inrush Current (115 / 230VAC)	25 / 50A	
Output Specifications		
Output Voltage Accuracy	+1%	
Minimum Load	0%	
Line Regulation	±0.5%	
Load Regulation	±1%	
Turn On Time	1000ms after AC applied to input at full resistive load	
Voltage Fall Time	150ms	
Voltage Rise Time	150ms	
Hold Up Time (115 / 230VAC)	25 / 30ms	
Temperature Coefficient	±0.03%/°C	
Ripple & Noise	100mV	
Voltage Trim Range	22.5 ~ 28.5VDC	47 ~ 56VDC
DC ON & LOW Indicator (Green & Red LED)	17.6 ~ 19.4VDC	37 ~ 43VDC
Control & Protection		
Rated Overload Protection	110 ~ 140%	
Over Voltage Protection	30 ~ 33VDC	60 ~ 66VDC
Output Short Circuit	Fold Forward	

DPS Series 480W AC/DC DIN Rail Power Supplies

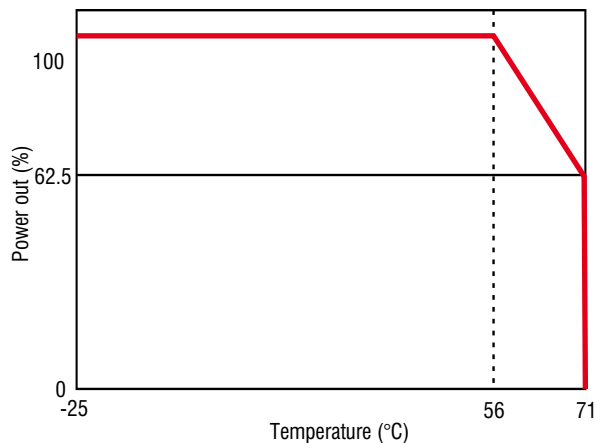
Dimensions (mm)



Pin connections

Key	Description
Rdy(1,2)	DC ON output for relay (24V models only)
+	(3) Positive output terminal
+	(4) Positive output terminal
-	(5) Negative output terminal
-	(6) Negative output terminal
⏏	(7) Ground terminal to minimize high-frequency emissions
N	(8) Input terminals (neutral conductor, no polarity at DC input)
L	(9) Input terminals (phase conductor, no polarity at DC input)
DC ON	Operation indicator LED
DC LO	DC low voltage indicator LED
Vout adj.	Trimmer-potentiometer for Vout adjustment
S/P	Single/Parallel select switch

Derating



Installation

Ventilation/Cooling

Normal convection
All sides 25mm free space for cooling recommended

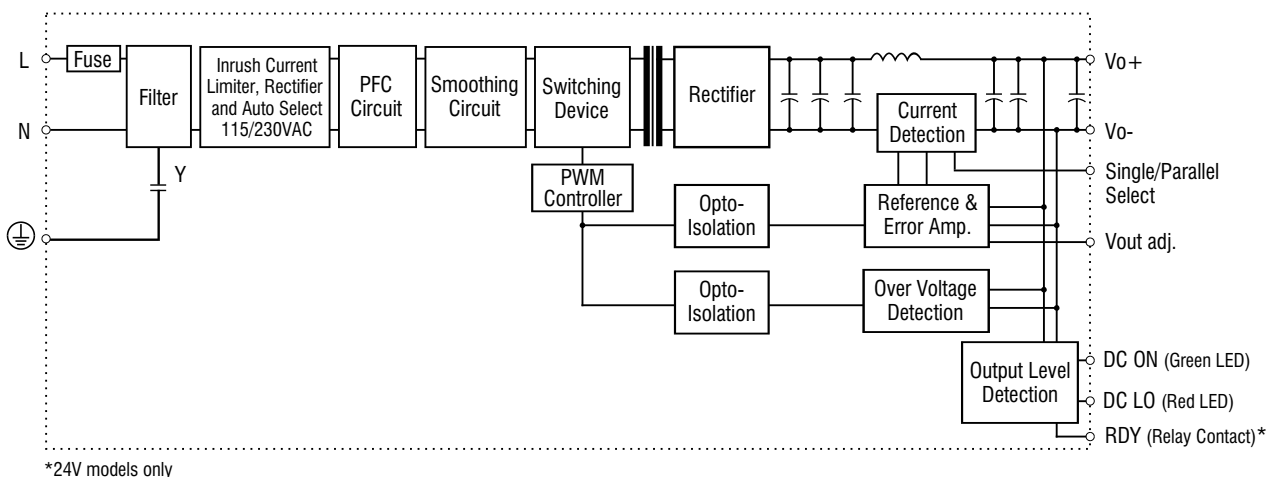
Screw Terminal

10-24AWG flexible/solid cable
Strip cable ends by 8mm

Construction

Easy, safe and secure snap-on, snap-off
DIN-Rail mounting (TS35/7.5 or TS35/15)

Connections



*24V models only