

iView Advanced HMI - E Series



Key Features

- In-built FTP functionality
- 3 x serial ports
- In-built Ethernet port for remote connectivity*
- 2 x USB ports (1 x USB A, 1 x USB B)
- Remote monitoring using VNC (web) server
- USB for data logging
- In-built offline software simulation
- IP65 rated
- Email Support
- IOT Support - IDCS & MQTT

* Model dependant



Technical Datasheet



Options & Ordering Codes

| | | | | | | | |
|-------------------------------|------------|----------|---|-------------------|----------|------------------------------------|-----------------------|
| IV2 | 04 | E | - | S | E | C | P |
| Series Name | | | | | | | Bezel Material |
| iView 2nd Gen. | IV2 | | | | | | P Plastic |
| Screen Size (diagonal) | | | | | | | COM Ports |
| 4.3" | 04 | | | | | C RS232, RS422 / 485, RS485 | |
| 7.0" | 07 | | | | | | |
| 10.4" | 10 | | | | | | |
| Hardware Specification | | | | | | | Connectivity |
| See specification | | E | | | | | E Ethernet |
| | | | | | | | O No Ethernet |
| | | | | Operation | | | |
| | | | | S Standard | | | |

Specifications

| Part Number | IV204E-SOCP | IV204E-SECP | IV207E-SECP | IV210E-SECP |
|-------------------------|----------------------------|----------------------------|---------------------|---------------------|
| Size | 4.3" | 4.3" | 7.0" | 10.1" |
| Resolution / Colours | 480 x 272 / 65K | 480 x 272 / 65K | 800 x 600 / 65K | 1024 x 600 / 65K |
| System Memory | 64 MB | 64 MB | 64 MB | 64 MB |
| In-built Storage Memory | 64 MB | 64 MB | 64 MB | 64 MB |
| Battery Backup Memory | 128 KB | 128 KB | 128 KB | 128 MB |
| COM 1 | RS232 (5-pin terminal) | RS232 (5-pin terminal) | RS232 (DB9) | RS232 (DB9) |
| COM 2 | RS422/485 (5-pin terminal) | RS422/485 (5-pin terminal) | RS422/485 (DB9) | RS422/485 (DB9) |
| COM 3 | RS485 (5-pin terminal) | RS485 (5-pin terminal) | RS485 (DB9) | RS485 (DB9) |
| USB | 2 | 2 | 2 | 2 |
| Ethernet | No | Yes | Yes | Yes |
| Real Time Clock | Built In | Built In | Built In | Built In |
| Certification | CE, FCC | CE, FCC | CE, FCC | CE, FCC |
| Ratings | IP65 | IP65 | IP65 | IP65 |
| Voltage Ratings | 24VDC ±10% Isolated | 24VDC ±10% Isolated | 24VDC ±10% Isolated | 24VDC ±10% Isolated |
| Power Ratings | 0.4A, 10W | 0.4A, 10W | 0.8A, 20W | 0.8A, 20W |
| Operating Temperature | -10°C to +50°C | -10°C to +50°C | -10°C to +50°C | -10°C to +50°C |
| Net Weight | 0.23kg | 0.23kg | 0.55kg | 1.1kg |

iView Advanced HMI - E Series

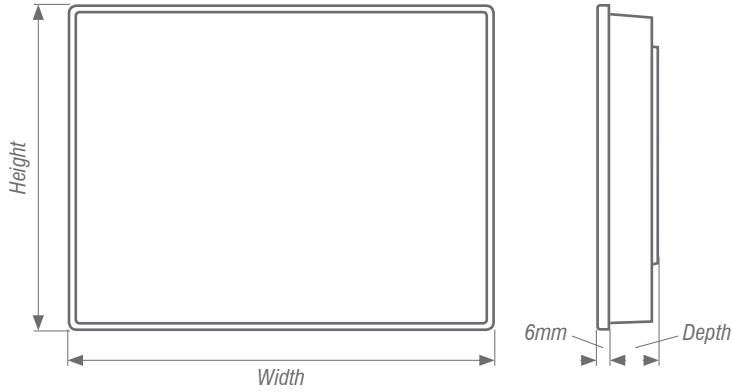


Accessories

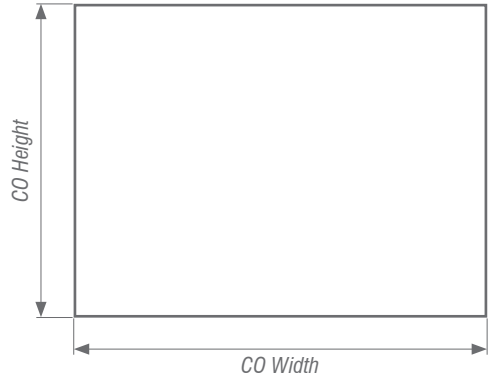
Technical Datasheet

| | |
|-------------|-----------------------|
| Part Number | IV-USB |
| Description | USB Programming Cable |

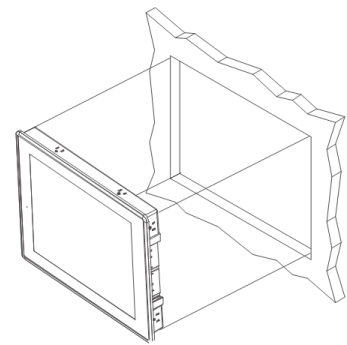
Dimensions



Cut Out Dimensions



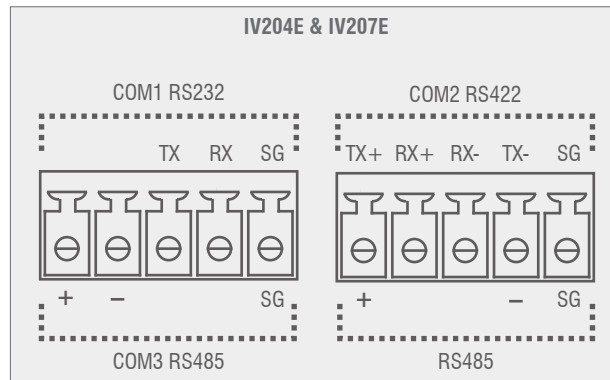
| Model | Width | Height | Depth | CO Width | CO Height |
|-------------|---------|---------|--------|----------|-----------|
| IV204E-SOCP | 129mm | 103mm | 33mm | 118.5mm | 92.5mm |
| IV204E-SECP | 129mm | 103mm | 33mm | 118.5mm | 92.5mm |
| IV207E-SECP | 203.5mm | 148.5mm | 37mm | 191.5mm | 138mm |
| IV210E-SECP | 270.8mm | 212.8mm | 42.5mm | 259mm | 201mm |



Serial Port Connections

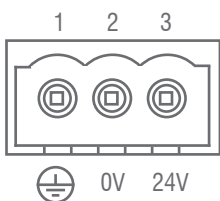
DB-Type*

| Pin | Description |
|-----|----------------------------|
| 1 | RS422 TXD +/RS485 + (COM2) |
| 2 | RS232 RXD (COM1) |
| 3 | RS232 TXD (COM1) |
| 4 | RS422 RXD + (COM2) |
| 5 | SG |
| 6 | RS422 TXD-/RS485- (COM2) |
| 7 | RS485- (COM3) |
| 8 | RS485+ (COM3) |
| 9 | RS422 RXD- (COM2) |



* Applicable for IV210E only

Power Supply



NOTE: Do not open the rear cover of the panel when power is applied