

iText - Programmable Text HMI



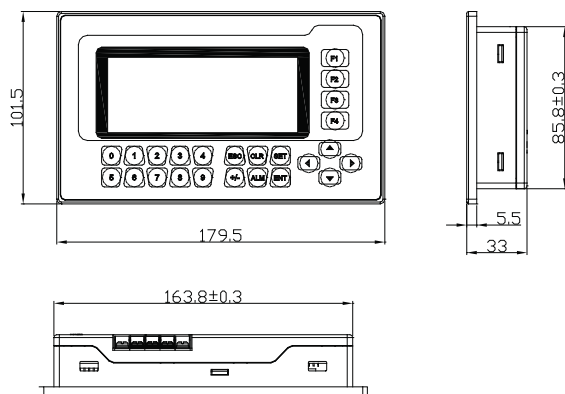
- Can be used with a range of PLC'S
- 4.3" monochromatic display, 192 x 64 pixels, olive background
- 24 Addressable function keys
- Support Modbus RTU protocol
- 2 Communication Port (RS 232/RS 422/RS 485)
- 20.4 - 26.4 VDC Power Supply
- Free Configuration Software
- RS 232 Programming Cable



General Specification

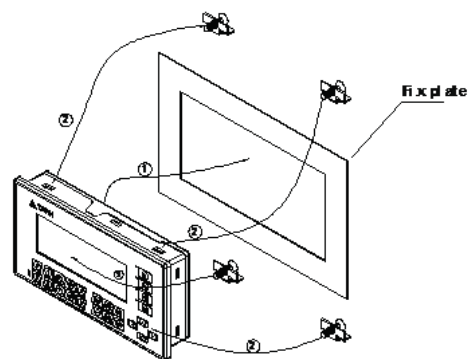
Power	DC24V -15%~+10%
Dimension	179.5 x 101.5 x 33mm
Operation Temperature	0°C~55°C
Altitude	No higher than 2000m
Relative Humidity	10%~95% no dew
Storage - Temperature	-40°C~70°C
Pollution Level	Pollute level 2
Vibration	5≤f≤9Hz 1.75mm range shaking 9≤f≤150Hz 0.5g shaking
Strike	3 Vertical directions 15g, 11mS
Storage - Fall down freely	With Transport Packing - 1M With Production Packing - 0.3M

Dimensions



TOP VIEW

Installation



Download Cable - PinOuts

Max. Length - 1800mm

iText	Pin	Pin	PC
RX	2	3	Tx
TX	3	2	Rx
	4	4	
GND	5	5	GND

D-Sub 9 Pin
Femal

D-Sub 9 Pin
Femal

