



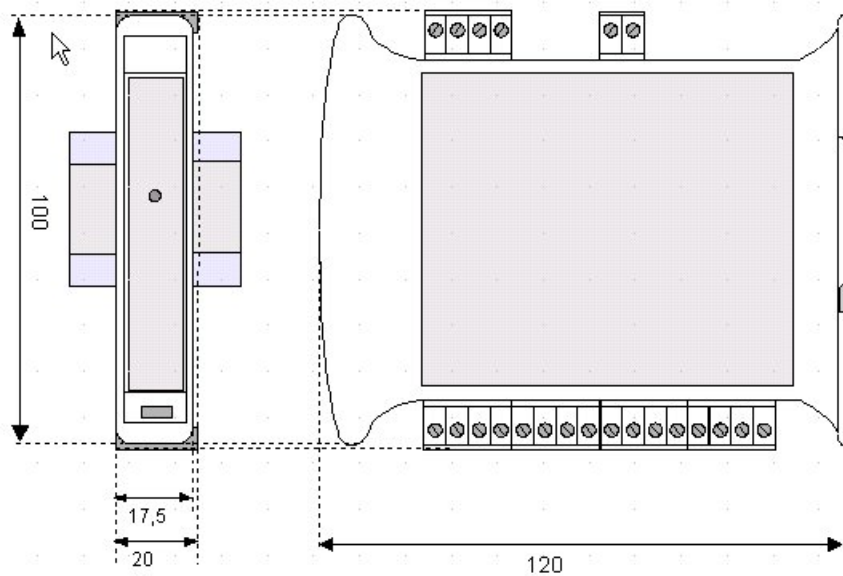
iOS - Remote I/O system

iOS/M04IVX-D1 4 Input Channel ($\pm 10V$)
 iOS/M08IVX-D1 8 Input Channel ($\pm 10V$)



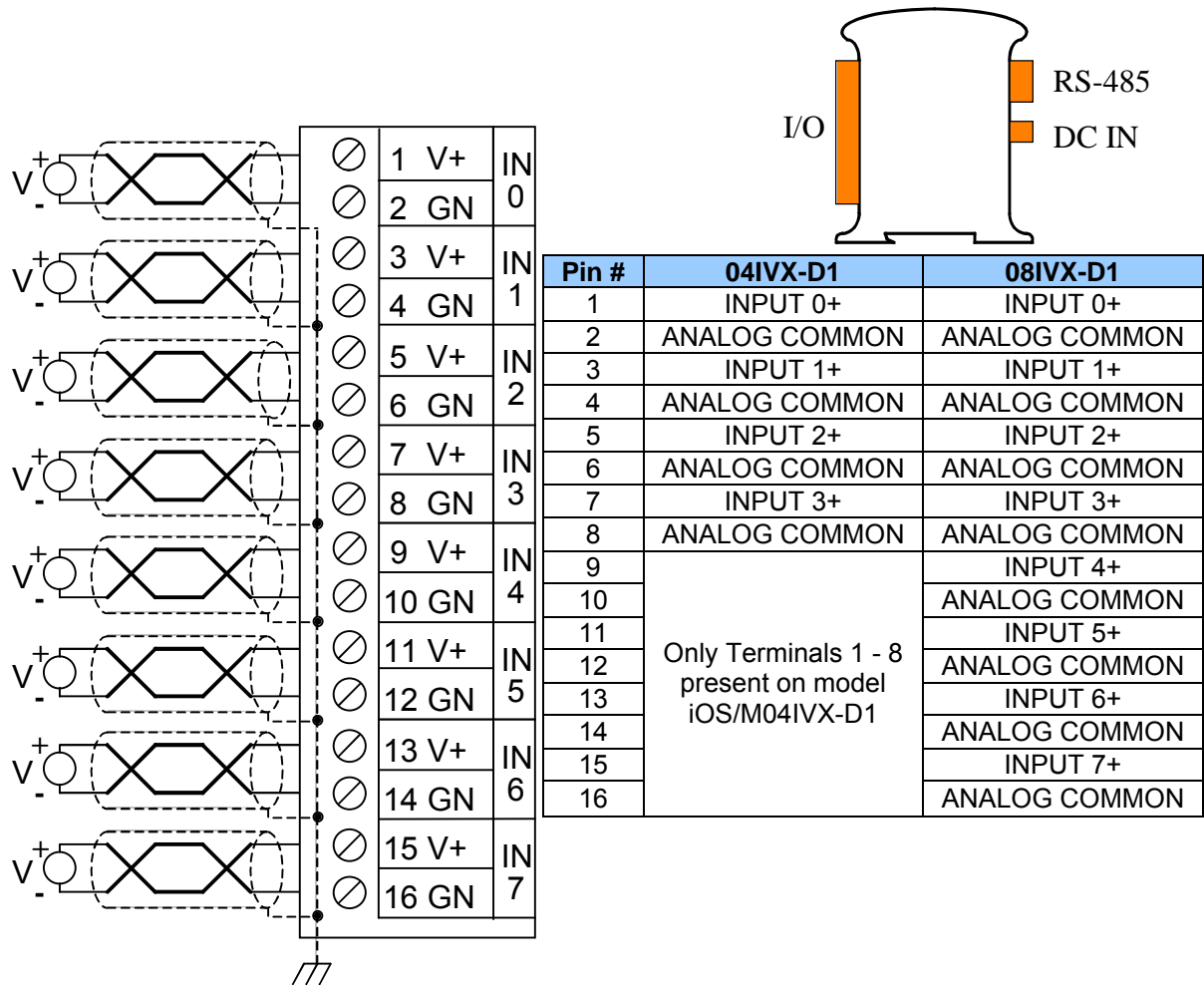
SPECIFICATIONS

	04IVX-D1	08IVX-D1		04IVX-D1	08IVX-D1
Number of Channels	4	8	Conversion Time (PLC Update Rate)	Determined by configuration	
Input Ranges	$\pm 10V$		Terminal Type	Screw Type, Removable	
Resolution	Approximately 16-Bit		Storage Temp.	-40° to 85° Celsius	
Input Impedance	1Mohm		Operating Temp.	-10° to 60° Celsius	
Linearity	$\pm 0.1\%$		Relative Humidity	5 to 95% Non-condensing	
External Power Supply Voltage	10-30Vdc		Dimensions WxHxD	17.5mm x 100mm x 120mm 0.69" x 3.94" x 4.72"	
Required Power (Steady State)	30mA @ 24Vdc, typical		Weight	150g (6 oz.)	
Required Power (Inrush)	Negligible		Communications	Modbus/RTU (binary) RS-485 half duplex	
Isolation	2000Vac for 60 seconds (Input/Power & Input/Comms)		Default Comms. Parameters	38400 baud, N, 8, 1, no h/s Default Modbus ID 1	
			Supported Modbus Commands	1,2,3,4,5,6,8,15,16	

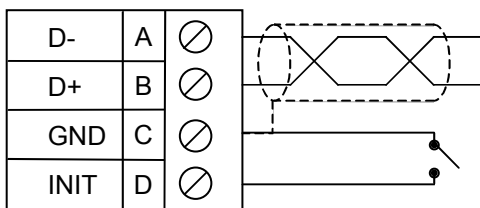


Note: Number of I/O terminal connections change with model type

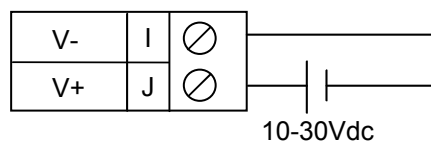
WIRING – I/O



WIRING – RS-485



WIRING – DC IN

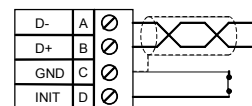


Notes:

Both ends of the RS-485 network should be terminated with a 100Ω, ¼W, 1% resistor. *i*³ controllers feature dipswitches or jumpers, which enable appropriate termination if the *i*³ is located on a network end.

Init default setup:

1. Install jumper between INIT and GND terminals of the RS-485 port.
2. Apply power to *i*OS unit.
3. Read parameter words to see current parameters.
4. Write changes if necessary.



The Init default RS485 settings are:

Modbus ID = 1
 Baud rate = 9600
 Parity = None
 Stop Bits = 1

CONFIGURATION DATA

iOS configuration settings are mapped into Modbus register space. This configuration data may be modified with any Modbus/RTU Master device. For convenience, IMO Precision Controls have developed a variety of application files, which allow an *i³* Integrated Controller to act as the *iOS* configurator. Initial configuration of the *iOS* module should be done on an individual basis, since all modules are delivered with a factory default of Modbus ID 1. Once each module on the network has its own unique Modbus ID, further configuration adjustments can be made with the entire network powered.

All configuration parameters listed below (except 40012 Channel Enable) are stored in EPROM and for this reason they should not be constantly rewritten.

Configuration Parameters – Registers 40001 through 40013				
Modbus Register	Description	Min	Max	Default
40001-40005	Reserved			
40006	Communications Parameters	See Table		38.4kbaud, N, 8, 1, RTU Mode
40007	Modbus ID	1	255	1
40008	Rx/Tx Delay (in 2mS steps)	0	255	0mS
40009	Watchdog Timer (in 0.5s steps)	0	255	10 (5s)
40010	Modbus Coil Data	Not Configuration Data – See I/O Data		
40011	Input Type	5	5	5 (+/-10V)
40012	Channel Enable	See Table		255 (Channels 1-8 enabled)
40013	Reserved			

Register 40006 (Communications Parameters) Bit Definition							
Bits 7-15	Bit 6	Bit 5	Bit 4	Bit 3	Bit 2	Bit 1	Bit 0
Unused	Mode	Parity		Data Bits	Baud Rate		
	0 = ASCII Mode	Value	Meaning	0 = 7 Data Bits	Value	Meaning	
		0	Mark		0	1200 baud	
	1 = RTU Mode	1	Even	1 = 8 Data Bits	1	2400 baud	
		2	Odd		2	4800 baud	
		3	Space		3	9600 baud	
					4	19200 baud	
					5-7	38400 baud	

Register 40012 (Channel Enable) Bit Definition								
Bit 8-15	Bits 7	Bit 6	Bit 5	Bit 4	Bit 3	Bit 2	Bit 1	Bit 0
Unused	Input 7	Input 6	Input 5	Input 4	Input 3	Input 2	Input 1	Input 0
	0 = Disable Input							
	1 = Enable Input							

INPUT / OUTPUT DATA

iOS Analog I/O utilizes both Modbus Registers (40001-40030) and Coils (1-11). It is possible to access all data using Registers only - Coils can be accessed through Register 40010.

The following tables list all Modbus I/O data available.

I/O Register Data (Registers 40010-40022)					
Modbus Register	Description	Access	Minimum	Maximum	Units
40010	Mirror of Coil Data	Read/Write	n/a	n/a	n/a
40015	Input 0	Read-only	-10000	10000	1mV (0.001V)
40016	Input 1	Read-only	-10000	10000	1mV (0.001V)
40017	Input 2	Read-only	-10000	10000	1mV (0.001V)
40018	Input 3	Read-only	-10000	10000	1mV (0.001V)
40019	Input 4	Read-only	-10000	10000	1mV (0.001V)
40020	Input 5	Read-only	-10000	10000	1mV (0.001V)
40021	Input 6	Read-only	-10000	10000	1mV (0.001V)
40022	Input 7	Read-only	-10000	10000	1mV (0.001V)

Modbus Coil	Description	Access
00001	Open Detect Input 0	Read/Write
00002	Open Detect Input 1	Read/Write
00003	Open Detect Input 2	Read/Write
00004	Open Detect Input 3	Read/Write
00005	Open Detect Input 4	Read/Write
00006	Open Detect Input 5	Read/Write
00007	Open Detect Input 6	Read/Write
00008	Open Detect Input 7	Read/Write
00009	Watchdog Enabled	Read/Write
00010	Watchdog Event	Read/Write
00011	Power-up Event	Read/Write

Watchdog Event & Power-up Event Operation

If Coil 9 (Watchdog Enabled) is set, Coil 10 (Watchdog Event) will set if the Watchdog Timeout value is exceeded. The Watchdog Timeout value is set in Register 40009. When set, Coil 10 can be reset by the controller when normal communications resumes.

The Power-up Event (Coil 11) is set every time the power is applied. It can be cleared by the controller if desired.

INSTALLATION / SAFETY

Warning: Remove power from the i^3 controller, CAN port, and any peripheral equipment connected to this local system before adding or replacing this or any module.

- All applicable codes and standards should be followed in the installation of this product.
- Shielded, twisted-pair wiring should be used for best performance.
- Shields may be terminated at the module terminal strip.
- In severe applications, shields should be tied directly to the ground block within the panel.
- Use the following wire type or equivalent: Belden 8441.

When found on the product, the following symbols specify:



Warning: Consult user documentation.



Warning: Electrical Shock Hazard.