

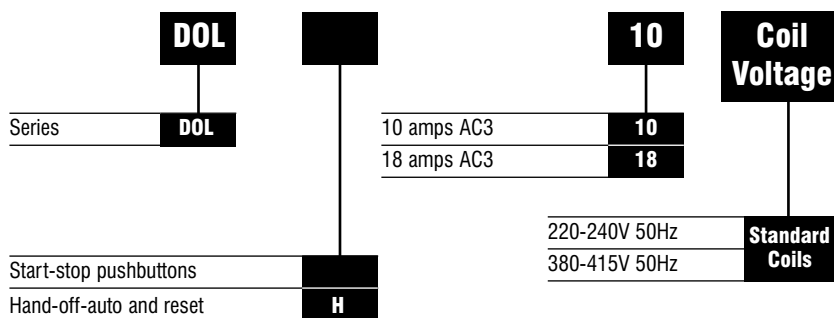
# DOL Starters



- Up to 7.5kW
- IP65 enclosure
- Start-Stop pushbuttons
- Hand-Off-Auto selector
- Wired to accept overload
- M20 x 1.5 conduit knockouts



## Options and ordering codes



## Specification

		DOL_10	DOL_18
Contactor		MC10-S-10	MC18-S-10
Overload (sold separately)		U12/16E...-MC	U12/16E...-MC
Max. frequency of operation		15/hour	
Max. temperature		40°C	
Ratings AC3 at 400V	Amps	10	18
	kW	4	7.5
	HP	6	11
Enclosure protection	DOL & DOLH	IP 65	
		IP 65	
Coil	Inrush VA	35 – 45	
	Hold VA	7 – 10	
	Voltage Range	0.85 – 1.1	
Cable cross section			
Line	Solid or stranded mm <sup>2</sup>	0.75 – 4	
	Flexible mm <sup>2</sup>	0.75 – 2.5	
	Flexible with multicore cable end mm <sup>2</sup>	0.5 – 2.5	
	Cables per clamp	2	
Motor	Solid or stranded mm <sup>2</sup>	0.75 – 6 + 0.75 – 2.5	
	Flexible mm <sup>2</sup>	0.75 – 4 + 0.5 – 2.5	
	Flexible with multicore cable end mm <sup>2</sup>	0.5 – 2.5 + 0.5 – 1.5	
	Cables per clamp	1 + 1	

## Selection and product ordering codes

### Starter

AC3 Rating at 400V			Description	Product
Amps	kW	HP		
10	4	6	Start-Stop P/B	DOL10
18	7.5	11.5	Start-Stop P/B	DOL18
10	4	6	H-O-A	DOLH10
18	7.5	11.5	H-O-A	DOLH18

Starters are wired to accept overload. Overloads supplied as separate item. Specify coil voltage.

### Overload

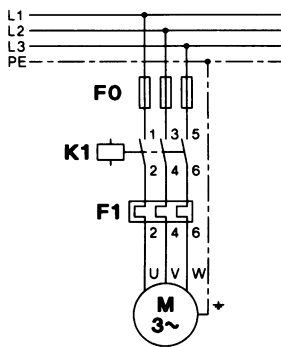
Range Amps	Product	Range Amps	Product
0.12–0.18	U1216E0.18-MC	2.7–4	U1216E4-MC
0.18–0.27	U1216E0.27-MC	4–6	U1216E6-MC
0.27–0.4	U1216E0.4-MC	6–9	U1216E9-MC
0.4–0.6	U1216E0.6-MC	8–11	U1216E11-MC
0.6–0.9	U1216E0.9-MC	10–14	U1216E14-MC
0.8–1.2	U1216E1.2-MC	13–18	U1216E18-MC
1.2–1.8	U1216E1.8-MC		
1.8–2.7	U1216E2.7-MC		

### Accessories

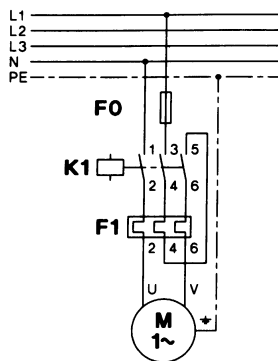
Description	Product
Normally open auxiliary – Max 3	MCA10
Normally closed auxiliary – Max 3	MCA01

## Circuit diagrams

### Wiring 3 Phase Motors

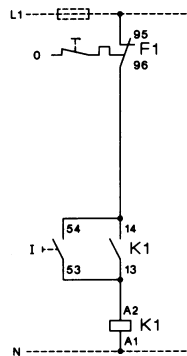


### Single Phase Motors

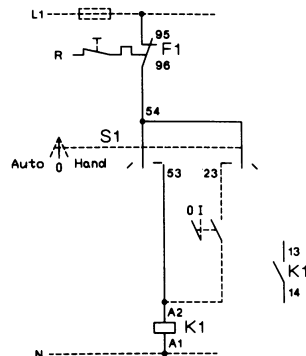


## Control circuit

### DOL10 & 18

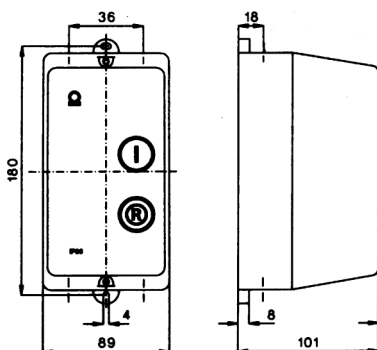


### DOLH10 & 18



## Dimensions (mm)

### DOL10 & 18



### DOLH10 & 18

