

SPD Surge Protection Devices

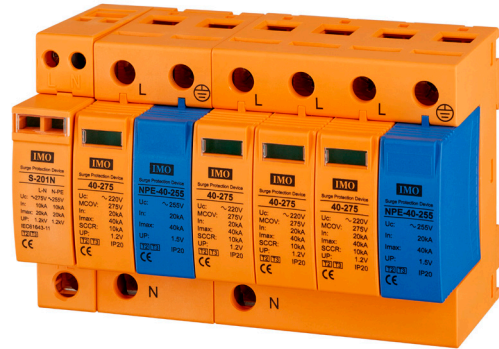


Key Features

- Compact 1P+N / 2P / 4P devices to cover all applications
- Competitively priced & available from stock
- Protects all earthing systems - TN, TT, IT - Type 2/3
- Suitable for 20kA & 40kA systems
- The only surge protection devices you'll need



Technical Datasheet



SPDS Compact Surge Protection Devices

Key Features

- Single module size (1P+N)
- Protects all earthing systems - TN, TT, IT - Type 2/3
- Suitable for 20kA & 40kA systems

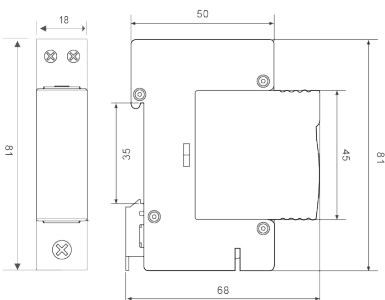


SPDS Technical Data

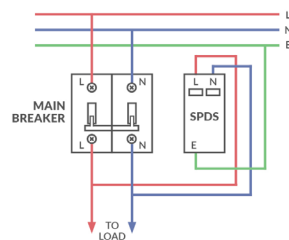
| | Universal Protection - Available From Stock |
|-----------------------------------|---|
| Part Number | SPDS-201N |
| Max. continuous operating voltage | 275V AC (L-N) , 255V AC (N-PE) |
| Max. discharge current | 20kA |
| Nominal discharge current | 10kA |
| Voltage protection | 1.2kV |
| Fuse Or Circuit Breaker | 20A |
| Combination method | 1+1 |
| Short circuit current | 500 A |
| Status indicator | Green window: Healthy / Red window: Replace |
| Wiring capacity | 2.5mm (L-N), 4mm (N-PE) |
| Degree of protection (IP code) | IP20 |
| Power supply network | TN, TT, IT |
| Mounting | Symmetrical Rail (EN50022/DIN46277-3) 35mm |
| Ambient temperature | -40°C +80°C |
| Ambient humidity | 5%-95% |
| Altitude | < 2000m |
| Standard conformity | IEC61643-11:2011, EN61643-11:2012 |

| | Other Configuration |
|-----------------------------------|---|
| Part Number | SPDS-401N |
| Max. continuous operating voltage | 275V AC (L-N) , 255V AC (N-PE) |
| Max. discharge current | 40kA |
| Nominal discharge current | 20kA |
| Voltage protection | 1.5kV |
| Fuse Or Circuit Breaker | 32A |
| Combination method | 1+1 |
| Short circuit current | 500 A |
| Status indicator | Green window: Healthy / Red window: Replace |
| Wiring capacity | 2.5mm (L-N), 4mm (N-PE) |
| Degree of protection (IP code) | IP20 |
| Power supply network | TN, TT, IT |
| Mounting | Symmetrical Rail (EN50022/DIN46277-3) 35mm |
| Ambient temperature | -40°C +80°C |
| Ambient humidity | 5%-95% |
| Altitude | < 2000m |
| Standard conformity | IEC61643-11:2011, EN61643-11:2012 |

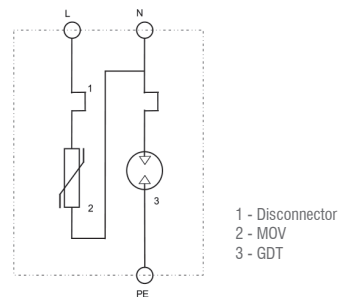
Dimensions (mm)



Wiring Diagram



Electrical Diagram



SPD Surge Protection Devices

SPDS Surge Protection Bases

| | |
|-------------------|--|
| Part Number | SPD1-BASE |
| Number Of Modules | 1 |
| Protection Rating | IP20 |
| Temperature Range | -40°C +80°C |
| Mounting | Symmetrical Rail (EN50022/DIN46277-3) 35mm |
| Housing Material | PA6 UL94-V0 |

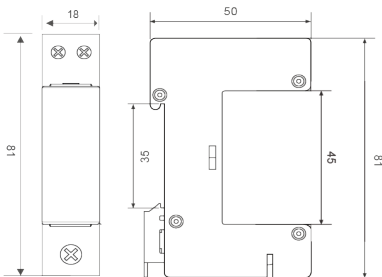


SPDS Surge Protection Modules

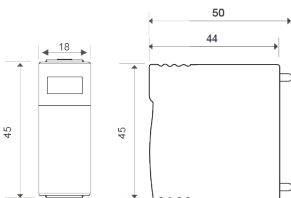
| Part Number | C-201N | C-401N |
|---------------------------------|---|--------|
| Type Of Network Systems | TN, TT, IT | |
| Maximum Continuous Voltage | 275V | 275V |
| Maximum Discharge Surge Current | 20kA | 40kA |
| Normal Discharge Current | 10kA | 20kA |
| Voltage Protection Level | 1.0kV | 1.2kV |
| Fuse Or Circuit Breaker | 20A | 32A |
| Response Time | <25ns | |
| Protection Rating | IP20 | |
| Temperature Range | -40°C +80°C | |
| Disconnection Indicator | Green window: Healthy / Red window: Replace | |



SPDS Surge Protection Base Dimensions (mm)



SPDS Surge Protection Module Dimensions (mm)



SPD Surge Protection Devices

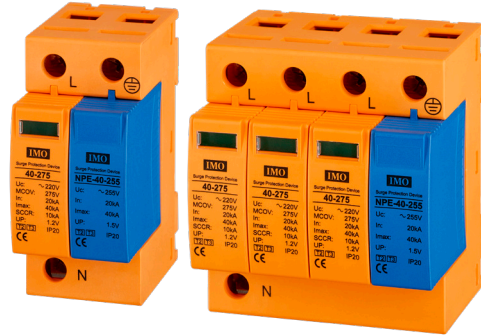


Key Features

- 2P / 4P devices to cover all applications
- Protects all earthing systems - TN, TT, IT - Type 2/3
- Suitable for 20kA & 40kA systems



Technical Datasheet

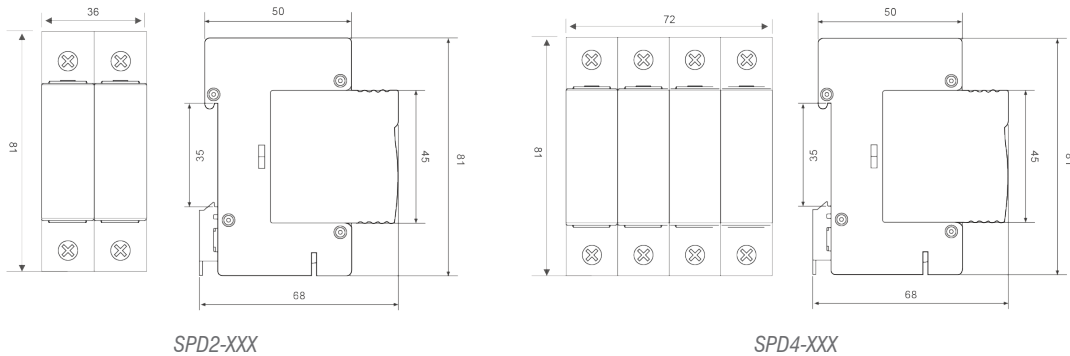


SPD Technical Data

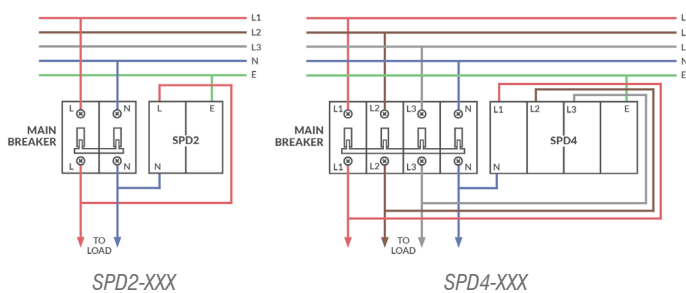
| | Universal Protection - Available From Stock | |
|------------------------------------|--|------------|
| Part Number | SPD2-401N | SPD4-403N |
| Type Of Network Systems | TN, TT, IT | TN, TT, IT |
| Maximum Continuous Voltage Ue | 275V | |
| Maximum Continuous Voltage Un | - | 400V |
| Maximum Discharge Surge Current | 40kA | 40kA |
| Normal Discharge Current | 20kA | 20kA |
| Voltage Protection Level | 1.2kV | 1.2kV |
| Fuse Or Circuit Breaker | 32A | 32A |
| Response Time | <25ns | |
| Remote Signalling Of Disconnection | Option | |
| Protection Rating | IP20 | |
| Connection | Screw Terminal: 4 to 25mm ² , By Busbar | |
| Temperature Range | -40°C +80°C | |
| Disconnection Indicator | Green window: Healthy / Red window: Replace | |
| Mounting | Symmetrical Rail (EN50022/DIN46277-3) 35mm | |
| Housing Material | PA6 UL94-V0 | |

| Other Configurations | | | | | |
|--|-------------|-------------|-------------|-------------|------------|
| SPD2-201N | SPD2-20-275 | SPD2-40-275 | SPD4-20-275 | SPD4-40-275 | SPD4-203N |
| TN, TT, IT | TN | TN | TN | TN | TN, TT, IT |
| 275V | | | | | |
| - | - | 400V | - | 400V | - |
| 20kA | 20kA | 40kA | 20kA | 40kA | 20kA |
| 10kA | 10kA | 20kA | 10kA | 20kA | 10kA |
| 1.0kV | 1.0kV | 1.2kV | 1.0kV | 1.2kV | 1.0kV |
| 20A | 20A | 32A | 20A | 32A | 20A |
| <25ns | | | | | |
| Option | | | | | |
| IP20 | | | | | |
| Screw Terminal: 4 to 25mm ² , By Busbar | | | | | |
| -40°C +80°C | | | | | |
| Green window: Healthy / Red window: Replace | | | | | |
| Symmetrical Rail (EN50022/DIN46277-3) 35mm | | | | | |
| PA6 UL94-V0 | | | | | |

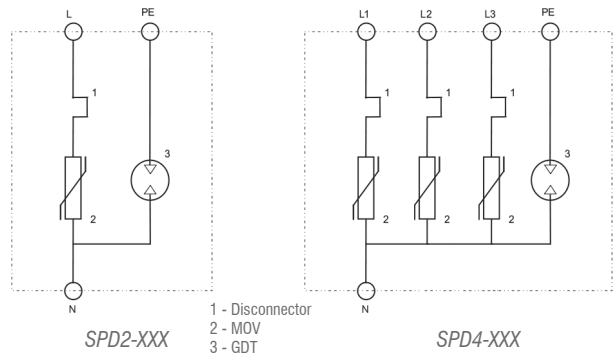
Dimensions (mm)



Wiring Diagram



Electrical Diagram



1 - Disconnector
2 - MOV
3 - GDT

SPD Surge Protection Devices

SPD Surge Protection Bases

| Part Number | SPD2P-BASE | SPD2PN-BASE | SPD4P-BASE | SPD4PN-BASE |
|-------------------|--|-------------|------------|-------------|
| Number Of Modules | 2 | 2 | 4 | 4 |
| Protection Rating | IP20 | | | |
| Temperature Range | -40°C + 80°C | | | |
| Mounting | Symmetrical Rail (EN50022/DIN46277-3) 35mm | | | |
| Housing Material | PA6 UL94-V0 | | | |

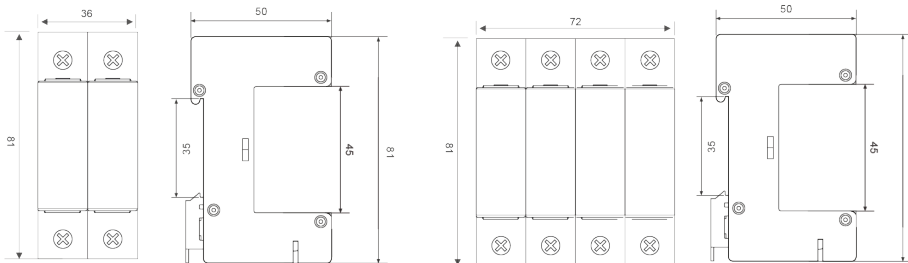


SPD Surge Protection Modules

| Part Number | SPDM-20-275 | SPDM-40-275 | SPDNPE-20-255 | SPDNPE-40-255 |
|---------------------------------|---|-------------|---------------|---------------|
| Type Of Network Systems | TN, TT, IT | | | |
| Maximum Continuous Voltage | 275V | 275V | 255V | 255V |
| Maximum Discharge Surge Current | 20kA | 40kA | 20kA | 40kA |
| Normal Discharge Current | 10kA | 20kA | 10kA | 20kA |
| Voltage Protection Level | 1.0kV | 1.2kV | 1.2kV | 1.5kV |
| Fuse Or Circuit Breaker | 20A | 32A | 20A | 32A |
| Response Time | < 25ns | | | |
| Protection Rating | IP20 | | | |
| Temperature Range | -40°C + 80°C | | | |
| Disconnection Indicator | Green window: Healthy / Red window: Replace | | - | - |



SPD Surge Protection Base Dimensions (mm)



SPD Surge Protection Module Dimensions (mm)

