

Photoelectric Fork Sensors FS3

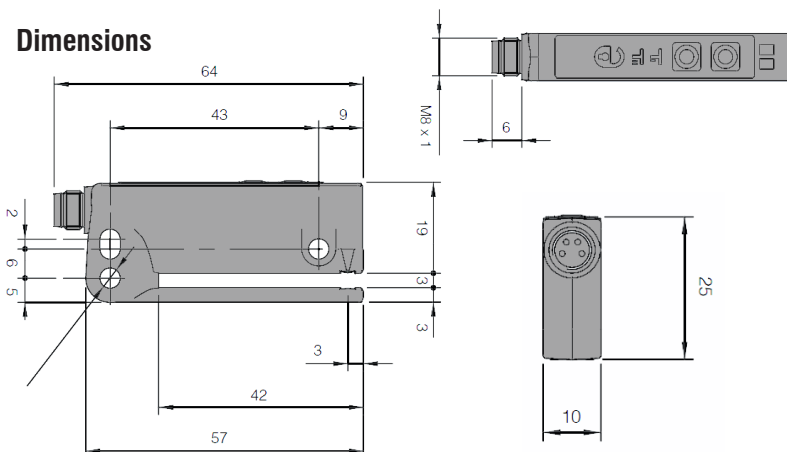
- Dynamic teach-in or manual adjustment with “+/-” buttons
- Minimum object detection and gap between labels 2mm
- Infrared emission
- Light ON/Dark ON selectable
- PNP or NPN option selectable
- Switching frequency 10kHz
- M8 connectors exit
- Operating temperature -20°C to +60°C



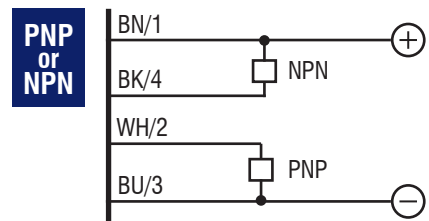
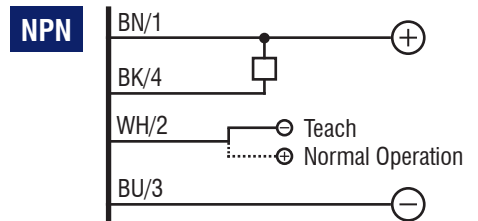
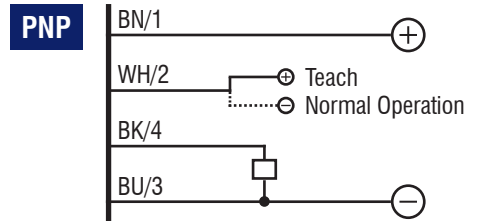
Specifications

Model	FS3/OP-OF	FS3/ON-OF	FS3/00-OF
Operating voltage	12-24VDC		
Maximum ripple	10%		
Reverse polarity protection	Yes		
Power on delay	50µS		
Output logic	PNP	NPN	PNP or NPN
Load current	100mA		
No load supply current	35mA		
Slot width	3mm		
Slot depth	42mm		
Minimum distance between labels	2mm		
Output drop voltage	≤2V @ I _L =100mA		
Emission	IR		
Maximum flow rate	200m/min		
Detection accuracy	+/-50µm at 150m/min		
Switching frequency	10kHz		
Operating temperature	-20 to +60°C		
Storage temperature	-30 to +80°C		
Protection degree	IP65, IEC (EN60529)		
Housing material	PA		
Exit	M8 plug 4 pole connector		
Weight	38g		

Dimensions

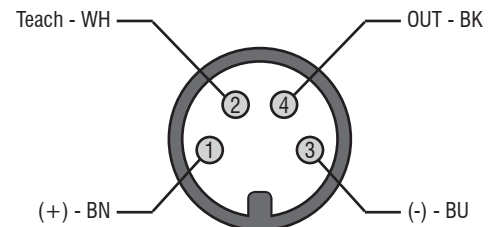


Connections



M8 Connector

FS3/OP-OF & FS3/ON-OF



FS3/00-OF

