

MC Contactors 3 Pole



Technical Datasheet

Key Features

- Up to 74A AC3
- Up to 130A AC1
- DIN Rail Mounting
- International Approvals
- Data according to IEC 947 / EN 60947



Options & Ordering Codes

MC 50 - S - 00 - 24

Series: Standard Contactor **MC**

AC3 Rating:

22kW / 50A	50
30kW / 62A	62
37kW / 74A	74

Switching Type: Standard **S**

Aux. Contact Configuration: **00**

Coil Voltage* **24 (24AC) = 24 (24DC)**

24 (24AC)	= 24 (24DC)
110 (110AC)	
230 (230AC)	
400 (400AC)	

* Other coil voltages available. Please contact IMO for more information.

Technical Data acc. to IEC / EN 60947-4-1

Part Number	MC50-S-00	MC62-S-00	MC74-S-10	
Main Contact Ratings	AC1 690V I _e (=I _{th}) open at 40°C	110A	120A	130A
	AC2, AC3, 380-440V	22kW / 50A	30kW / 62A	37kW / 74A
	AC2, AC3, 500-690V	30kW	37kW	45kW
	DC1 / 3 / 5, 24VDC (1 pole/3 poles in series)	110A	120A	130A
	Fuse "Typ1" gl. (gG)	160A max.	160A max.	160A max.
	Rated Insulation Voltage U _i *4	830V~	830V~	830V~
	Making Capacity I _{eff} at U _e = 690V~	700A	900A	900A
	Breaking Capacity I _{br} 400V~	600A	800A	800A
cosθ = 0.35 500V~	500A	700A	700A	
Max. Ambient Temp	Operation Open	-40 to +60°C (+90°C)*1		
	Operation Enclosed	-40 to +40°C		
	with Thermal Overload Relay Open	-25 to +60°C		
	with Thermal Overload Relay Enclosed	-25 to +40°C		
Storage	-50 to +90°C			
Frequency of Operations z Ops/hr	Switching Without Load	7,000		
	AC3, I _e	400		
	AC4, I _e	120		
Switching Time at Control Voltage Us ±10% (z, *3)	AC Operated	Make Time	12 - 28ms	
		Release Time	8 - 15ms	
		Arc Duration	10 - 15ms	
	DC Operated	Make Time	12 - 23ms	
		Release Time	10 - 18ms	
Mech. Life	AC Operated	10 x 10 ⁶		
	DC Operated with Dual-Wound Coils	10 x 10 ⁶		
Curr. Heat Loss	Power Loss Per Pole (I _e /AC3 400V)	2.2W	3.9W	5.5W
	Contact Resistance Per Pole	1.0mΩ	1.0mΩ	1.0mΩ
Shock Resistance acc. to IEC60068-2-27 - 20ms Sine Wave NO		8g		
Shock Resistance acc. to IEC60068-2-27 - 20ms Sine Wave NC		-		

*1 With reduced control voltage range 0.9 up to 1.0 x Us and with reduced rated current I_e / AC1 according to I_e / AC3

*2 Total breaking time = release time + arc duration

*3 Values for delay of the release time of the make contact and the make time of the break contact will be increased if magnet coils are protected against voltage peaks with integrated suppressor

*4 Suitable at 690V for earthed-neutral systems, overvoltage category I to IV, pollution degree 3 (standard industry); U_{imp} = 8kV. Data for other conditions upon request

MC Contactors 3 Pole



Technical Datasheet

Technical Data continued acc. to IEC / EN 60947-4-1

Part Number	MC50-S-00.. + MCA..	MC62-S-00.. + MCA..	MC74-S-00.. + MCA..	
Aux Contact Ratings	AC1 690V I _e (=I _{th}) open at 40°C	10A	10A	10A
MCA10 (NO)	AC15, 220-240V	3A	3A	3A
MCA01 (NC)	AC15, 380-440V	2A	2A	2A
Fuse "Typ1" gl. (gG)	20A max.	20A max.	20A max.	

NOTE: Maximum number of auxiliaries that can be added to AC operated contactors is 4. Maximum that can be added to DC operated contactors is 3.

Cable Cross Sections

	Contacts	Coils
Solid Strand (mm ²)	4.0 - 50.0	0.75 - 2.5
Flexible Strand (mm ²)	10.0 - 35.0	0.5 - 2.5
Solid Strand (AWG)	12 - 10	14 - 12
Flexible Strand (AWG)	10 - 0	18 - 12
Cables per Clamp	1	2
Terminal Screws	M6	M3.5
Screwdriver	Pozidrive Pz3	Pozidrive Pz2
Tightening Torque (Nm)	3.5 - 4.5	0.8 - 1.4
Tightening Torque (lb.inch)	31 - 40	7 - 12

Coil

	AC Operated	DC Operated
Operation Range	0.85 - 1.1	0.8 - 1.1
Inrush	140 - 165VA	200W
Sealed	13 - 18VA	6W

Weights & Dimensions

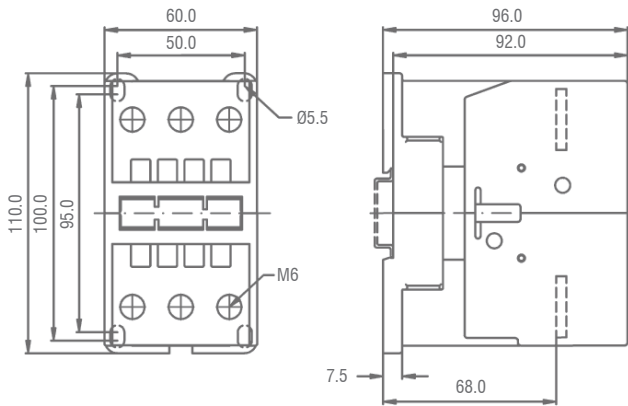
	AC Operated	DC Operated
Single Unit (inc. packaging)	0.85kg	0.90kg
Dimensions	112 x 63 x 99mm	112 x 62 x 115mm

Resistance to Climatic Conditions acc. to IEC60068

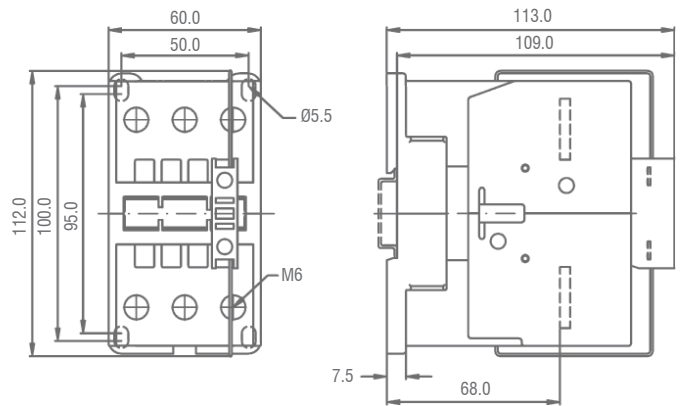
Open-type devices are climate-resistant in the constant climate according to IEC60068-2-78 (this is a climate with an ambient temperature of 40°C and an atmospheric humidity of 90 to 95%). Enclosed devices are climate-resistant in an alternating climate according to IEC 68-2-30 (this is a moist alternating climate with a 24-hour cycle between climates with an ambient temperature of 25°C, and an atmospheric humidity of 95 to 100% and an ambient temperature of 40°C, and an atmospheric humidity of 90 to 96% in the presence of condensation during rises in temperature). Note: Maximum operating altitude of 2000m above sea level.

Dimensions (mm)

AC Operated

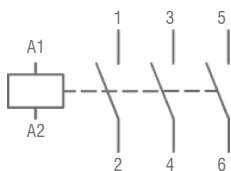


DC Operated

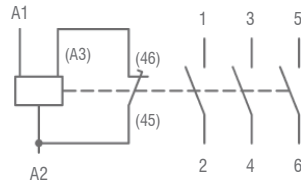


Wiring Diagrams

AC Operated



DC Operated



Mounting Position

