

# Fuse Switches 79/89 Series



- On load fuse switch to IEC 947-3
- 3 and 4 pole versions
- 20A to 630A
- Door interlocked handles – defeatable
- 3 padlock positions
- DIN rail and chassis mount versions
- Shaft length 100 - 500mm
- Full range of accessories



## Options and ordering codes

	CF Series		SF Series									
3 Pole	CF793020	CF793032	SF893032	SF893063	SF893100	SF893160	SF893200	SF893250	SF893315	SF893400	SF893630	SF893800
4 Pole	CF793N20	CF793N32	SF894032	SF894063	SF894100	SF894160	SF894200	SF894250	SF894315	SF894400	SF894630	SF894800
Rating												
AC21 - 400V Amps	20	32	32	63	100	160	200	250	315	400	630	800
AC22 - 400V Amps	20	32	32	63	100	160	200	250	315	400	630	800
AC23 - 400V Amps	20	32	32	63	100	160	200	250	315	400	630	800
Frame Size	CF89		1	2	3	4	5	5	6	6	7	8
BS88 Fuse size	A1		A2-A3		A4		B1-B2	B1-B3		B1-B4	C1-C2	
Handles												
Black – Rotary Door Interlock	79H1010		-				-				-	
Red/Yellow – Rotary Door Interlock	79H1011		-				-				-	
Black – Pistol Door Interlock	79H1005		79H1005				79H1008				79H1012	
Red/Yellow – Pistol Door Interlock	79H1006		79H1006				79H1009				79H1013	
Shaft Extensions												
Rotary Handle												
200mm	79E1014						-				-	
400mm	79E1015						-				-	
Pistol Handle												
120mm							79E1018				-	
200mm	79E1016						79E1010				79E1019	
250mm	-						79E1011				-	
300mm	-						-				-	
320mm	79E1017						79E1012				-	
450mm	-						-				79E1020	
500mm							79E1013				-	
Protection Covers												
Upper Terminals 3 pole	-				79S0016		79S1018				79S1020	
4 pole	-				79S0017		79S1019				79S1021	
Lower Terminals 3 pole	-				79S0016		79S1018				79S1020	
4 pole	-				79S0017		79S1019				79S1021	
Auxiliary Contacts												
Configurable Aux. Contact	-						79A0004				-	
Block side Mount	-						79A0005				-	
Drive Shaft Kit for above	-						79A0006				-	
Configurable auxiliary block holder (not required for CF series)	-						79A0007				-	
N/O contact for above	79A0007						79A0008				-	
N/C contact for above	79A0008						79A0009				79A1011	
Micro switch auxiliary contacts 1 NO/NC	-						79A0010				-	
Micro switch auxiliary contacts 2 NO/NC	-						-				79A1012	
Micro switch auxiliary contacts 2nd NO/NC	-						-				-	
Neutral Links												
Unswitched neutral link	-		79N1001		79N1002		79N1003		79N1004		-	

## Specification

<b>CF SERIES</b>		<b>CF793020 CF793N20</b>	<b>CF793032 CF793N32</b>	<b>SF893032 SF894032</b>	<b>SF893063 SF894063</b>
Rated insulation voltage	Ui	800	800	690	690
Rated thermal current	Ith	20	32	32	63
Ratings @ 400VAC					
AC22	A	20	32	32	63
AC23	A	20	32	32	63
Fuse size BS88		A1	A1	A1	A2-A3
Making capacity @ 400VAC					
AC23B	A Rms	200	320	320	630
Breaking capacity @ 400VAC					
AC23B	A Rms	160	256	256	500
Rated conditional short-circuit current BS88	kA Rms	80	80	80	100
Fuse switch cut off current	kA peak	6.5	6.5	9	10.6
Mechanical endurance	ops	20000	20000	10000	10000
Maximum cable size	mm <sup>2</sup>	2.5/16	2.5/16	6/25	10/25
Maximum Cu busbar width	mm	-	-	-	-
Maximum Torque Settings (Nm)					
On terminal bolt/On fuse bolt		2/1.6	2/1.6	5.4/1.57	5.4/2.94
On shaft securing bolt		1.5	1.5	6	6
Weight	3/4P Kg	0.5	0.5	1	1.3

<b>SF79 SERIES</b>		<b>SF893100 SF894100</b>	<b>SF893160 SF894160</b>	<b>SF893200 SF894200</b>	<b>SF893250 SF894250</b>	<b>SF893315 SF894315</b>	<b>SF893400 SF894400</b>	<b>SF893630 SF894630</b>
Rated insulation voltage	Ui	750	750	750	800	750	800	1000
Rated thermal current	Ith	100A	160A	200A	250A	315A	400A	630A
Ratings @ 400VAC								
AC22	A	100	160	200	250	315	400	630
AC23	A	100	160	200	250	315	400	630
Fuse size BS88		*1A4	A4	B1-B2	B1-B3	B1-B3	B1-B4	C1-C2
Making capacity @ 400VAC								
AC23	A Rms	1000	1600	2000	2500	3150	4000	6300
Breaking capacity @ 400VAC								
AC23	A Rms	800	1280	1600	2000	2520	3200	5040
Rated conditional short-circuit current	kA Rms	100	100	80	80	80	80	100
Rated peak withstand current	kA peak	17.6	20	20	32.5	44	44	58
Mechanical life		10000	10000	10000	10000	10000	10000	10000
Maximum cable size	mm <sup>2</sup>	25/95	50/95	50/95	95/240	185/240	185/240	2x150/2x300
Maximum Cu busbar width	mm	20	20	20	32	45	45	50
Maximum Torque Settings (Nm)								
On terminal bolt/On fuse bolt		12.75/12.75	12.75/12.75	12.75/12.75	25.48/12.75	25.48/12.75	25.48/12.75	44.10/25.48
On shaft securing bolt		6	6	6	6	6	6	-
Weight	3/4P Kg	2	2.3	4.5	4.5	6.1	6.1	19

\*1 Max. Fuse 31mm

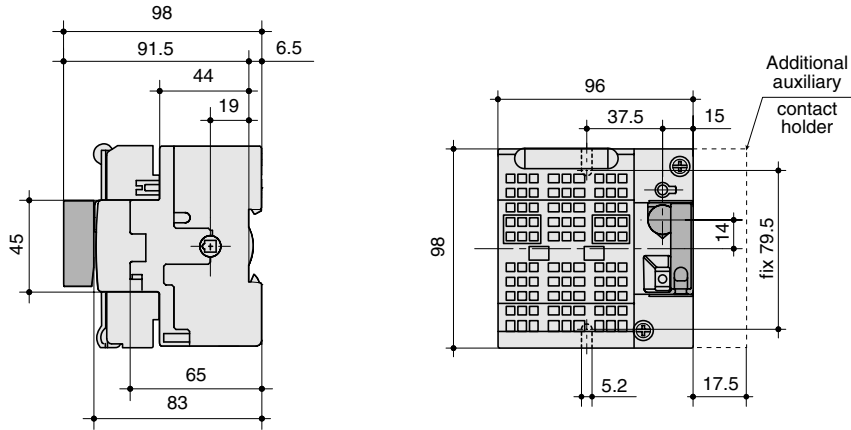
\* Note: Please ensure that the cut off current of the fuse links does not exceed the values given for the fuse switches.

# Fuse Switches 79/89 Series continued

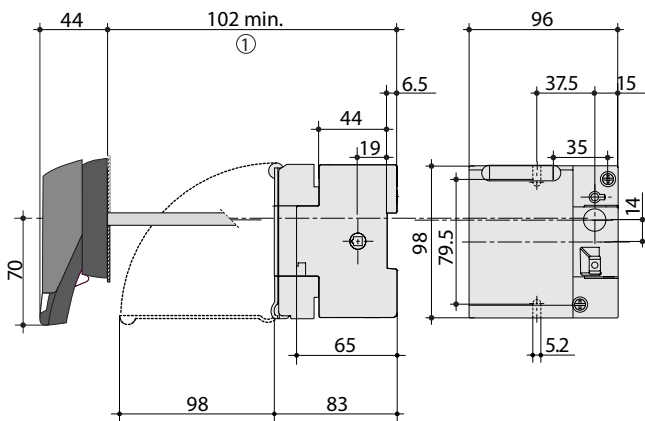


## Dimensions (mm)

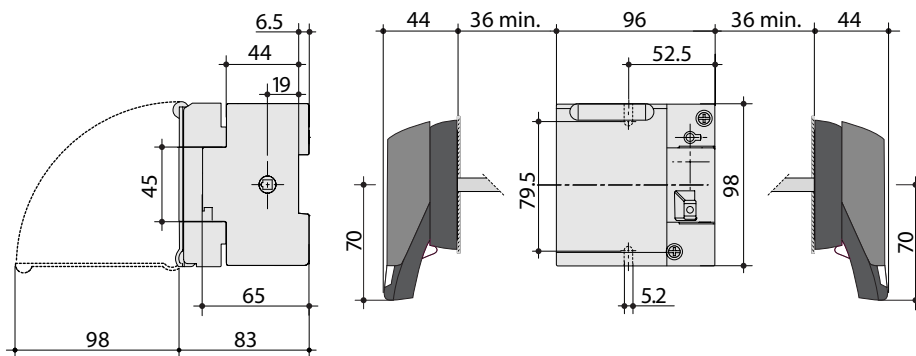
### CF series



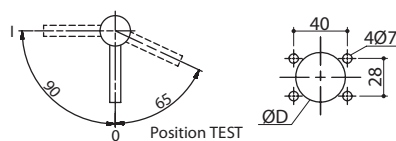
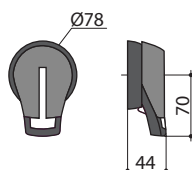
**External front operation**



**Side operation**

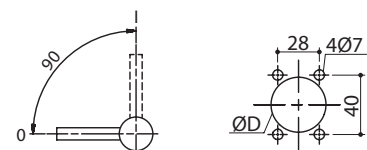


### Door Drilling



**Front operation**

Conventional fixing (from rear): D = 31 to 37 mm.  
Fast fixing (external, door closeddd): D = 37 mm.

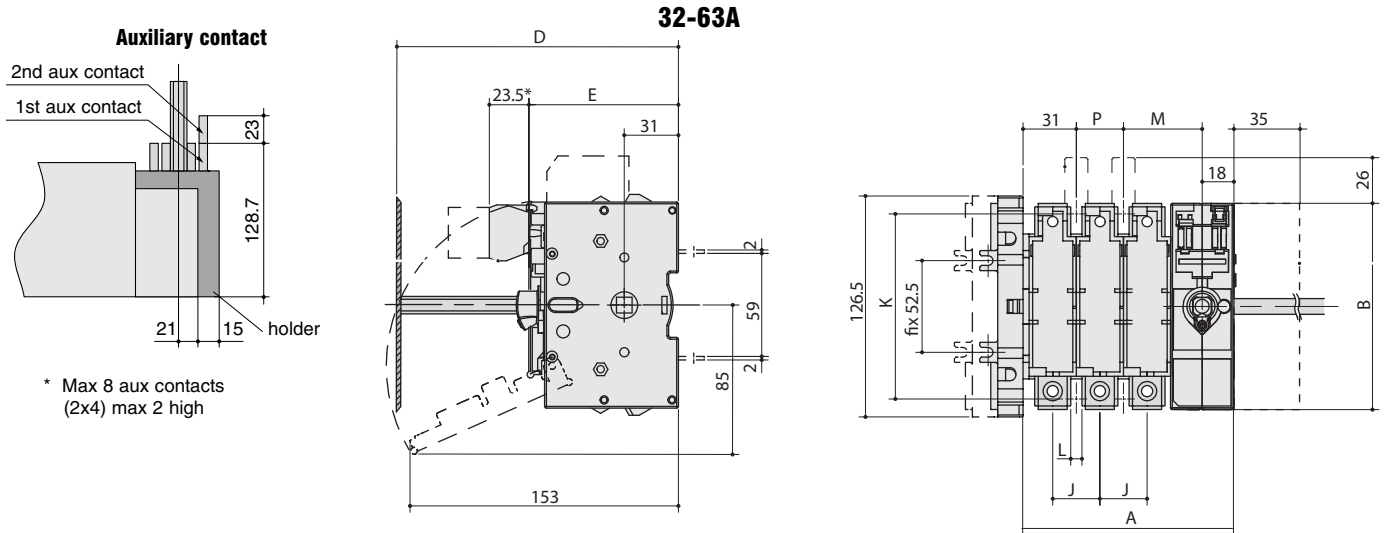


**Side operation**

Conventional fixing (from rear): D = 31 to 37 mm.  
Fast fixing (external, door closeddd): D = 37 mm.

## Dimensions (mm)

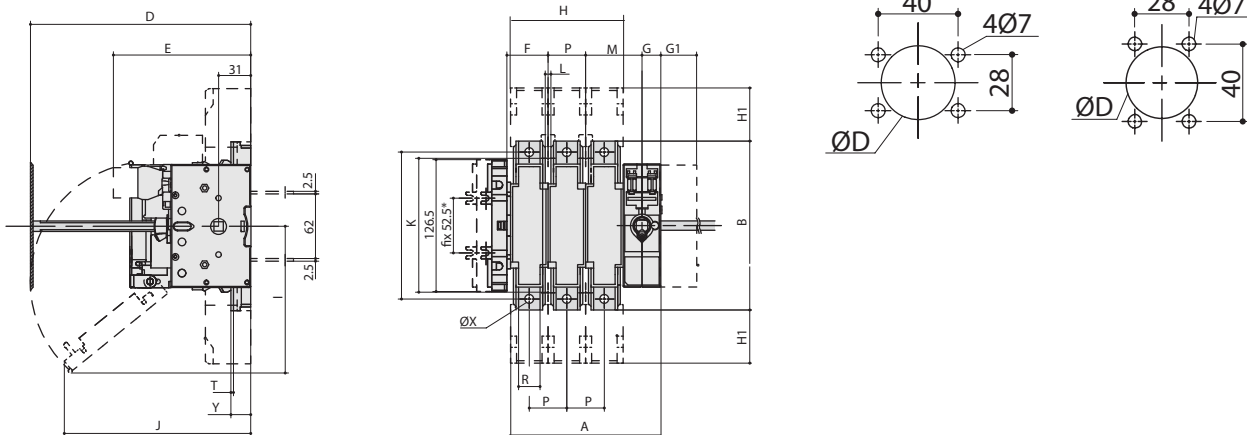
### SF series



Frame Size	Fuse Size	No of Poles	Overall Dimensions				Switch Mounting													
			A	B	D min	E	J	K	L	M	P									
	BS 88																			
1	A1	3	121	118	100	87	27	106	6	45	27									
1	A1	4	148	118	100	87	27	106	6	45	27									
2	A2-A3	3	136	118	139	132	32	106	5.4	50	32									
2	A2-A3	4	168	118	139	132	32	106	5.4	50	32									

### 100-400A

### Door drilling



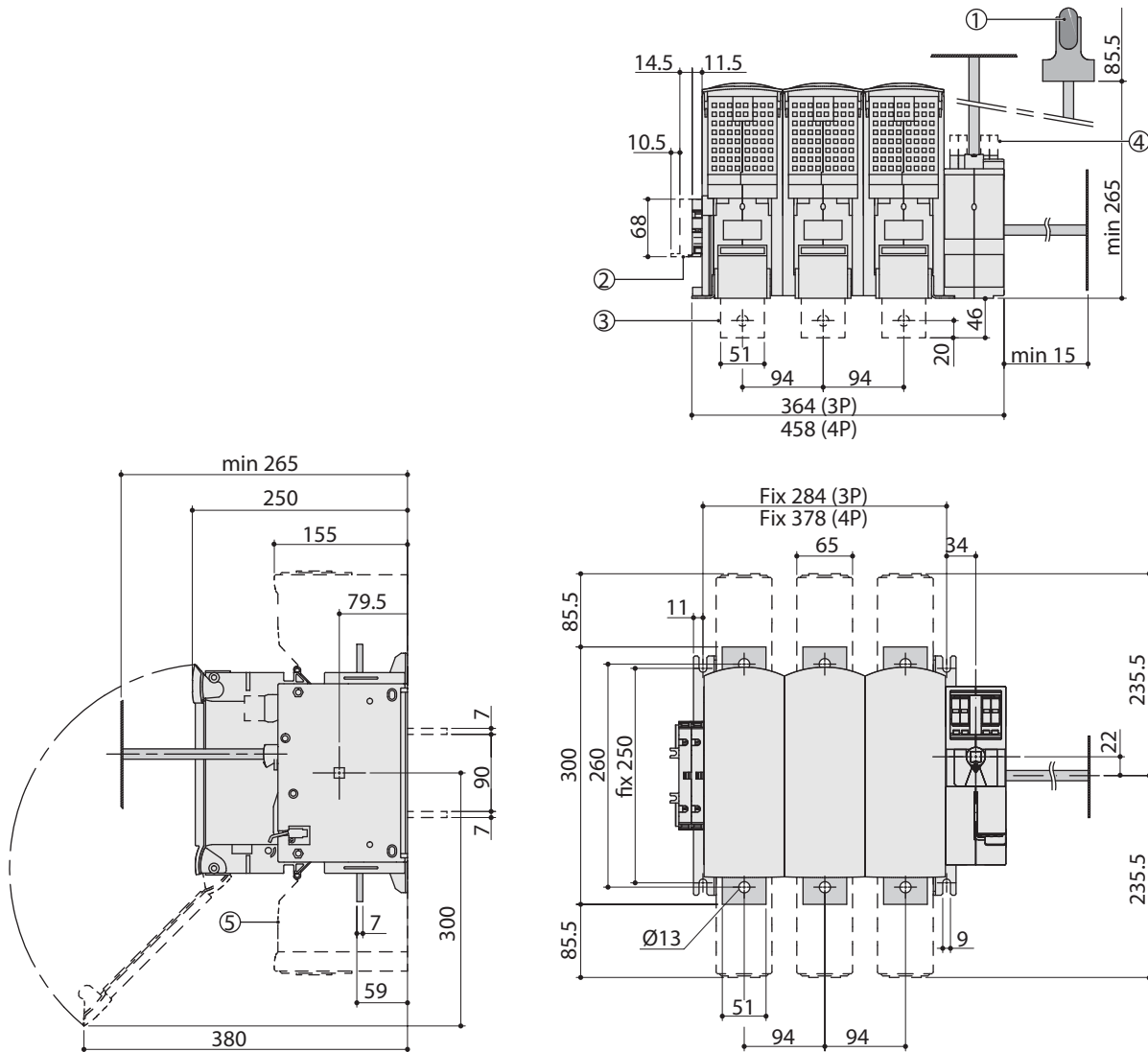
Frame Size	Fuse Size	No of Poles	Overall Dimensions											Switch Mounting				Connection Terminal			
			A	B	D min	E	F	G	G <sub>1</sub>	H	H <sub>1</sub>	I	J	K	L	M	P	R	T	ØX	Y
	BS 88																				
3	A4 Ø31	3	148	162	139	132	40	18	35	130	53	141	179	127	5.4	54	36	20	2.5	8.5	19.5
3	A4 Ø31	4	184	162	139	132	40	18	35	130	53	141	179	127	5.4	54	36	20	2.5	8.5	19.5
4	A4/B1-B2	3	190	162	145	136.5	54	18	35	154	53	174	229	140	5.4	68	50	20	2.5	8.5	19.5
4	A4/A1-B2	4	240	162	145	136.5	54	18	35	154	53	174	229	140	5.4	68	50	20	2.5	8.5	19.5
5	B1/B2-B3	3	234	195	154	146	64	25	35	185	75	185	251	162	6.4	86	60	32	2.5	11	19.5
5	B1/B2-B3	4	294	195	154	146	64	25	35	145	75	185	251	162	6.4	146	60	32	2.5	11	19.5
6	B1 to B4	3	252	205	157	149	70	25	35	202	75	200	260	172	6.4	91	66	50	3	11	20
6	B1 to B4	4	318	205	157	149	70	25	35	202	75	200	260	172	6.4	91	66	50	3	11	20

# Fuse Switches 79/89 Series continued



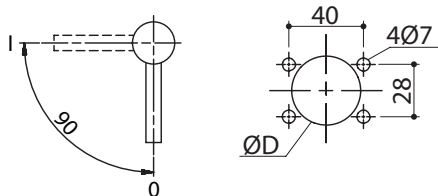
## Dimensions (mm)

630 to 800A



### Door drilling

Front operation



Side operation

