

Isolators 79 Series



- On load Isolators to IEC 947-3
- 3, 4, 6 and 8 pole versions
- 63A to 630A
- Door interlocked handles
- 3 padlock positions
- DIN rail and chassis mount versions
- Shaft length 100 - 500mm
- Full range of accessories



Options and ordering codes

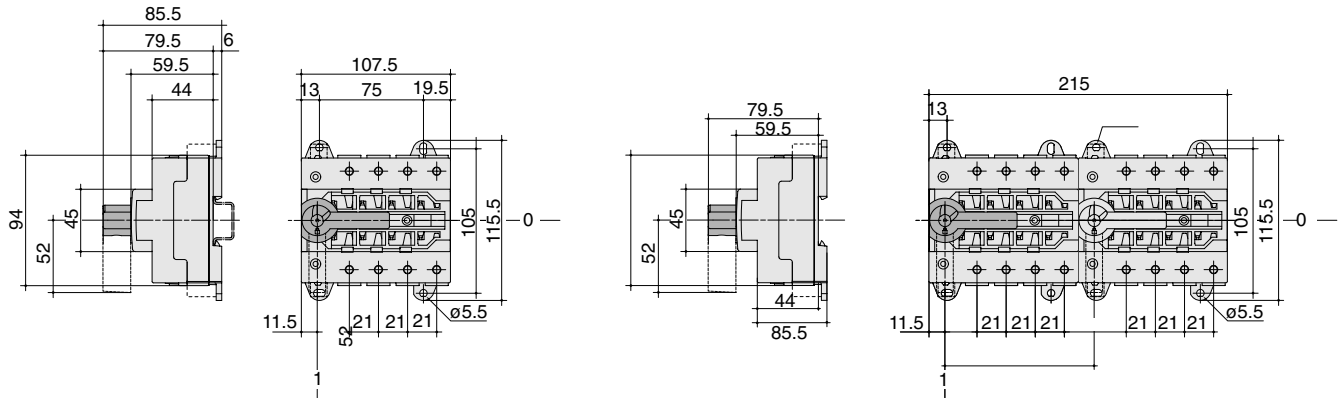
	CM series							MS series						
3 Pole	CM793063	CM793080	CM793100	CM793125	CM793125X	CM793160	CM793200	MS793125	MS793160	MS793200	MS793250	MS793315	MS793400	MS793630
4 Pole	CM794063	CM794080	CM794100	CM794125	CM794125X	CM794160	CM794200	MS794125	MS794160	MS794200	MS794250	MS794315	MS794400	MS794630
6 Pole	CM796063	CM796080	CM796100	CM796125	-	-	-	-	-	-	-	-	-	-
8 Pole	CM798063	CM798080	CM798100	CM798125	-	-	-	-	-	-	-	-	-	-
Rating														
AC21 - 400V Amps	63	80	100	125	125	160	200	125	160	200	250	315	400	630
AC22 - 400V Amps	63	80	100	125	125	160	200	125	160	200	250	315	400	630
AC23 - 400V Amps	63	63	63	63	125	160	200	125	160	200	250	315	400	500
Handles														
Black – Pistol Door Interlock	79H1005							79H1008						
Red/Yellow – Pistol Door Interlock	79H1006							79H1009						
Pistol Handle 120mm	-							-			79E1009			
200mm	79E1005							79E1010						
250mm	-							-			79E1011			
320mm	-							-			79E1012			
400mm	79E1008							-						
500mm	-							-			79E1013			
Protection Covers														
Upper Terminals 3 pole	N/A			79S0001				79S1002		79S1004		79S1006		
4 pole	N/A			79S0001				79S1010		79S1012		79S1014		
Lower Terminals 3 pole	N/A			79S0001				79S1002		79S1004		79S1006		
4 pole	N/A			79S0001				79S1010		79S1012		79S1014		
Cable Clamps														
3 Pole	-			79C0001				-						
4 Pole	-			79C0002				-						
Auxiliary Contacts														
1st NO + NC	79A0001			79A0001				79A0002						
2nd NO + NC	79A0001			79A0001				79A0003						

Specification

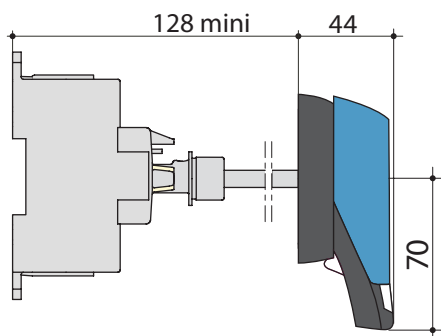
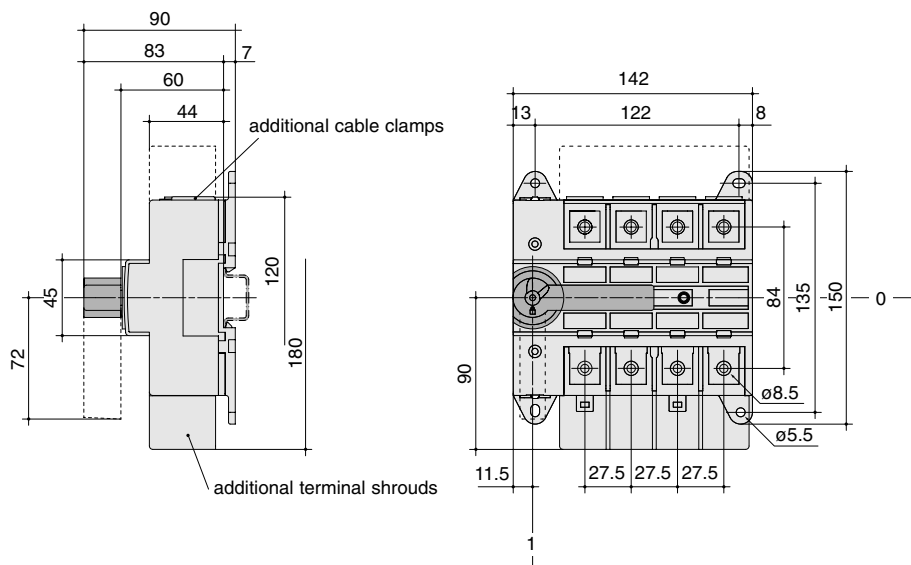
CM79 SERIES		CM793063 CM794063 CM796063 CM798063	CM793080 CM794080 CM796080 CM798080	CM793100 CM794100 CM796100 CM798100	CM793125 CM794125 CM796125 CM798125	CM793125X CM794125X -	CM793160 CM794160 -	CM793200 CM794200 -
Rated insulation voltage	Ui	690	690	690	690	690	690	690
Rated thermal current	Ith	63A	80A	100A	125A	125A	160A	200A
Ratings @ 400VAC								
AC21B	A	63	80	100	125	125	160	200
AC22B	A	63	80	100	125	125	160	200
AC23B	A	63	63	63	63	125	160	200
Making capacity @ 400VAC AC23B A Rms		630	630	630	630	1250	1600	2000
Breaking capacity @ 400VAC AC23B A Rms		504	504	504	504	1000	1280	1600
Fuse protected short-circuit withstand (kA Rms prospective)		100	100	100	50	50	50	50
Rated peak withstand current		12	12	12	12	16	16	16
Mechanical life		20000	20000	20000	20000	10000	10000	10000
Maximum cable size		35	35	35	35	70	70	70
Weight								
	Kg 3P	0.6	0.6	0.7	0.7	0.9	0.9	0.9
	Kg 4P	0.7	0.7	0.8	0.8	1	1	1
	Kg 6P	1.2	1.2	1.4	1.4	1.8	1.8	1.8
	Kg 8P	1.4	1.4	1.6	1.6	2	2	2
MS79 SERIES		MS793125 MS794125	MS793160 MS794160	MS793200 MS794200	MS793250 MS794250	MS793315 MS794315	MS793400 MS794400	MS793630 MS794630
Rated insulation voltage	Ui	800	800	800	800	1000	1000	1000
Rated thermal current	Ith	125A	160A	200A	250A	315A	400A	630A
Ratings @ 400VAC								
AC21	A	125	160	200	250	315	400	630
AC22	A	125	160	200	250	315	400	630
AC23	A	125	160	200	250	315	400	500
Making capacity @ 400VAC AC23 A Rms		1250	1250	2000	2500	3150	4000	4000
Breaking capacity @ 400VAC AC23 A Rms		1000	1280	1600	2000	2520	3200	4000
Fuse protected short-circuit withstand (kA Rms prospective)		100	100	100	100	100	100	70
Rated peak withstand current		7	7	9	9	26	13	13
Mechanical life		10000	10000	10000	10000	5000	5000	5000
Maximum cable size		95	95	95	150	240	240	240
Weight								
	Kg 3P	1	1.5	2	2	3.5	3.5	3.5
	Kg 4P	1.5	1.5	2	2	4	4	4.5

Dimensions (mm)

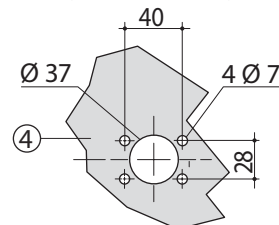
CM ratings 63-125A



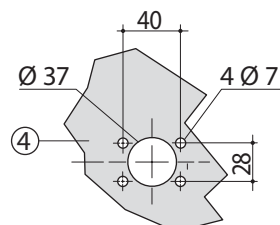
CM ratings 125X-200A



Door drilling details for rotary handle

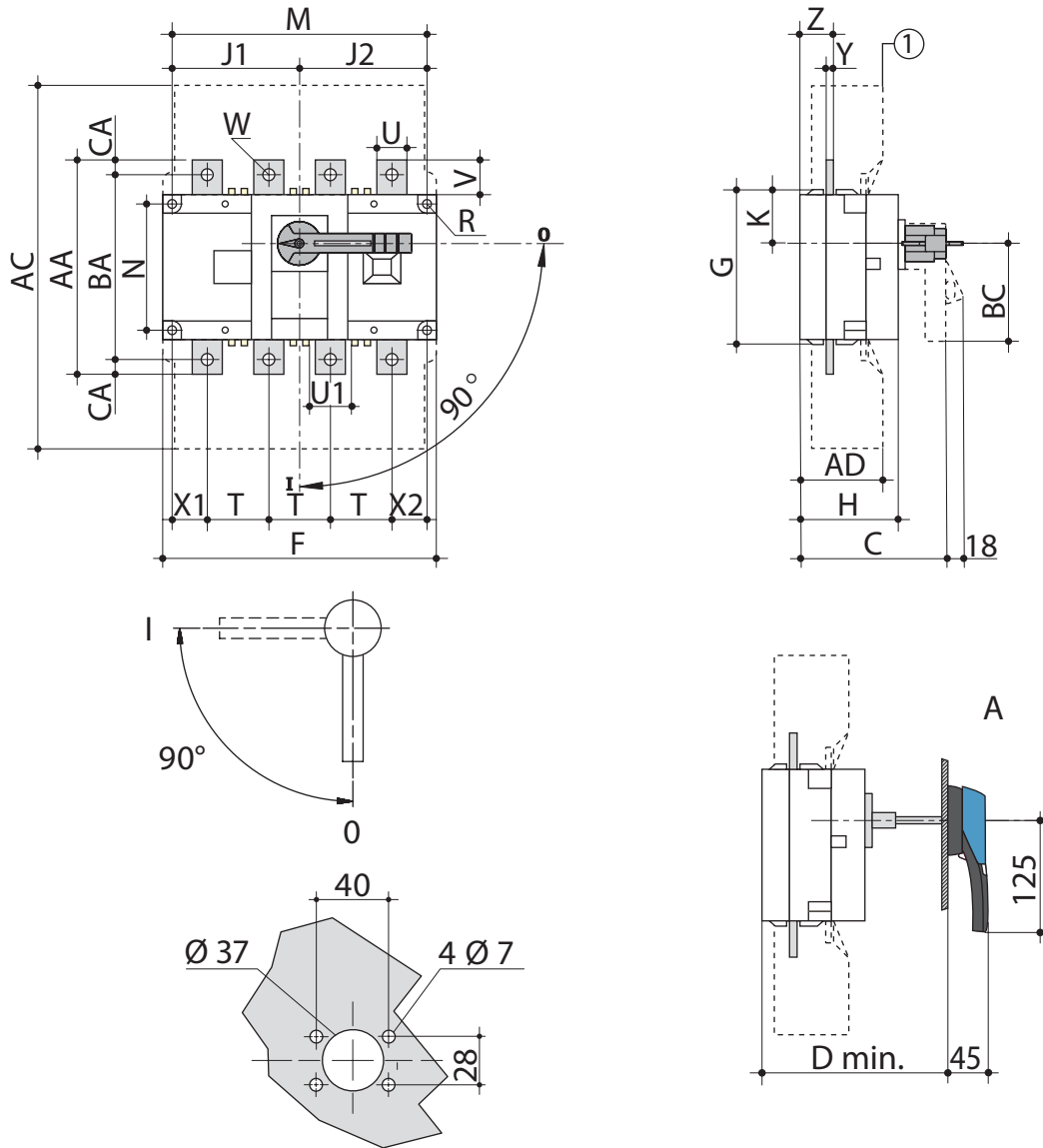


Door drilling details for pistol handle



Dimensions (mm)

MS 125-630A



Rating	Overall dimensions		Terminal shrouds		Switch body								Switch mounting				Connection terminals													
	C	D min.	AC	AD	F 3p.	F 4p.	G	H	J1 3p.	J1 4p.	J2	K	BC	M 3p.	M 4p.	N	R	T	U	U1	V	W	X1 3p.	X1 4p.	X2	Y	Z	AA	BA	CA
125	115	125	235	50	140	170	93	65	45	75	75	31.5	80	120	150	65	5.5	36	20	20.5	25	9	28	22	20	3.5	20.5	135	115	10
160	115	125	235	50	140	170	93	65	45	75	75	31.5	80	120	150	65	5.5	36	20	20.5	25	9	28	22	20	3.5	20.5	135	115	10
200	125	135	280	60	180	230	108	75	55	105	105	34	115	160	210	80	5.5	50	25	25.5	30	11	33	33	27	3.5	22.5	160	130	15
250	125	135	280	60	180	230	108	75	55	105	105	34	115	160	210	80	5.5	50	25	25.5	30	11	33	33	27	3.5	22.5	160	130	15
315	160	165	401	89	230	290	170	110	75	135	135	55	115	210	270	140	7	65	32	45.5	37.5	11	42.5	37.5	37.5	5	36	235	205	15
400	160	165	401	89	230	290	170	110	75	135	135	55	115	210	270	140	7	65	32	45.5	37.5	11	42.5	37.5	37.5	5	36	235	205	15
500	160	165	401	89	230	290	170	110	75	135	135	55	115	210	270	140	7	65	32	45.5	37.5	13	42.5	37.5	37.5	5	36	235	205	15
630	160	165	400	89	230	290	170	110	75	135	135	55	115	210	270	140	7	65	45	45.5	50	13	42.5	37.5	37.5	5	36	260	220	20