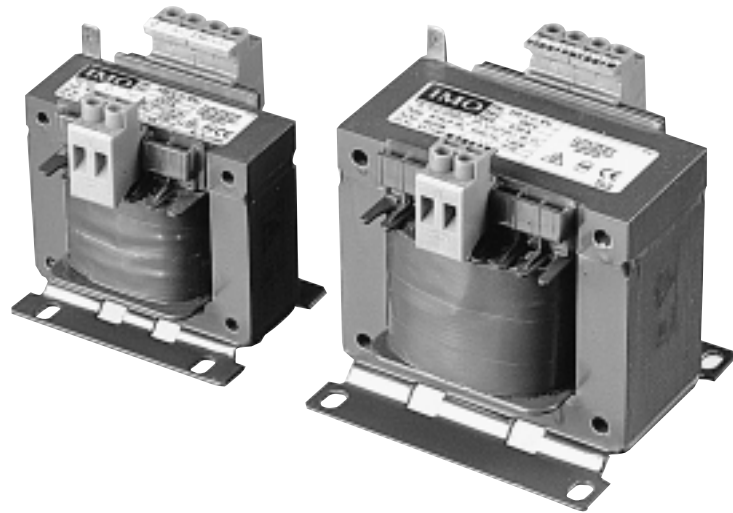


Transformers



- 50 - 1600VA
- 230 or 400V $\pm 5\%$ primary
- 24 - 110 - 230V secondary
- Designed to EN 60742
- CE marked
- Isolation to T40/B
- Dip impregnated
- Add-on primary fuse - optional
- Add-on earth terminal - optional
- UL, CSA approvals



Options and ordering codes

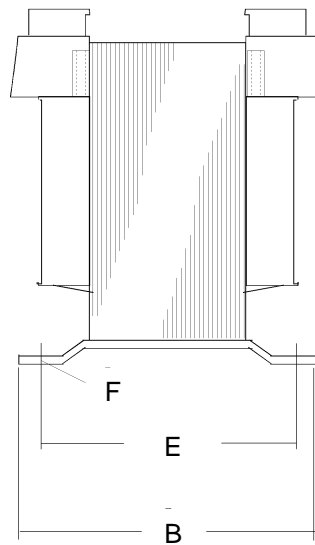
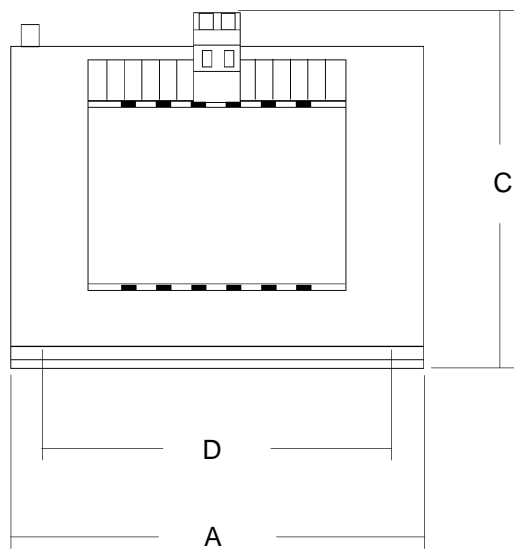
Rating VA	Primary Volts 230 $\pm 5\%$			Primary Volts 400 $\pm 5\%$		
	Secondary Volts	Primary Fuse Optional	Product Code	Secondary Volts	Primary Fuse Optional	Product Code
50	24	0.40A	MTSN-P-50-230-024	24	0.16A	MTSN-P-50-400-024
	110	0.40A	MTSN-P-50-230-110	110	0.16A	MTSN-P-50-400-110
	230	0.40A	MTSN-P-50-230-230	230	0.16A	MTSN-P-50-400-230
63	24	0.40A	MTSN-P-63-230-024	24	0.25A	MTSN-P-63-400-024
	110	0.40A	MTSN-P-63-230-110	110	0.25A	MTSN-P-63-400-110
	230	0.40A	MTSN-P-63-230-230	230	0.25A	MTSN-P-63-400-230
100	24	0.63A	MTSN-P-100-230-024	24	0.40A	MTSN-P-100-400-024
	110	0.63A	MTSN-P-100-230-110	110	0.40A	MTSN-P-100-400-110
	230	0.63A	MTSN-P-100-230-230	230	0.40A	MTSN-P-100-400-230
160	24	1.00A	MTSN-P-160-230-024	24	0.63A	MTSN-P-160-400-024
	110	1.00A	MTSN-P-160-230-110	110	0.63A	MTSN-P-160-400-110
	230	1.00A	MTSN-P-160-230-230	230	0.63A	MTSN-P-160-400-230
250	24	1.60A	MTSN-P-250-230-024	24	1.00A	MTSN-P-250-400-024
	110	1.60A	MTSN-P-250-230-110	110	1.00A	MTSN-P-250-400-110
	230	1.60A	MTSN-P-250-230-230	230	1.00A	MTSN-P-250-400-230
400	24	2.50A	MTSN-P-400-230-024	24	1.60A	MTSN-P-400-400-024
	110	2.50A	MTSN-P-400-230-110	110	1.60A	MTSN-P-400-400-110
	230	2.50A	MTSN-P-400-230-230	230	1.60A	MTSN-P-400-400-230
500	24	3.15A	MTSN-P-500-230-024	24	2.00A	MTSN-P-500-400-024
	110	3.15A	MTSN-P-500-230-110	110	2.00A	MTSN-P-500-400-110
	230	3.15A	MTSN-P-500-230-230	230	2.00A	MTSN-P-500-400-230
800	24	5.0A	MTSN-P-800-230-024	24	3.15A	MTSN-P-800-400-024
	110	5.0A	MTSN-P-800-230-110	110	3.15A	MTSN-P-800-400-110
	230	5.0A	MTSN-P-800-230-230	230	3.15A	MTSN-P-800-400-230
1000	24	6.3A	MTSN-P-1000-230-024	24	4.0A	MTSN-P-1000-400-024
	110	6.3A	MTSN-P-1000-230-110	110	4.0A	MTSN-P-1000-400-110
	230	6.3A	MTSN-P-1000-230-230	230	4.0A	MTSN-P-1000-400-230
1300	24	8.0A	MTSN-P-1300-230-024	24	5.0A	MTSN-P-1300-400-024
	110	8.0A	MTSN-P-1300-230-110	110	5.0A	MTSN-P-1300-400-110
	230	8.0A	MTSN-P-1300-230-230	230	5.0A	MTSN-P-1300-400-230
1600	24	10.0A	MTSN-P-1600-230-024	24	6.3A	MTSN-P-1600-400-024
	110	10.0A	MTSN-P-1600-230-110	110	6.3A	MTSN-P-1600-400-110
	230	10.0A	MTSN-P-1600-230-230	230	6.3A	MTSN-P-1600-400-230

Accessories

Add-on Primary Fuse	MTSNP (+ Fuse Rating)
Add-on Earth Terminal	MTSNP Term Earth

Dimensions (mm)

Dimensions (mm)	VA Rating										
	50	63	100	160	250	400	500	800	1000	1300	1600
A	66	78	84	96	96	120	120	150	150	174	174
B	79	76	80	94	144	138	158	150	176	160	180
C	79	85	90	101	101	131	131	153	153	169	169
D	50	56	64	84	84	90	90	122	122	135	135
E	55	48	50	73	86	85	104	106	130	112	132
F	4.8	4.8	4.8	5.8	5.8	5.8	5.8	7	7	7	7
Weight Kg.	1.0	1.1	1.8	2.6	3.4	4.9	6.4	9.5	12	17.5	17.5



Marking

0 V	-5%	230 V	+5%
0 V	-5%	400 V	+5%
1.1	1.3	1.4	1.2

