

CURRENT INTENSITY INDICATORS

PURPOSE

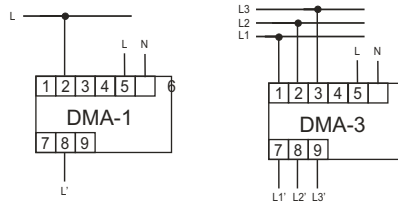
Current intensity indicators are devised to continually measure the value of the current in a circuits of single-phase network.

DIGITAL

DMA-1 DMA-1 True RMS One phase indicator.

DMA-3 DMA-3 True RMS Three phase indicator.

- * independent current measurement for each phase
- * indicators with True RMS marking, equipped with RMS value converter, give proper voltage value for deflected run



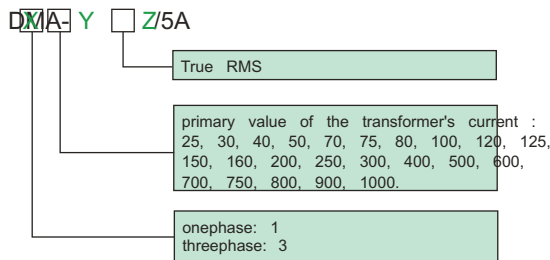
supply	100+300V AC
frequency	45+55Hz
max. measured current	20A
max. temporary overloading of current	40A (<1sec)
indication precision	DMV-1; DMV-3
	True RMS DMV-3 True RMS 0,5%
display for one phase	3×segment LED 10×6mm
power consumption	4W
connection	screw terminals 2,5mm ²
working temperature	-25+50C
dimensions	3 moduly (52,5mm)
fixing	on rail TH-35

DMA indicators are intended for current transformers with a rated secondary current of 5A. The current range for these is from 25 to 1000/5 A. The primary value of the transformer's current specifies the maximum measured current and the value displayed by the indicator.

The DMA-20A and DMA-3 20A are intended for direct measurements (without transformers applied) with a range of 0-20 A.

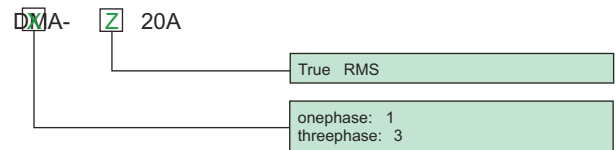
Order labelling method:

INDIRECT MEASUREMENT (with transformers applied)



Example:
 * DMA-150/5A a one-phase device for 50/5A transformer, measurement range at 650A, no TrueRMS;
 * DMA-3150/5 A TrueRMS a three-phase ×150/5A transformers, measurement range at 65-150 A, incl. TrueRMS.

DIRECT MEASUREMENT (without transformers)

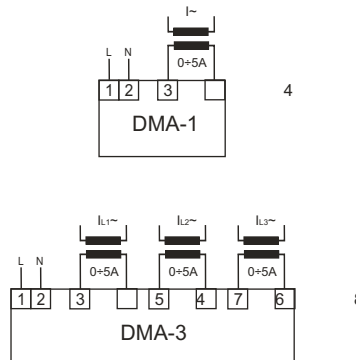


Przykład:
 * DMA-1 20A - jednofazowy do 20A, zakres mierzony 0+20A, bez TrueRMS
 * DMA-3 20A TrueRMS - trójfazowy do 20A, zakres mierzony 3x0+20A, z TrueRMS

DMA-1T One phase indicator.

DMA-3T Three phase indicator.

- * direct measurement 0+5A
- * indirect measurement using current transformers
- * setting indicator to proper current transformer values using three buttons on the indicator's front
- * indirect measurement using current transformers in standard current work with 1+9000/5A range.



supply	230V AC
max. current of direct measurement	single phase 5A
max. current of indirect measurement	dependent on applied current transformer
possible type of current transformer to connect	1+9000/5A
indication precision	1%
display	DMA-1T ×segment LED 14×8mm
	DMA-3T ×segment LED 14×8mm)
power consumption	3VA
connection	screw terminals 2,5mm ²
working temperature	-5+50C
dimensions	DMA-1T ×72×92mm72
	DMA-3T ×96×92mm96
fixing hole	DMV-1T ×66mm 66
	DMV-3T ×92mm 92