

Distribution blocks OJL are intended for distributing conductors with larger cross-section to several smaller ones. These blocks are provided in 6 standard designs with a nominal connecting cross-section of 70 mm² AL/CU (6 outputs for copper cable), 120 mm² AL/CU (11 outputs for copper cable) and 240 mm² AL/CU (7 outputs for copper cable). AF and AFS models are designed for connecting (input) of flexibars 10 x 25 mm or several other bars of 1 x 25 mm (look more about insulated copper flexibars Moflex on page 56).

The screws are tightened by a hexagonal key. Blocks can be installed on a standard DIN rail or can be mounted using screws on a flat solid surface. Maximum operating temperature is 80 °C. Cover sealing is possible on AS and AFS models. Housing for all design types has a protection class IP20.



OJL 200A



OJL 280A

Black / Grey		MAB1201S10	MAB1281S10
Blue / Grey		MAB1201B10	MAB1281B10
Green / Grey		MAB1201G10	MAB1281G10

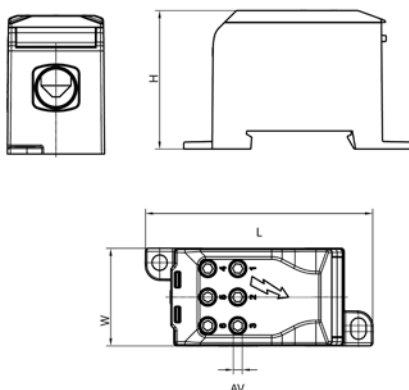
Technical data

Conductor cross-section	
Input wire AL/CU (mm ²)	1 x 10 - 70
Output wire CU (mm ²)	6 x 2,5 - 16
Nominal voltage AC/DC (V)	1000
Nominal current (A)	200 (CU) / 160 (AL)
Width / Height / Length (mm)	32,4 / 46 / 75,8
Screw, hexagonal key	No. 3 / 5
Tightening torque (Nm)	3 Nm (2,5 - 16 mm ²) 6 Nm (25 - 35 mm ²) 10 Nm (50 - 70 mm ²) -
Mounting	DIN rail, screw
Weight (g)	84
Package (pcs)	24

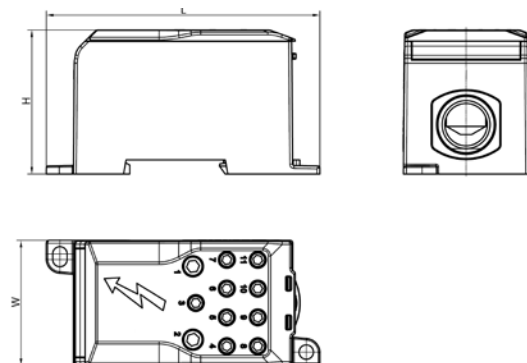
Input wire AL/CU (mm ²)	1 x 35 - 120
Output wire CU (mm ²)	4 x 2,5 - 10 5 x 2,5 - 16 2 x 6 - 35
Nominal voltage AC/DC (V)	1000
Nominal current (A)	280 (CU) / 250 (AL)
Width / Height / Length (mm)	44,4 / 51 / 97
Screw, hexagonal key	No. 3 / 4 / 6
Tightening torque (Nm)	3 Nm (2,5 - 16 mm ²) 6 Nm (25 - 35 mm ²) 10 Nm (50 - 70 mm ²) 19 Nm (95 - 120 mm ²)
Mounting	DIN rail, screw
Weight (g)	178
Package (pcs)	12

Dimensions

OJL 200A



OJL 280A





OJL 400A

OJL 400AS*

OJL 400AF

OJL 400ASF*

Black / Grey		MAB1401S10	MAB1402S10	MAB1403S10	MAB1404S10
Blue / Grey		MAB1401B10	-	MAB1403B10	-
Green / Grey		MAB1401G10	-	MAB1403G10	-

Technical data

Conductor cross-section	OJL 400A	OJL 400AS*	OJL 400AF	OJL 400ASF*
Input wire AL/CU (mm ²)	1 x 95 - 240	1 x 95 - 240	1 x Flexible busbar 10x CU (1x25)	1 x Flexible busbar 10x CU (1x25)
Output wire CU (mm ²)	4 x 2,5 - 35 3 x 6 - 50	4 x 2,5 - 35 3 x 6 - 50	4 x 2,5 - 35 3 x 6 - 50	4 x 2,5 - 35 3 x 6 - 50
Nominal voltage AC/DC (V)	1000	1000	1000	1000
Nominal current (A)	425 (CU) / 380 (AL)	425 (CU) / 380 (AL)	425 (CU) / 380 (AL)	425 (CU) / 380 (AL)
Width / Height / Length (mm)	51,4 / 51,2 / 100,3	51,4 / 51,2 / 100,3	51,4 / 51,2 / 100,3	51,4 / 51,2 / 100,3
Screw, hexagonal key	No. 4 / 5 / 8	No. 4 / 5 / 8	No. 4 / 5	No. 4 / 5
Tightening torque (Nm)	6 Nm (2,5 - 35 mm ²) 10 Nm (6 - 50 mm ²) 19 Nm (95 - 240 mm ²)	6 Nm (2,5 - 35 mm ²) 10 Nm (6 - 50 mm ²) 19 Nm (95 - 240 mm ²)	6 Nm (2,5 - 35 mm ²) 10 Nm (6 - 50 mm ²) 10 Nm (10x CU 1x25 mm ²)	6 Nm (2,5 - 35 mm ²) 10 Nm (6 - 50 mm ²) 10 Nm (10x CU 1x25 mm ²)
Mounting	DIN rail, screw	DIN rail, screw	DIN rail, screw	DIN rail, screw
Weight (g)	250	250	247	247
Package (pcs)	8	8	8	8

* Model can be sealed

Dimensions

OJL 400A

