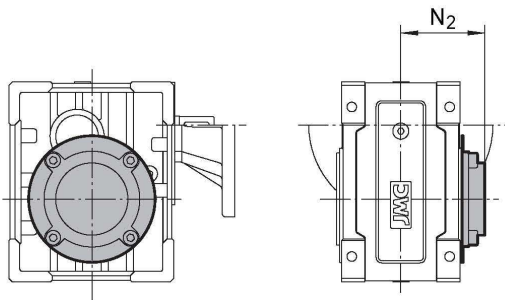


8.3 Cover

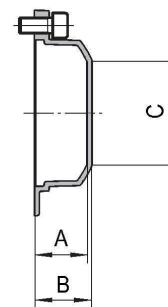
8.3.1 TKM.. Cover



	N_2
TKM28	63
TKM38	73
TKM48	79
TKM58	94
TKM68	102

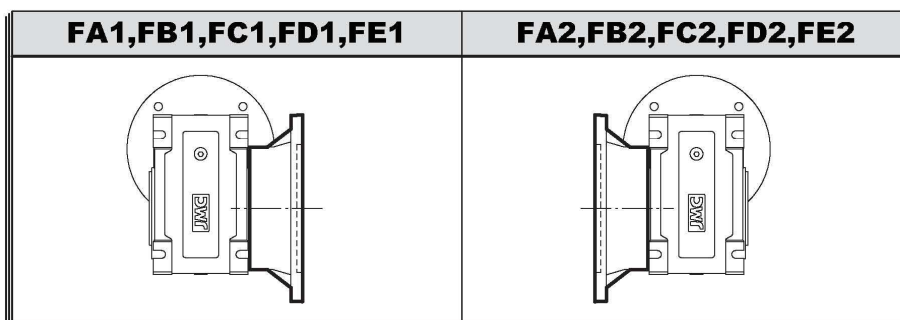
8.3.2 TKB.. Cover

	A	B	C
TKB38	26.5	29	$\Phi 35$
TKB48	24.5	27	$\Phi 54$
TKB58	26.5	29	$\Phi 71$
TKB68	27.5	30	$\Phi 89$



9. INSTALLATION POSITIONS DIAGRAM

9.1 Position diagram for output flange



Unless specified otherwise, the gear units is supplied with the flange in pos. F..1 referred to position B3.

9.2 Position diagram for single output shaft

