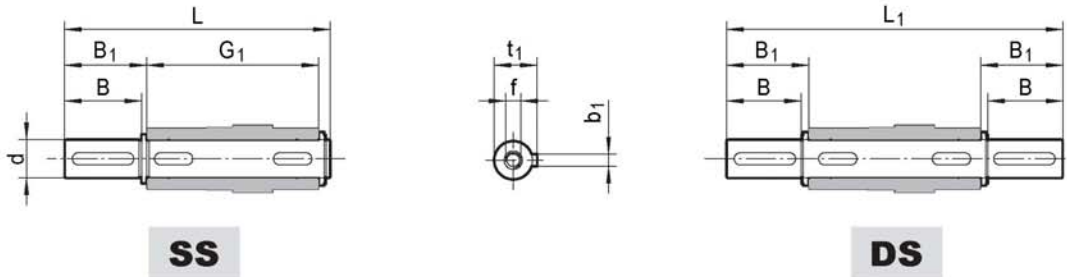


8. ACCESSORIES OUTLINE DIMENSION SHEET

8.1 Output Shafts

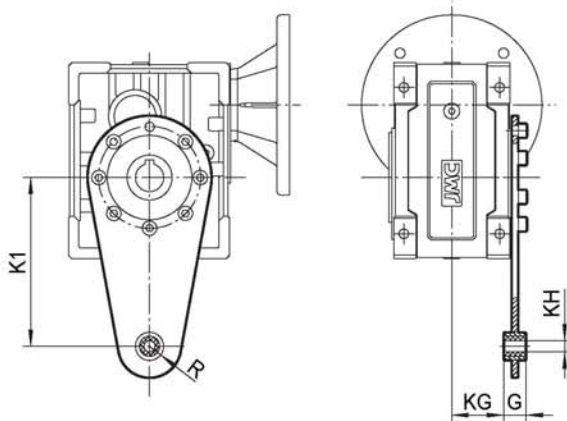


	d _{h6}	B	B ₁	G ₁	L	L ₁	f	b ₁	t ₁
TKM28	25	50	53.5	92	153	199	M10x22	8	28
TKM38	25	50	53.5	112	173	219	M10x22	8	28
TKM48	28	60	63.5	120	192	247	M10x22	8	31
TKM58	35	80	84.5	140	234	309	M12x28	10	38
TKM68	42	80	84.5	155	249	324	M16x36	12	45
TKB38	25	60	65	120	192	246.4	M8x19	8	28
TKB48_d 28	28	60	65	127	199	255	M8x20	8	31
TKB48_d 30	30	60	65	127	199	255	M10x22	8	33
TKB58	35	60	65	140	214	268	M12x22	10	38
TKB68	42	75	80	155	244	313.5	M12x28	12	45

* Only on request

8.2 Torque Arm

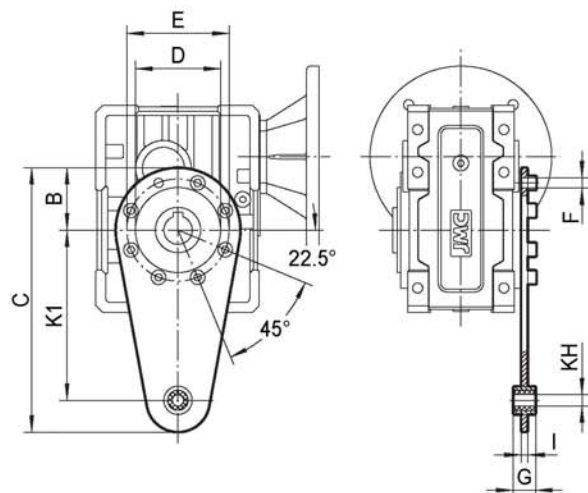
8.2.1 TKM.. Torque Arm



	K1	G	KG	KH	R
TKM28	100	14	38.5	10	18
TKM38	150	14	49	10	18
TKM48	200	25	47.5	20	30
TKM58	200	25	57.5	20	30
TKM68	250	30	62	25	35

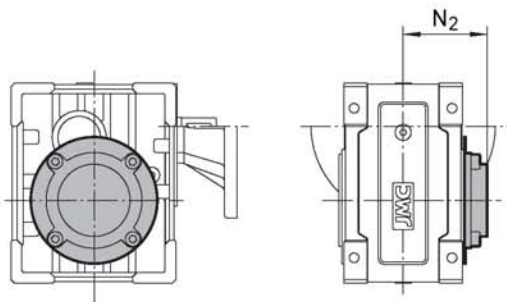
8.2.2 TKB.. Torque Arm

	K1	B	C	D	E	F	G	KH	I
TKB38	150	55	233	75	90	9	20	10	6
TKB48	200	60	300	90	110	9	25	20	6
TKB58	200	80	318	110	130	11	25	20	6
TKB68	250	100	388	130	165	13	25	20	6



8.3 Cover

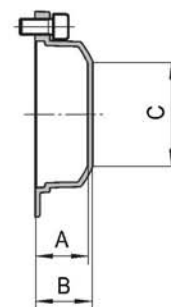
8.3.1 TKM.. Cover



	N₂
TKM28	63
TKM38	73
TKM48	79
TKM58	94
TKM68	102

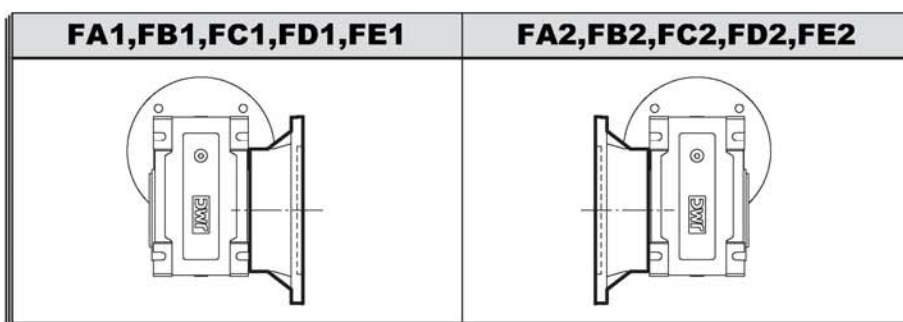
8.3.2 TKB.. Cover

	A	B	C
TKB38	26.5	29	Φ35
TKB48	24.5	27	Φ54
TKB58	26.5	29	Φ71
TKB68	27.5	30	Φ89



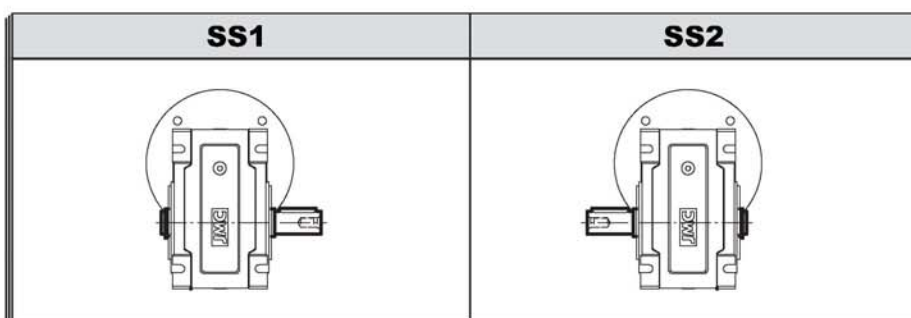
9. INSTALLATION POSITIONS DIAGRAM

9.1 Position diagram for output flange






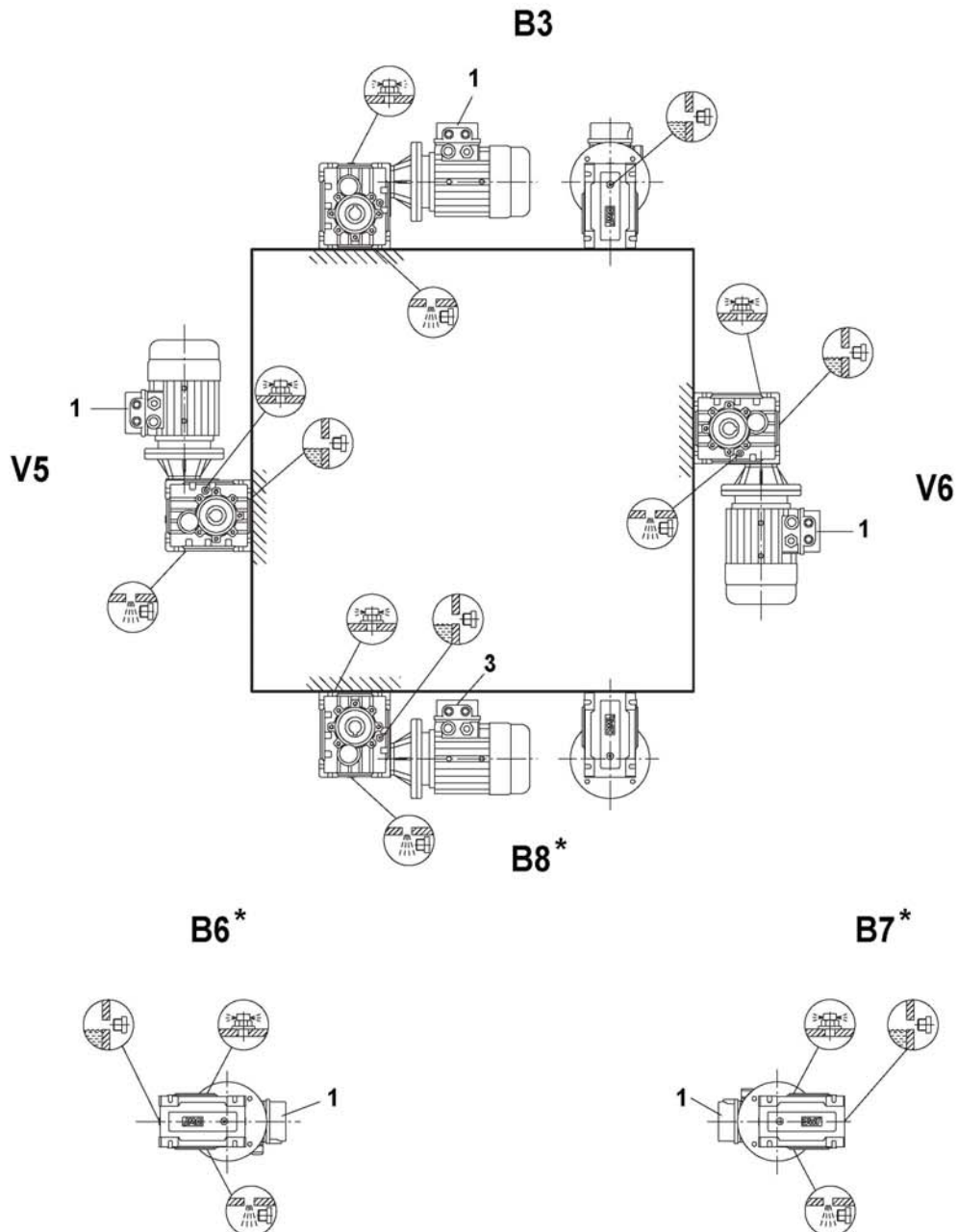
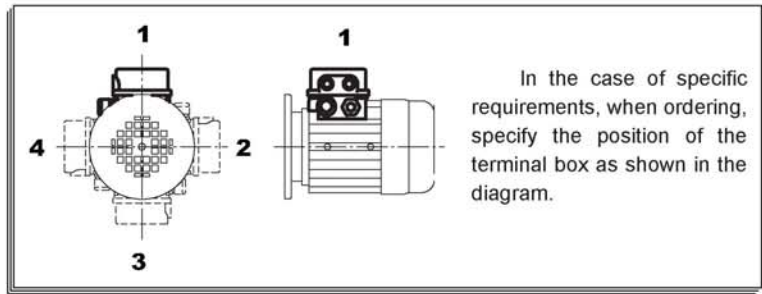
Unless specified otherwise, the gear units is supplied with the flange in pos. F..1 referred to position B3.

9.2 Position diagram for single output shaft



9.3 TKM.. OR TKB.. Mounting Positions

Symbol	Meaning
	Breather valve
	Oil level plug
	Oil drain plug



*: It means the lubricant can't be added according to the oil level line plug, but also higher the plug the fill quantity as shown in the table