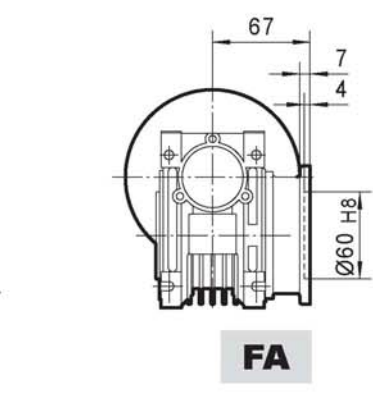
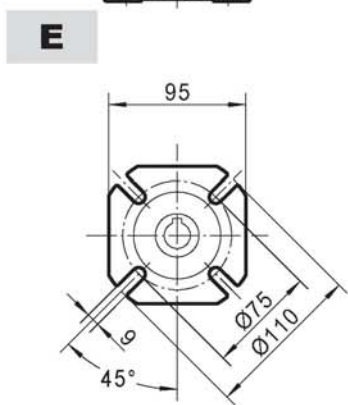
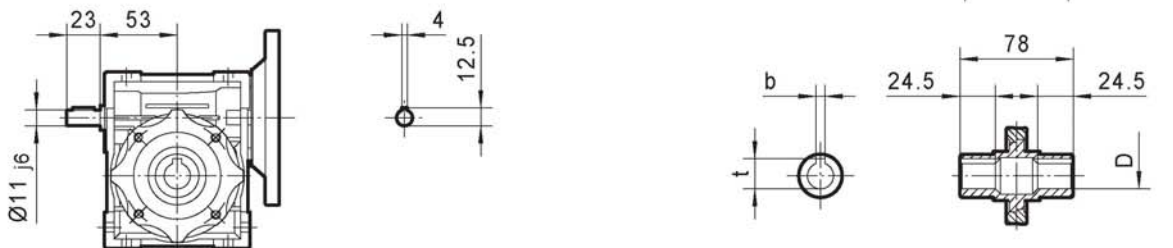
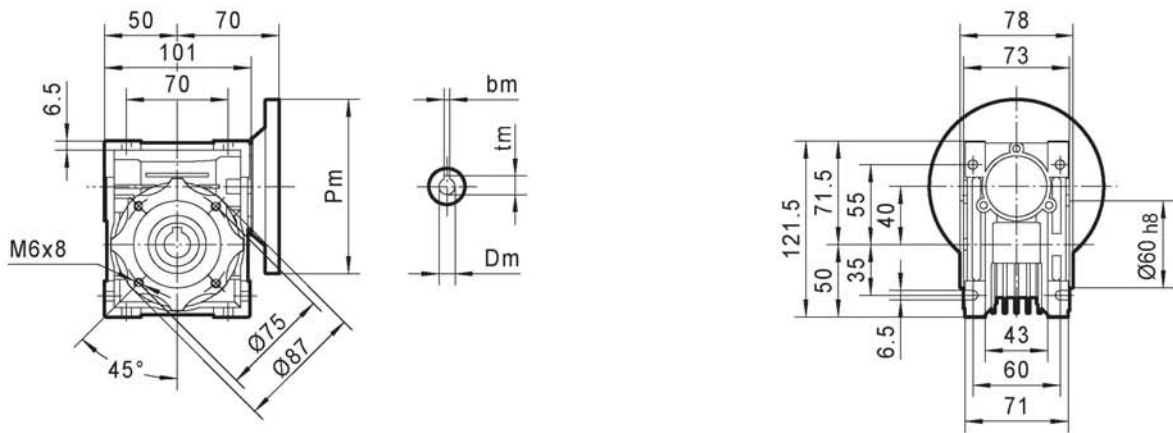
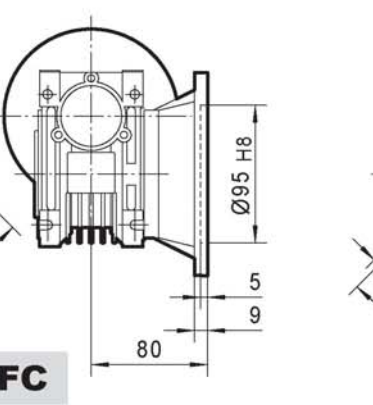
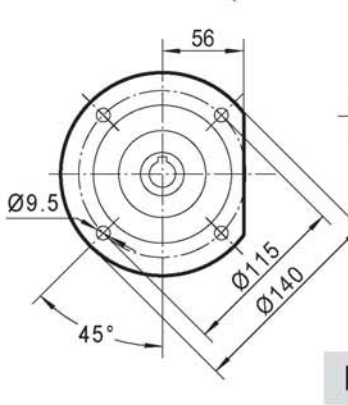


**TNRV040**

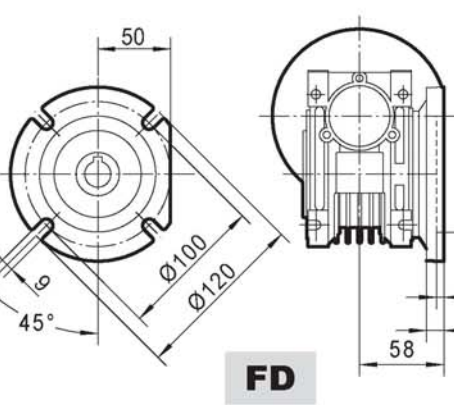


**FA**

**FB**



**FC**



**FD**

PAM IEC	P <sub>m</sub>	D <sub>m</sub> E8	b <sub>m</sub>	t <sub>m</sub>	D H8	b	t
71B5	160	14	5	16.3	18	6	20.8
63B5	140	11	4	12.8	19*	6*	21.8*
56B5	120	9	3	10.4	* Only on request		
71B14	105	14	5	16.3			
63B14	90	11	4	12.8			

Weight without motor ≈ 2.3 kg