

US5120C

Features :

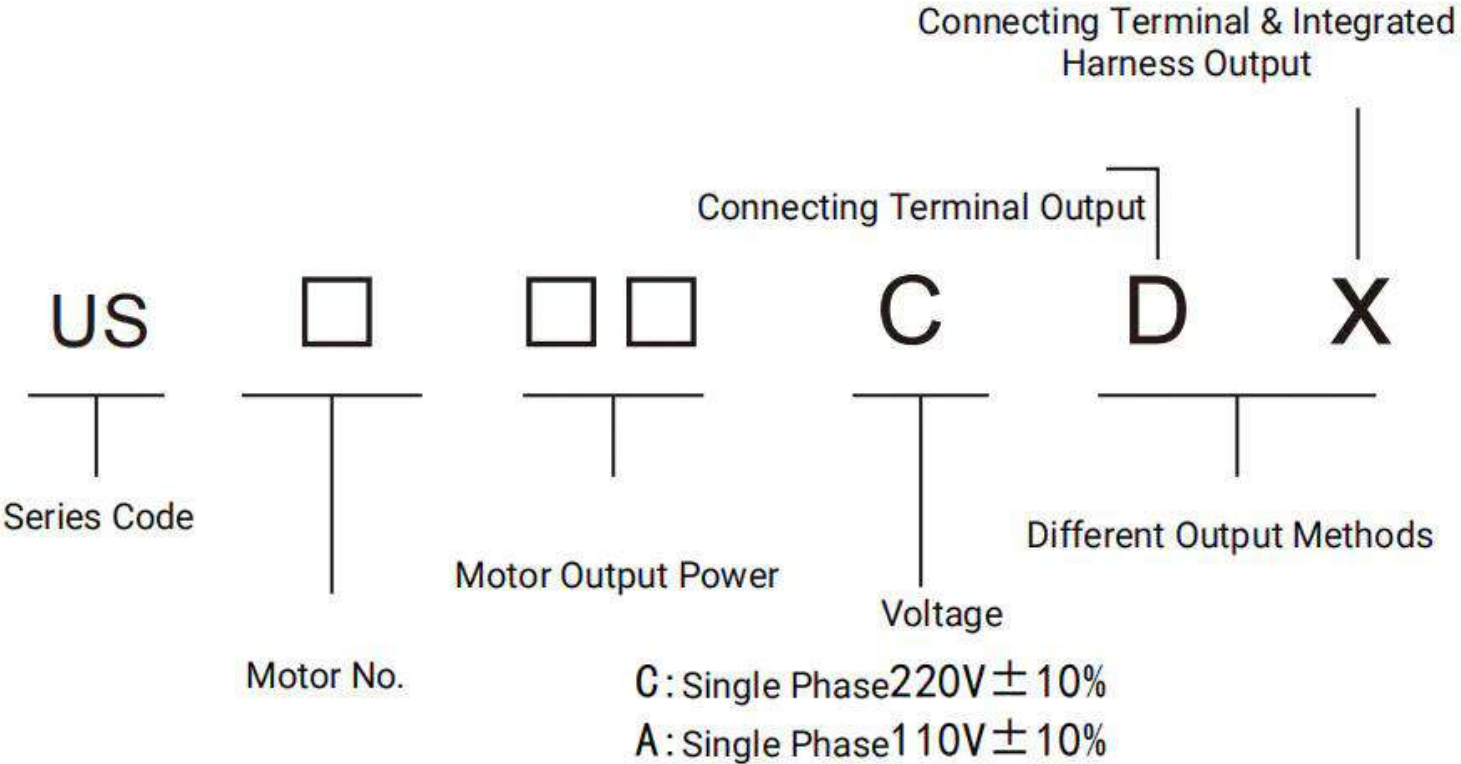
- High reliability of SMD( surface mount device).
  - Easy connection method and easy to use.
  - Built-in run capacitor.
- Large range of continuously variable transmission could be realized when work together with a speed controller motor;
- Fault Indication & Protection : Show the fault information after the protection for the fault indication, such as: under voltage, over voltage, over current, over load, locked rotor, short circuit, phase shortage, over temperature etc.

User Instructions

- Do not use in explosive environments, flammable gas, corrosive environments and anywhere easy to get wet or around combustibles
  - Avoid continuous vibration or over-impact.
- Under normal operation of the motor, sometimes the surface temperature of the motor case will exceed 70°C, therefore, please paste a warning notice (refer to the drawing below) in case people may touch the motor!

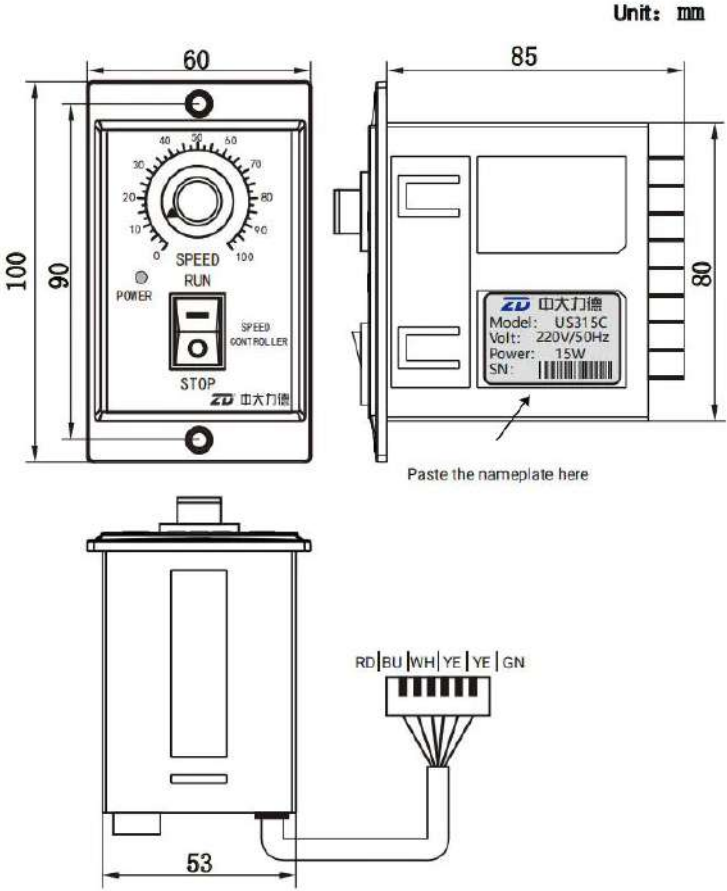


- No continuously long-time running of the motor under the condition low speed and overload.
  - Do earthing.
- Installation, connection and inspection should be done by professional engineers.



**Model No./Specifications**

Single Phase 220V	US206C	US315C	US425C	US540C	US560C	US590C	US5120C	US6120C	US6140C	US6200C
<b>Output Method</b>	<input type="checkbox"/> D <input type="checkbox"/> x	<input type="checkbox"/> D <input type="checkbox"/> x	<input type="checkbox"/> D <input type="checkbox"/> x	<input type="checkbox"/> D <input type="checkbox"/> x	<input type="checkbox"/> D <input type="checkbox"/> x	<input type="checkbox"/> D <input type="checkbox"/> x	<input type="checkbox"/> D <input type="checkbox"/> x	<input type="checkbox"/> D <input type="checkbox"/> x	<input type="checkbox"/> D <input type="checkbox"/> x	<input type="checkbox"/> D <input type="checkbox"/> x
<b>Single Phase 110V</b>	US206A	US315A	US425A	US540A	US560A	US590A	US5120A	US6120A	US6140A	US6200A
<b>Output Method</b>	<input type="checkbox"/> D <input type="checkbox"/> x	<input type="checkbox"/> D <input type="checkbox"/> x	<input type="checkbox"/> D <input type="checkbox"/> x	<input type="checkbox"/> D <input type="checkbox"/> x	<input type="checkbox"/> D <input type="checkbox"/> x	<input type="checkbox"/> D <input type="checkbox"/> x	<input type="checkbox"/> D <input type="checkbox"/> x	<input type="checkbox"/> D <input type="checkbox"/> x	<input type="checkbox"/> D <input type="checkbox"/> x	<input type="checkbox"/> D <input type="checkbox"/> x
<b>Motor Power</b>	6W	15W	25W	40W	60W	90W	120W	120W	140W	200W
<b>Motor Type</b>	Speed Control Motor									
<b>Installation Method</b>	Panel Type									
<b>Speed Control Method</b>	Panel Potentiometer									
<b>Run Capacitor</b>	Built-in									
<b>Speed Control Range</b>	50Hz:90-1350r/min; 60Hz:90-1550r/min									
<b>Power Supply Frequency</b>	50Hz - 60Hz									
<b>Work Environment</b>	-10°C - +45°C( No Froze), 85%(No condensation)									



Wiring diagram :

