

MOTEUR À CAGE TRIPHASÉ EN ALUMINIUM – IP55 – 230/380v et 400/690v

TYPES NORMALISÉS

CLASS(E) : F – ÉCHAUFFEMENT/OPWARMING/HEATING B

TBOX SUPÉRIEURE ORIENTABLE - ORIENTEERBAAR BOVENOP - SWIVELING- TOP

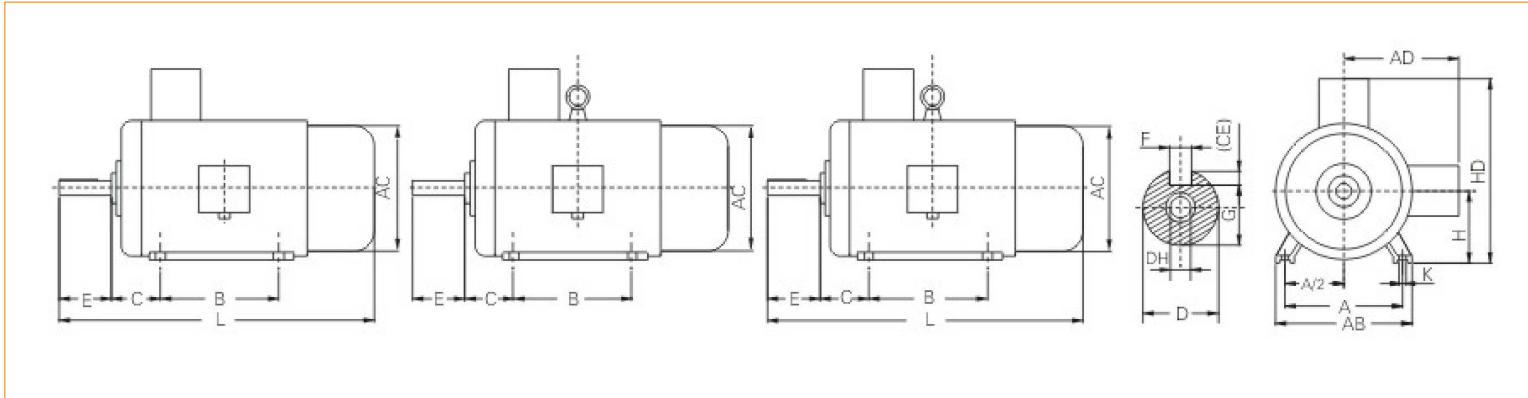
PATTES MULTI POSITIONS DÉMONTABLES – VERWISSELBARE MULTI POSITIE POTEN - Multi positions removable feet

IE2

TYPE	PUISSANCE VERMOGEN POWER kW	VITESSE SNELHEID SPEED TM	COURANT NOMINAL NOM. STROOM RATED CURRENT (400v) A	EFF. %	Cos Φ	Ts/TN	TMAX/TN	Is/IN	PRESSION SONORE GELUIDSDRUK MEAN SOUND PRESSURE 1M	POIDS GEWICHT WEIGHT KG
80M1	0.75	2850	1.7	77.4	0.83	2.3	2.3	6.8	62	11
80M2	1.1	2870	2.4	79.6	0.83	2.3	2.3	7.3	62	12,5
90S2	1.5	2880	3.2	81.3	0.84	2.3	2.3	7.6	67	14,5
90L2	2.2	2880	4.5	83.2	0.85	2.3	2.3	7.8	67	18
100L1-2	3	2880	5.9	84.6	0.87	2.3	2.3	8.1	74	21
112M2	4	2900	7.6	85.8	0.88	2.3	2.3	8.3	77	28.5
132S1-2	5.5	2910	10.4	87	0.88	2.2	2.3	8	79	40,5
132S2-2	7.5	2910	13.8	88.1	0.89	2.2	2.3	7.8	79	49
160M1-2	11	2940	20.0	89.4	0.89	2.2	2.3	7.9	81	89
160M2-2	15	2940	26.9	90.3	0.89	2.2	2.3	8	81	105
160L2	18	2940	33.0	90.9	0.89	2.2	2.3	8.1	81	110

TYPE	PUISSANCE VERMOGEN POWER kW	VITESSE SNELHEID SPEED TM	COURANT NOMINAL NOM. STROOM RATED CURRENT (400v) A	EFF. %	Cos Φ	Ts/TN	TMAX/TN	Is/IN	PRESSION SONORE GELUIDSDRUK MEAN SOUND PRESSURE 1M	POIDS GEWICHT WEIGHT KG
80M2	0.75	1420	1.8	79.6	0.75	2.3	2.3	6.5	56	13
90S4	1.1	1420	2.6	81.4	0.75	2.3	2.3	6.6	59	16.5
90L4	1.5	1420	3.5	82.8	0.75	2.3	2.3	6.9	59	20.5
100L1-4	2.2	1440	4.7	84.3	0.81	2.3	2.3	7.5	64	24
100L2-4	3	1440	6.2	85.5	0.82	2.3	2.3	7.6	64	28.5
112M-4	4	1445	8.1	86.6	0.82	2.3	2.3	7.7	65	36.5
132S-4	5.5	1450	11.1	87.7	0.82	2	2.3	7.5	71	47.5
132M-4	7.5	1450	14.7	88.7	0.83	2	2.3	7.4	71	59
160M-4	11	1470	20.8	89.8	0.85	2.2	2.3	7.5	73	90
160L-4	15	1470	27.8	90.6	0.86	2.2	2.3	7.5	73	115

TYPE	PUISSANCE VERMOGEN POWER kW	VITESSE SNELHEID SPEED TM	COURANT NOMINAL NOM. STROOM RATED CURRENT (400v) A	EFF. %	Cos Φ	Ts/TN	TMAX/TN	Is/IN	PRESSION SONORE GELUIDSDRUK MEAN SOUND PRESSURE 1M	POIDS GEWICHT WEIGHT KG
90S-6	0.75	930	2	75.9	0.72	2.1	2.1	5.8	57	16.5
90L-6	1.1	930	2.8	78.1	0.73	2.1	2.1	5.9	57	21
100L1-6	1.5	930	3.7	79.8	0.74	2.1	2.1	6	61	23.4
112M-6	2.2	945	5.2	81.8	0.74	2.1	2.1	6	65	31.5
132S-6	3	960	7.1	83.3	0.74	2	2.1	6.2	69	40.5
132M1-6	4	965	9.2	84.6	0.74	2	2.1	6.8	69	49
132M2-6	5.5	965	12.3	86	0.75	2	2.1	7.1	69	62.5
160M-6	7.5	970	15.9	87.2	0.78	2.1	2.1	6.7	73	90
160L6	11	970	22.7	88.7	0.79	2.1	2.1	6.9	73	113

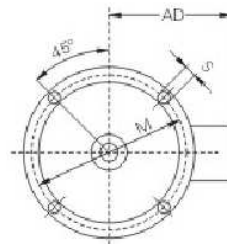


Dimensions in mm																	
FRAME	POLES	A	A/2	B	C	D	E	F	G	H	K	AB	AC	AD	HD	L	DH
80M	2-6	125	62.5	100	50	19	40	6	15.5	80	10	165	158	140	220	300	M6x16
90S	2-6	140	70	100	56	24	50	8	20	90	10	180	177	160	255	330	M8x19
90L	2-6	140	70	125	56	24	50	8	20	90	10	180	177	160	255	360	M8x19
100L	2-6	160	80	140	63	28	60	8	24	100	12	205	198	172	270	400	M10x22
112M	2-6	190	95	140	70	28	60	8	24	112	12	230	220	190	300	435	M10x22
132S	2-6	216	108	140	89	38	80	10	33	132	12	270	259	210	345	470	M12x28
132M	2-6	216	108	178	89	38	80	10	33	132	12	270	259	210	345	510	M12x28
160M	2-6	254	127	210	108	42	110	12	37	160	15	320	315	255	420	615	M16x36
160L	2-6	254	127	254	108	42	110	12	37	160	15	320	315	255	420	660	M16x36

Dimensions (mm)					
FRAME	M	N	P	S	FLANGE HOLES
80	165	130	200	M6	4
90S	165	130	200	M6	4
90L	165	130	200	M6	4
100L	215	180	250	M8	4
112M	215	180	250	M8	4
132S	265	230	300	M15	4
132M	265	230	300	M15	4
160M	300	250	350	M19	4
160L	300	250	350	M19	4

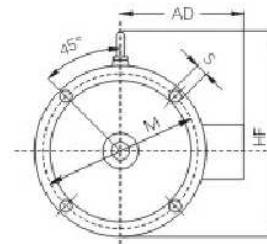
Dimensions (mm)					
FRAME	M	N	P	S	FLANGE HOLES
80	100	80	120	M6	4
90S	115	95	140	M6	4
90L	115	95	140	M6	4
100L	130	110	160	M8	4
112M	130	110	160	M8	4
132S	165	130	200	M15	4
132M	165	130	200	M15	4
160M	215	180	250	M19	4
160L	215	180	250	M19	4

BRIDE/ FLENS/FLANGE B5



H80-90

BRIDE/ FLENS/FLANGE B14P



H100-200