

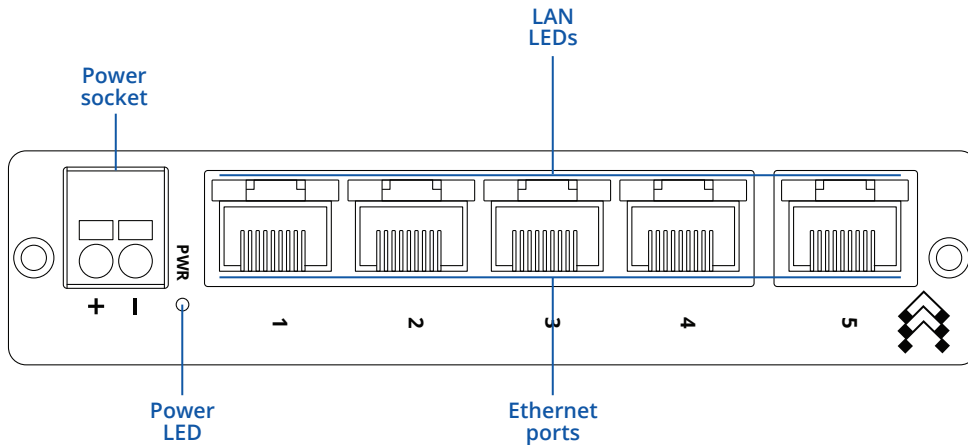


# TSW010

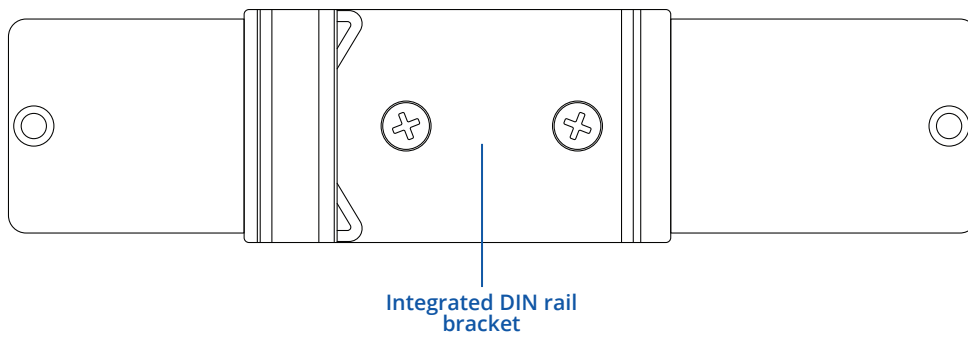


# HARDWARE

## FRONT VIEW



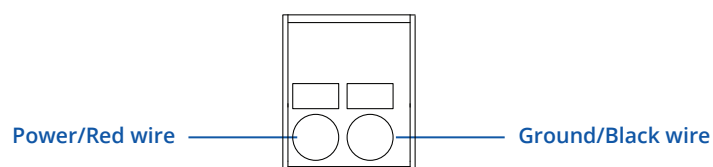
## BACK VIEW



## RJ45 LED MEANING



## POWER SOCKET PINOUT



## FEATURES

### INTERFACES

Ethernet	5 x RJ45 ports, 10/100 Mbps, compliance with IEEE 802.3, IEEE 802.3u, 802.3az, IEEE802.3x (Flow control) standards, supports auto MDI/MDIX crossover, Auto-Negotiation function
----------	---

### PERFORMANCE SPECIFICATIONS

Bandwidth (Non-blocking)	1 Gbps
MAC address table size	2K entries
Jumbo frame support	2048 bytes
Switch Processing Scheme	Store-and-Forward

### POWER

Connector	2-pin industrial DC power socket
Input voltage range	9 - 30 VDC
PoE (passive)	Passive PoE. Possibility to power up through the first LAN port, not compatible with IEEE802.3af, 802.3at and 802.3bt standards
Power consumption	Idle: 0.3 W / Max: 0.9 W

### PHYSICAL INTERFACES (PORTS, LEDS)

Ethernet	5 x RJ45 ports, 10/100 Mbps
Status LEDs	1 x Power LED, 10 x LAN status LEDs
Power	1 x 2-pin industrial DC power socket

### PHYSICAL SPECIFICATION

Casing material	Anodized aluminum housing and panels
Dimensions (W x H x D)	113.1 x 27.4 x 80.5 mm
Weight	146.5 g
Mounting options	Integrated DIN rail bracket, wall mounting (additional kit needed), flat surface placement

### OPERATING ENVIRONMENT

Operating temperature	-40 °C to 75 °C
Operating humidity	10 % to 90 % non-condensing
Ingress Protection Rating	IP30

### CERTIFICATION & APPROVALS

Regulatory	CE, REACH, RoHS, WEEE UKCA, FCC, IC, CB, RCM
------------	---

### SAFETY

Standards	EN IEC 62368-1:2020+A11:2020
-----------	------------------------------

## WHAT'S IN THE BOX?

### STANDARD PACKAGE CONTAINS

- TSW010
- QSG (Quick Start Guide)
- Packaging box



## STANDARD ORDER CODES

PRODUCT CODE	HS CODE	HTS CODE	PACKAGE CONTAINS
TSW010 000000	851762	8517.62.00	Standard package

For more information on all available packaging options – please contact us directly.

## TSW010 SPATIAL MEASUREMENTS & WEIGHT

### MAIN MEASUREMENTS

W x H x D dimensions for TSW010:

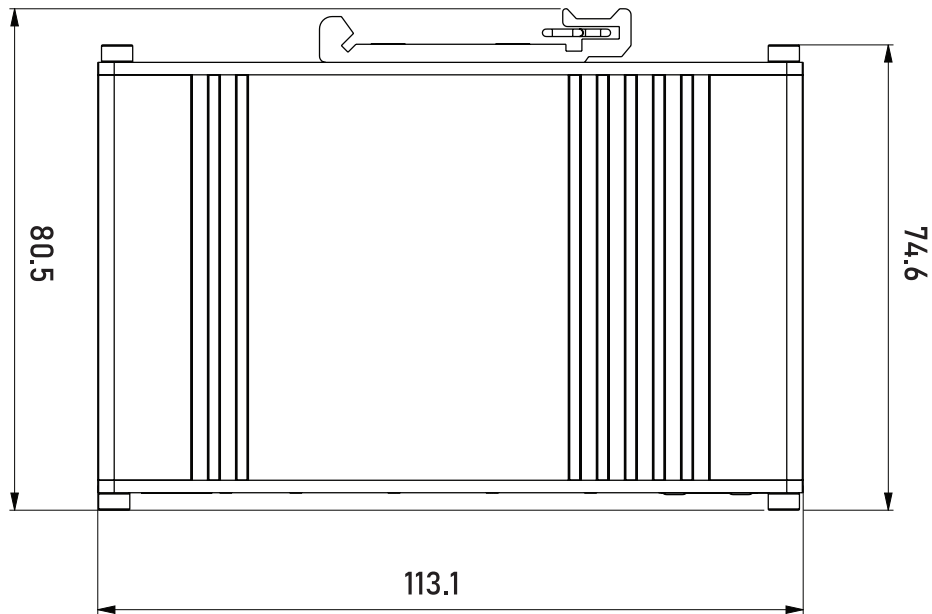
Device housing\*: 113.1 x 27.4 x 80.5 mm

Box: 173 x 71 x 148 mm

\*Housing measurements are presented without connectors and screws; for measurements of other device elements look to the sections below.

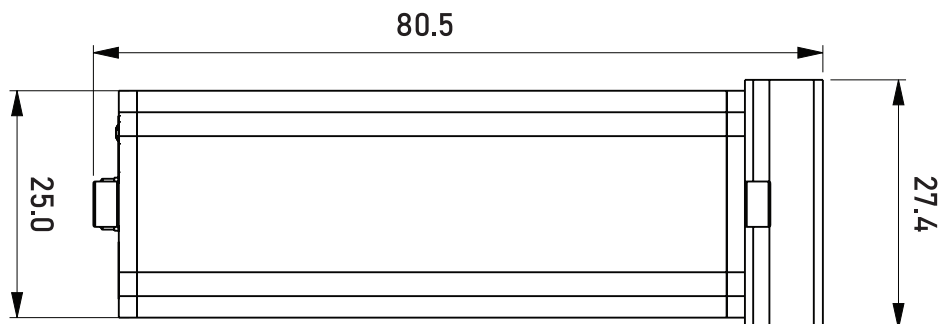
### TOP VIEW

The figure below depicts the measurements of TSW010 and its components as seen from the top:



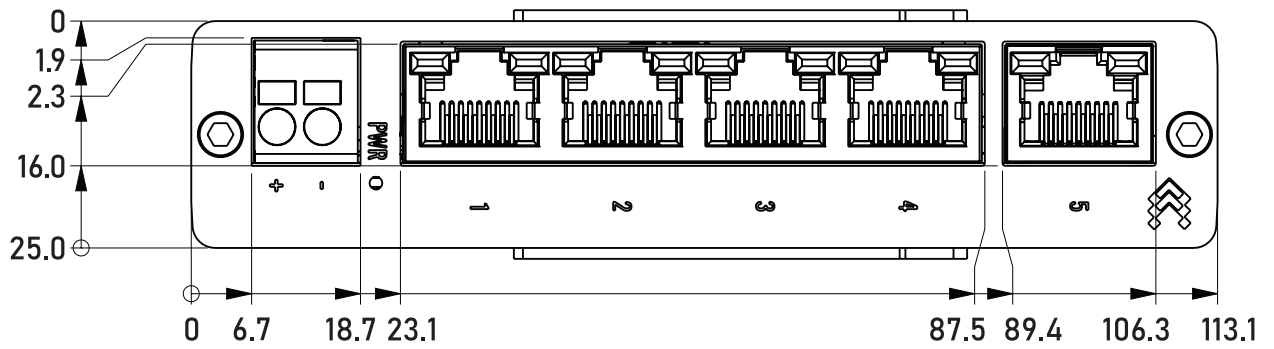
### RIGHT VIEW

The figure below depicts the measurements of TSW010 and its components as seen from the right side:



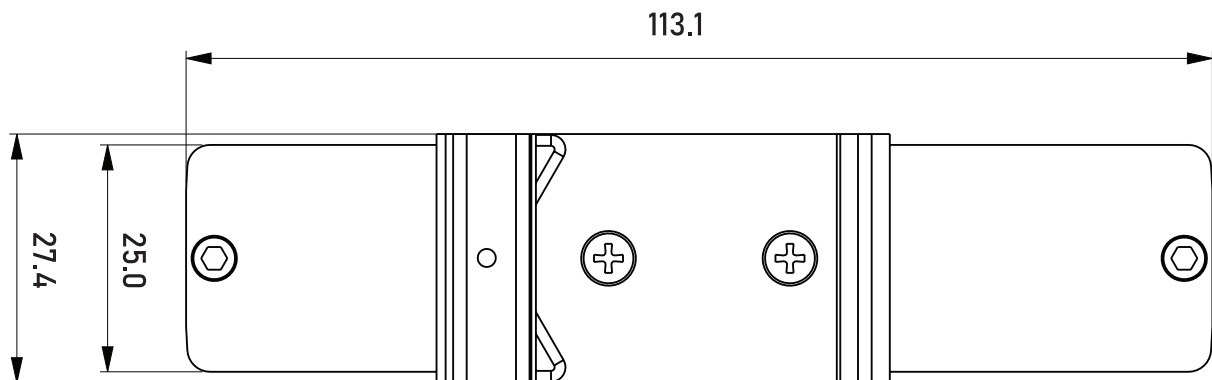
**FRONT VIEW**

The figure below depicts the measurements of TSW010 and its components as seen from the front panel side:



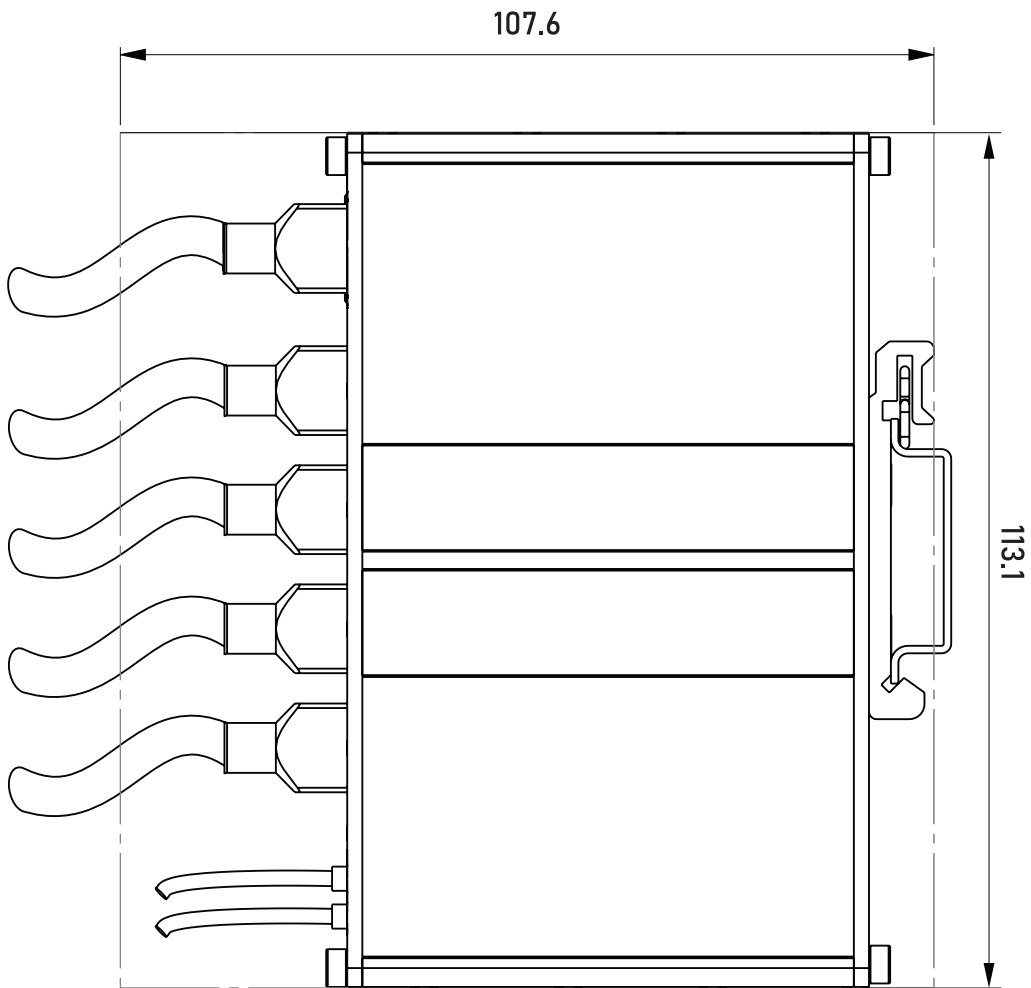
**REAR VIEW**

The figure below depicts the measurements of TSW010 and its components as seen from the back panel side:



**MOUNTING SPACE REQUIREMENTS**

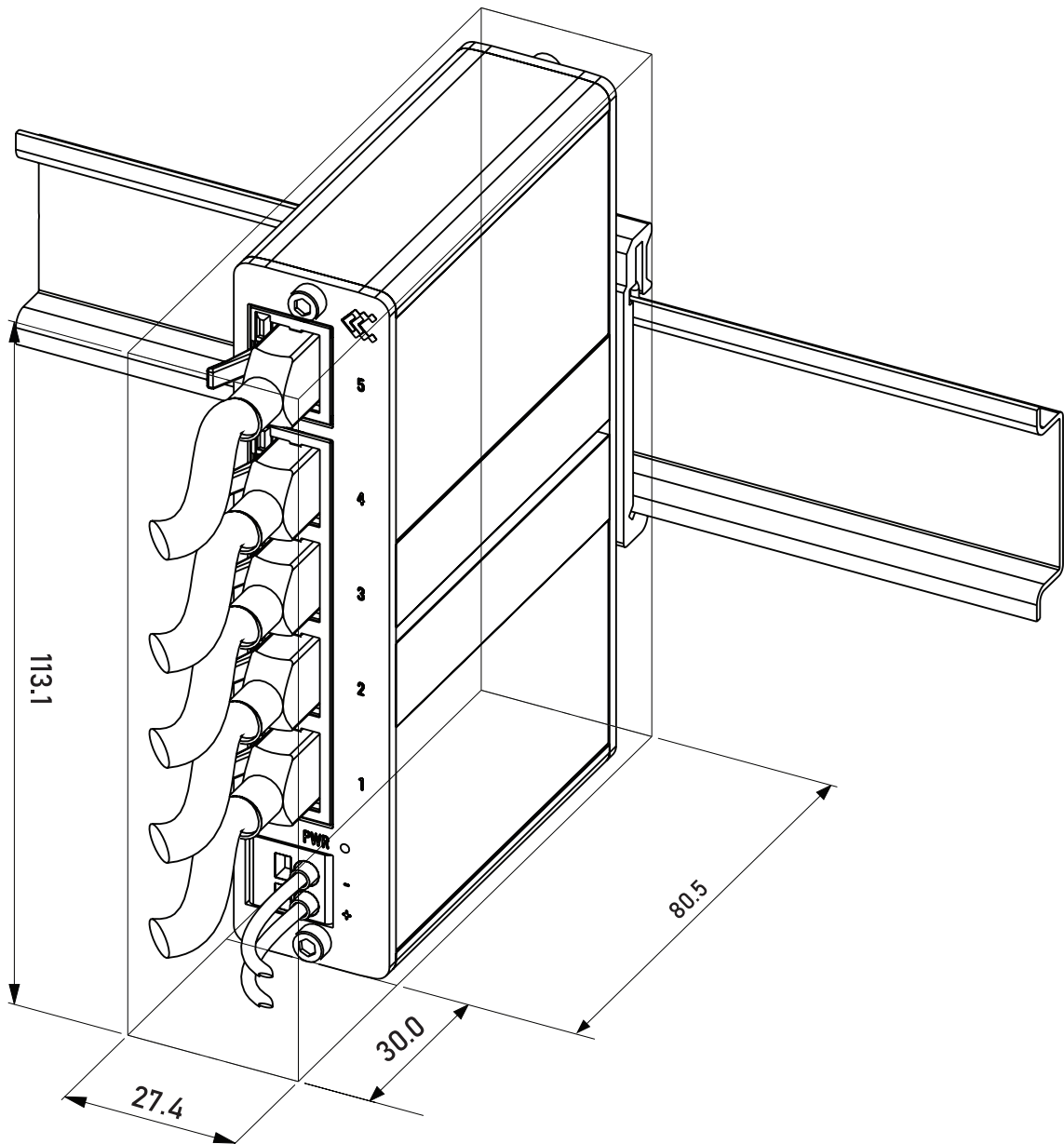
The figure below depicts an approximation of the device's dimensions when cables and antennas are attached:





DIN RAIL

The scheme below depicts protrusion measurements of an attached DIN Rail:



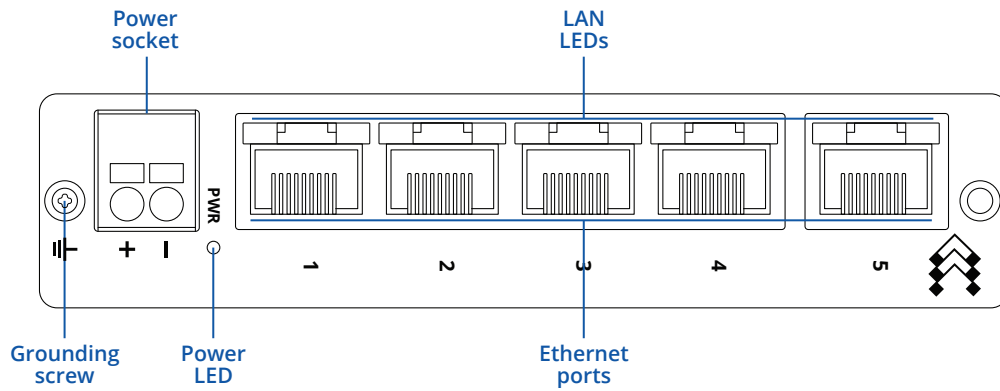


# TSW114

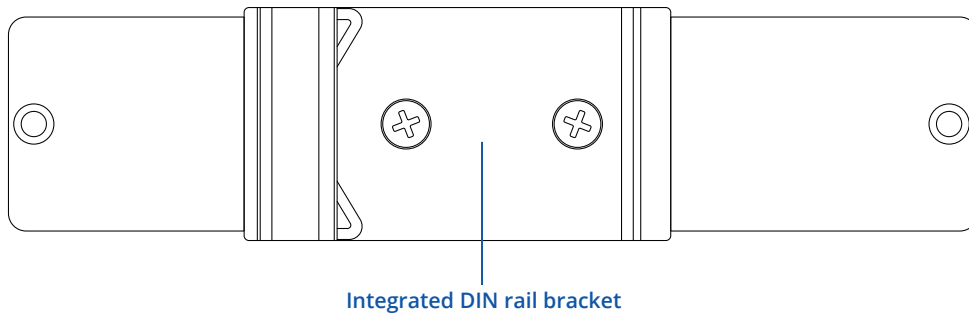


# HARDWARE

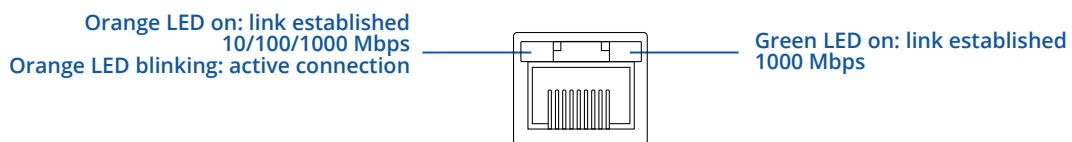
## FRONT VIEW



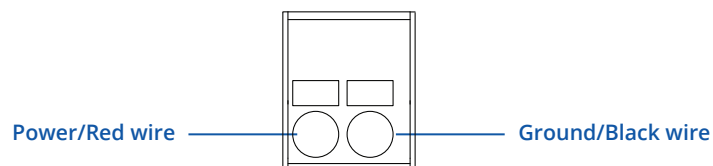
## BACK VIEW



## RJ45 LED MEANING



## POWER SOCKET PINOUT



## FEATURES

### INTERFACES

Ethernet	5 x RJ45 ports, 10/100/1000 Mbps, compliance with IEEE 802.3, IEEE 802.3u, 802.3az standards, supports auto MDI/MDIX crossover
----------	--

### PERFORMANCE SPECIFICATIONS

Bandwidth (Non-blocking)	10 Gbps
Packet buffer	128 KB
MAC address table size	2K entries
Jumbo frame support	9216 bytes

### POWER

Connector	2-pin industrial DC power socket
Input voltage range	9 - 30 VDC
PoE (passive)	Passive PoE. Possibility to power up through LAN port, not compatible with IEEE802.3af, 802.3at and 802.3bt standards
Power consumption	Idle: 0.3 W / Max: 2.3 W

### PHYSICAL INTERFACES (PORTS, LEDS)

Ethernet	5 x RJ45 ports, 10/100/1000 Mbps
Status LEDs	1 x Power LED, 10 x LAN status LEDs
Power	1 x 2-pin industrial DC power socket
Grounding	1 x Grounding screw

### PHYSICAL SPECIFICATION

Casing material	Anodized aluminum housing and panels
Dimensions (W x H x D)	113.1 x 27.4 x 80.5 mm
Weight	174 g
Mounting options	Integrated DIN rail bracket, wall mounting (additional kit needed), flat surface placement

### OPERATING ENVIRONMENT

Operating temperature	-40 °C to 75 °C
Operating humidity	10 % to 90 % non-condensing
Ingress Protection Rating	IP30

### CERTIFICATION & APPROVALS

Regulatory	CE, REACH, RoHS, WEEE UKCA, FCC, IC, CB, RCM
------------	---

### SAFETY

Standards	EN IEC 62368-1:2020+A11:2020
-----------	------------------------------

## WHAT'S IN THE BOX?

### STANDARD PACKAGE CONTAINS

- TSW114
- QSG (Quick Start Guide)
- Packaging box



## STANDARD ORDER CODES

PRODUCT CODE	HS CODE	HTS CODE	PACKAGE CONTAINS
TSW114 000000	851762	8517.62.00	Standard package

For more information on all available packaging options – please contact us directly.

## TSW114 SPATIAL MEASUREMENTS & WEIGHT

### MAIN MEASUREMENTS

W x H x D dimensions for TSW114:

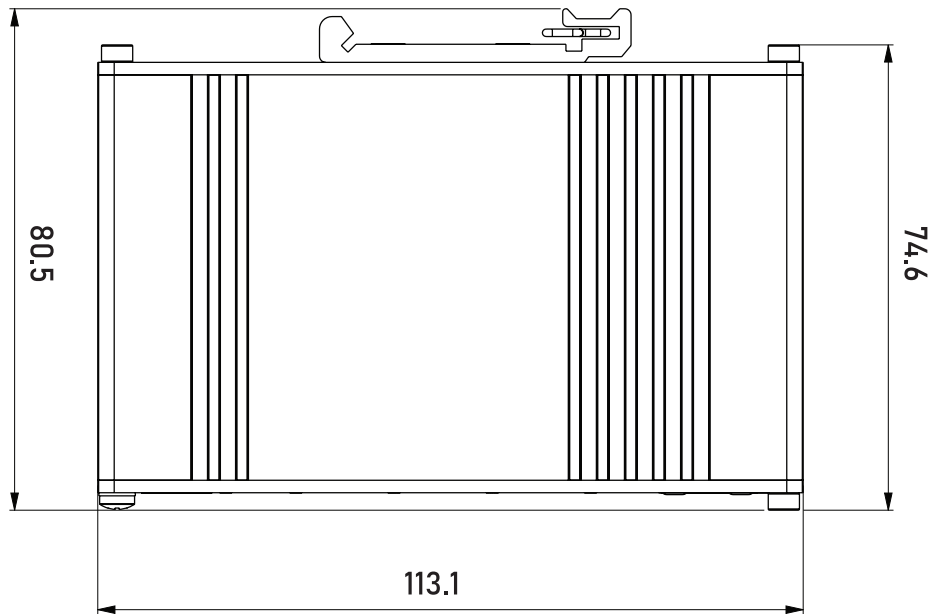
Device housing\*: 113.1 x 27.4 x 80.5 mm

Box: 173 x 71 x 148 mm

\*Housing measurements are presented without connectors and screws; for measurements of other device elements look to the sections below.

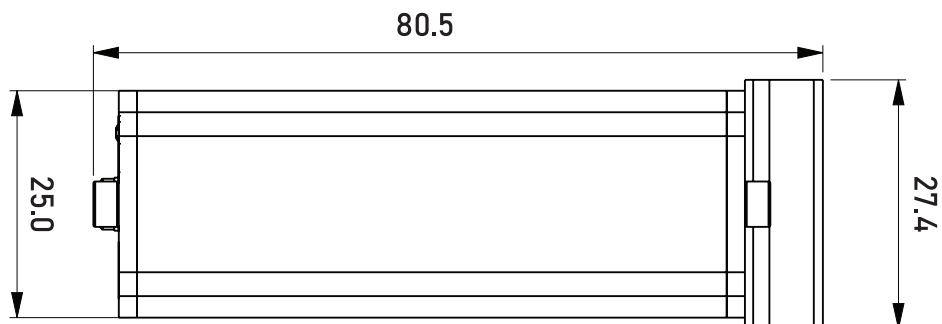
### TOP VIEW

The figure below depicts the measurements of TSW114 and its components as seen from the top:



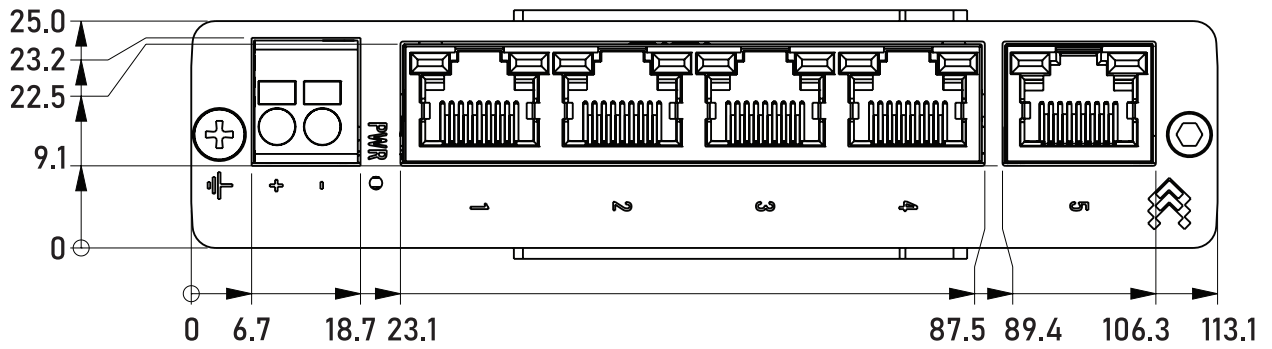
### RIGHT VIEW

The figure below depicts the measurements of TSW114 and its components as seen from the right side:



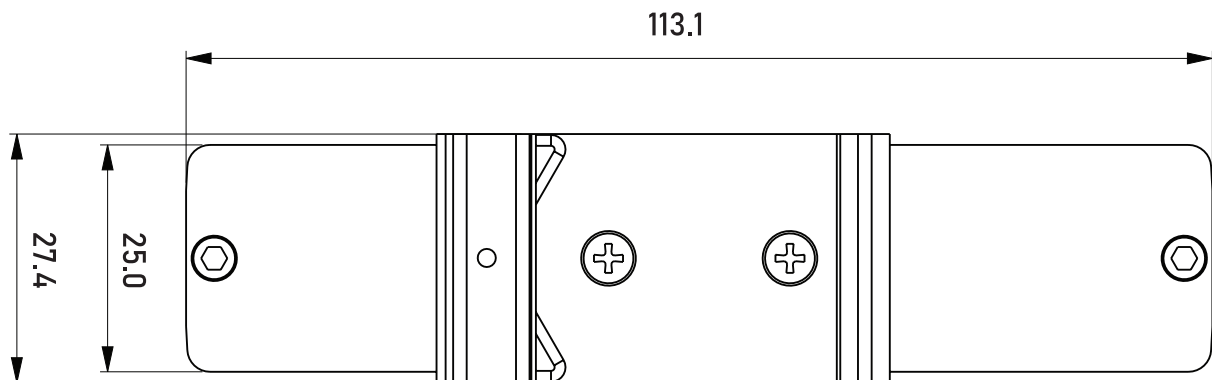
**FRONT VIEW**

The figure below depicts the measurements of TSW114 and its components as seen from the front panel side:



**REAR VIEW**

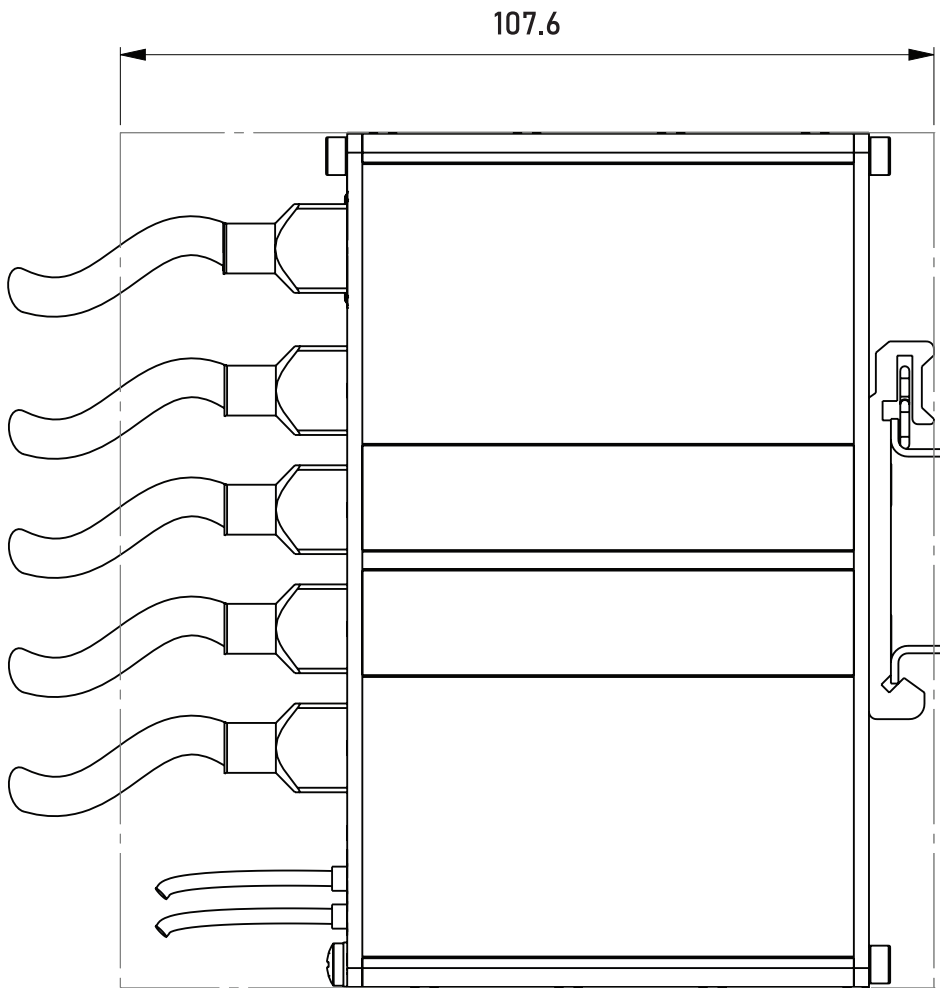
The figure below depicts the measurements of TSW114 and its components as seen from the back panel side:





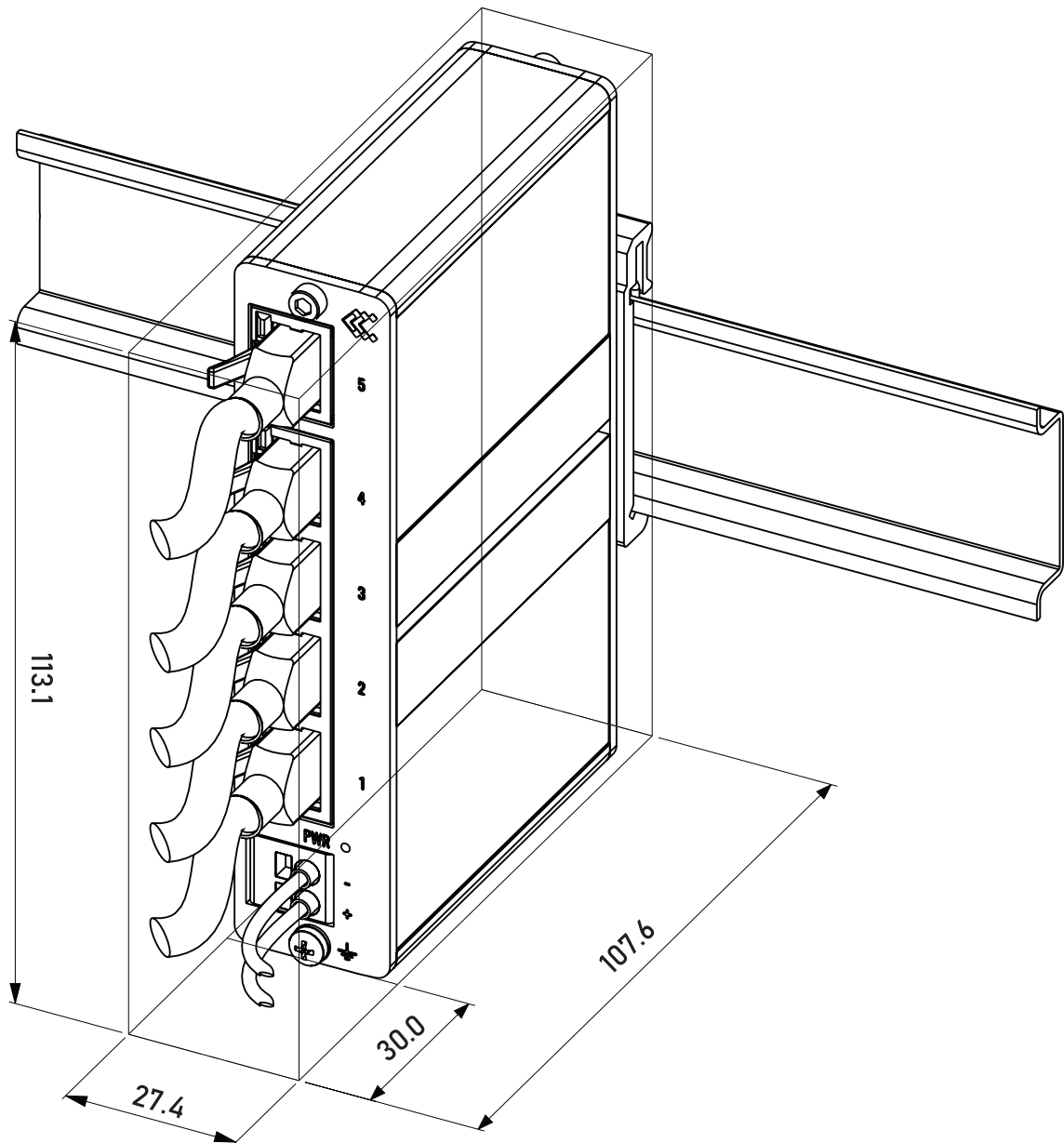
**MOUNTING SPACE REQUIREMENTS**

The figure below depicts an approximation of the device's dimensions when cables are attached:



DIN RAIL

The scheme below depicts protrusion measurements of an attached DIN Rail:



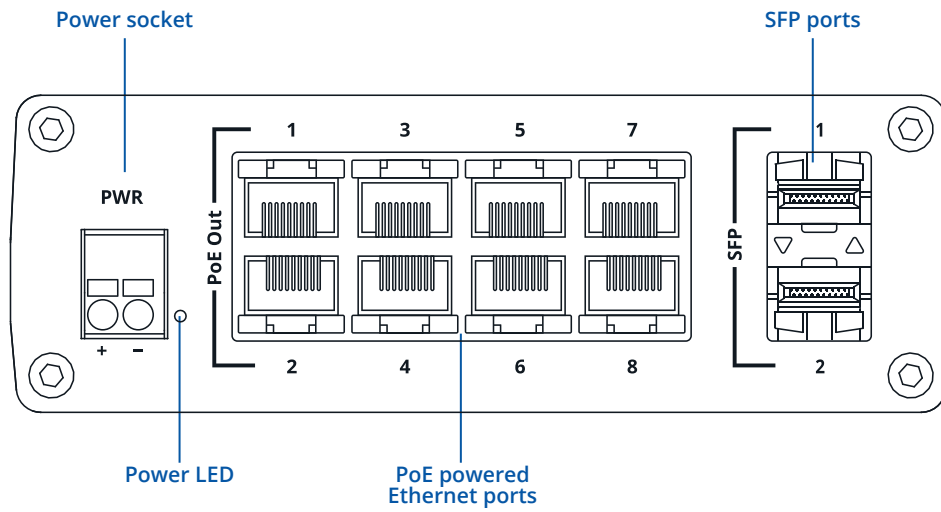


# TSW200

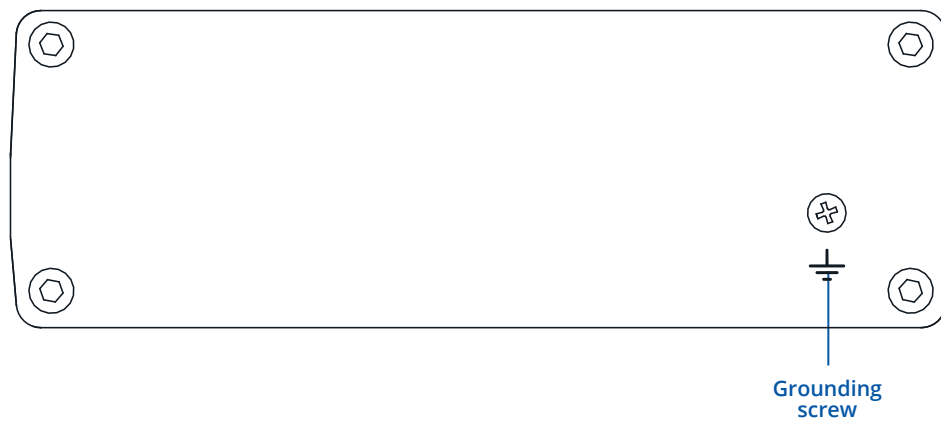


# HARDWARE

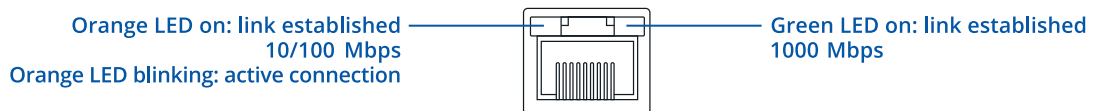
## FRONT VIEW



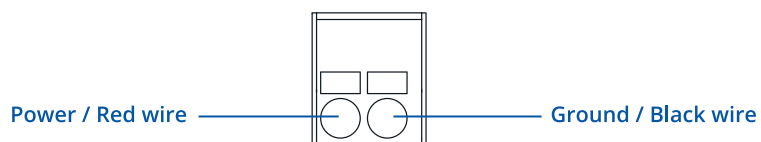
## BACK VIEW



## RJ45 LED MEANING



## POWER SOCKET PINOUT



## FEATURES

### ETHERNET

LAN	8 x LAN ports, 10/100/1000 Mbps, compliance with IEEE 802.3, IEEE 802.3u, 802.3az standards, supports auto MDI/MDIX crossover
Fiber	2 x SFP ports

### POE

PoE ports	Port 1 - 8
PoE standards	802.3af and 802.3at
PoE Max Power per Port (at PSE)	30 W
Total PoE Power Budget (at PSE)	240 W

### PERFORMANCE SPECIFICATIONS

Bandwidth (Non-blocking)	20 Gbps
Packet buffer	128 KB
MAC address table size	2K entries

### POWER

Connector	2 pin industrial DC power socket
Input voltage range	7-57 VDC
Input voltage range for PoE	44-57 VDC
Power consumption (idle/max no PoE/max)	1,81 W/5.5 W/245.5 W

### PHYSICAL INTERFACES (PORTS, LEDS)

Ethernet	8 x RJ45 ports, 10/100/1000 Mbps
Fiber	2 x SFP ports
Status LED's	1 x Power LED, 16 x LAN status LED's 2 x SFP status LED's
Power	1 x 2 pin industrial DC power socket
Ground	1 x Grounding screw

### PHYSICAL SPECIFICATION

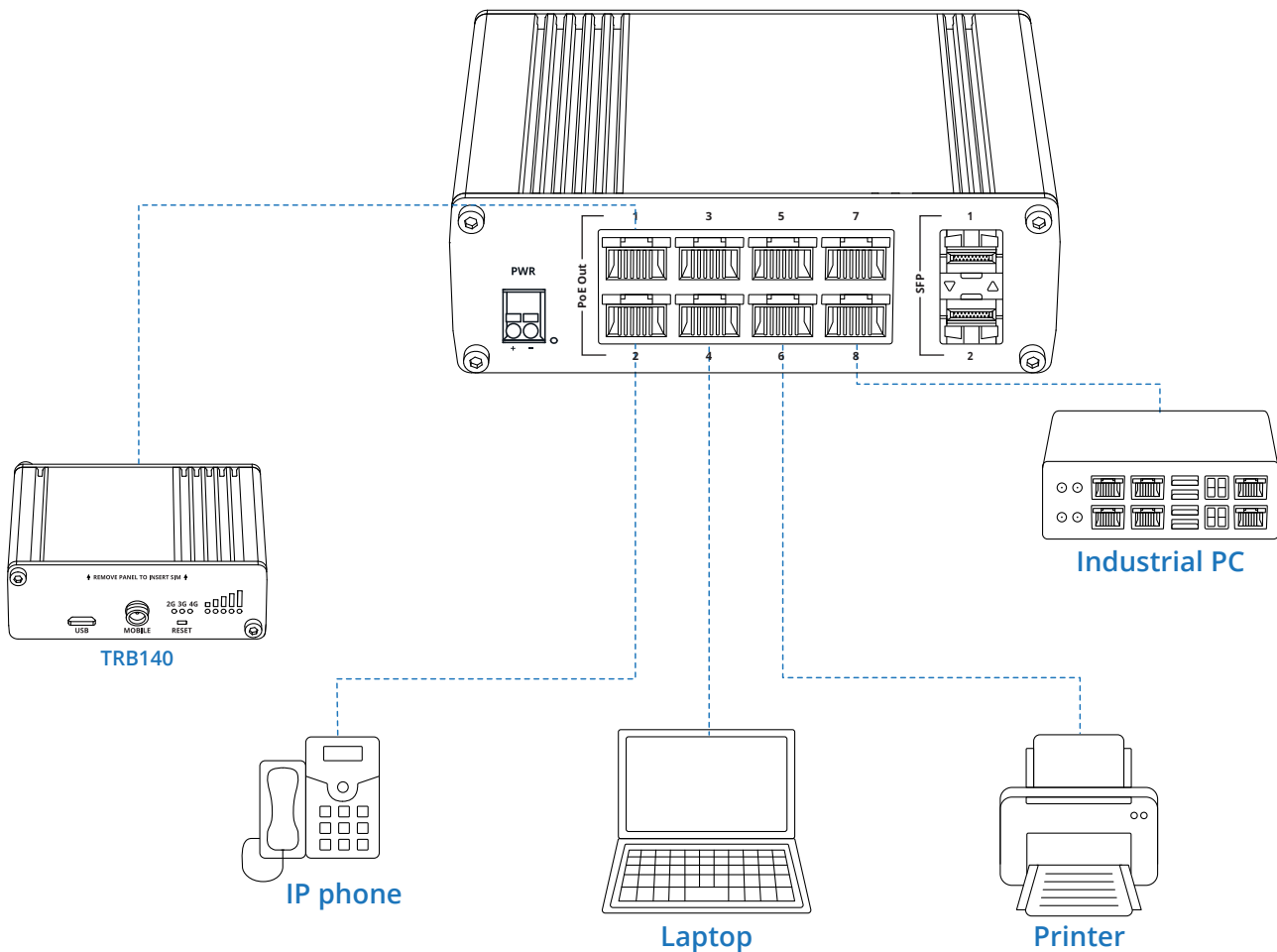
Casing material	Full aluminum housing
Dimensions (W x H x D)	132 x 44.2 x 95.1 mm
Weight	456 g
Mounting	DIN rail or wall mounting (additional kit needed), flat surface placement

### OPERATING ENVIRONMENT

Operating temperature	-40 °C to +75 °C
Operating humidity	10 % to 90 % non condensing
Ingress Protection Rating	IP30

# HARDWARE INSTALLATION

1. Connect your main internet router/modem to TSW200.
2. Connect end devices (ex. IP camera) to TSW200 1 to 8 port, which you want to power via Ethernet.
3. Connect 2 pin power plug to TSW200 to power up switch



## TECHNICAL INFORMATION

Technical specifications	
Input voltage range*	7 - 57 VDC
Max power consumption no PoE devices connected	5.5 W
Max PoE power budget at PSE**	240 W
Max Ethernet cable length	100 m
Bundled accessories specifications*	
No accessories	

\* PoE operates properly only when connected power supply outputs 44 V or higher voltage.  
 \*\* Order code dependent.

## WHAT'S IN THE BOX?

### STANDARD PACKAGE CONTAINS\*

- TSW200
- QSG (Quick Start Guide)
- Packaging box



\* For all standard order codes standard package contents are the same, except for PSU.

## STANDARD ORDER CODES

PRODUCT CODE	HS CODE	HTS CODE	PACKAGE CONTAINS
TSW200 000010	851762	8517.62.00	Standard package

For more information on all available packaging options – please contact us directly.



## MOUNTING OPTIONS

### DIN RAIL KIT

Parameter	Value
Mounting standard	35mm DIN Rail
Material	Low carbon steel
Weight	57g
Screws included	Philips Pan Head screw #6-32×3/16, 2pcs
Dimensions	82 mm x 46 mm x 20 mm
RoHS Compliant	V



#### DIN RAIL KIT

- DIN Rail adapter
- Philips Pan Head screw #6-32×3/16, 2pcs for RUT2xx/RUT9xx

#### ORDER CODE

PR5MEC00

#### HS CODE

73269098

#### HTS CODE

7326.90.98

For more information on all available packaging options – please contact us directly.

### COMPACT DIN RAIL KIT

Parameter	Value
Mounting standard	35mm DIN Rail
Material	ABS + PC plastic
Weight	6.5 g
Screws included	Philips Pan Head screw #6-32×3/16, 2pcs
Dimensions	70 mm x 25 mm x 14,5 mm
RoHS Compliant	V



#### DIN RAIL KIT

- Compact plastic DIN Rail adapter (70x25x14,5mm)
- Philips Pan Head screw #6-32×3/16, 2pcs

#### ORDER CODE

PR5MEC11

#### HS CODE

73269098

#### HTS CODE

7326.90.98

For more information on all available packaging options – please contact us directly.

### SURFACE MOUNTING KIT

Parameter	Value
Mounting standard	Flat surface mount
Material	ABS + PC plastic
Weight	2x5 g
Screws included	Philips Pan Head screw #6-32×3/16, 2pcs
Dimensions	25 mm x 48 mm x 7.5 mm
RoHS Compliant	V



#### DIN RAIL KIT

- Surface mounting kit
- Philips Pan Head screw #6-32×3/16, 2pcs

#### ORDER CODE

PR5MEC12

#### HS CODE

73269098

#### HTS CODE

7326.90.98

For more information on all available packaging options – please contact us directly.

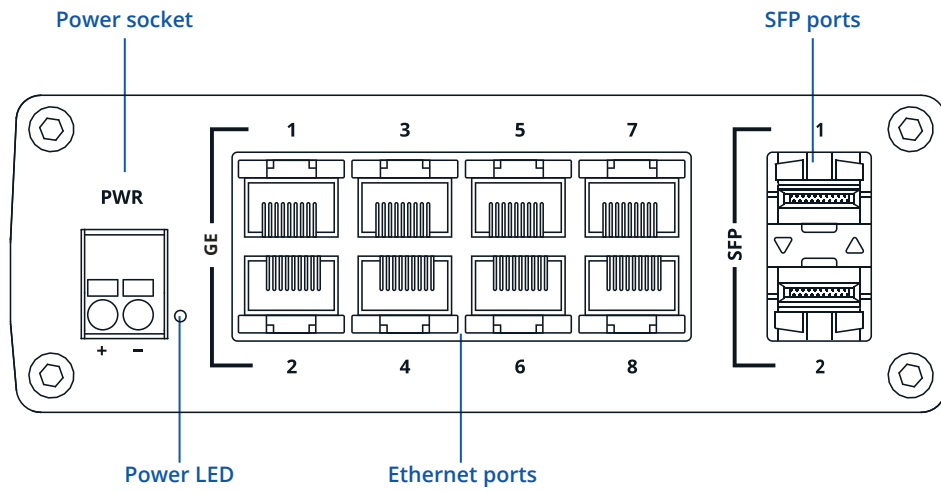


# TSW210

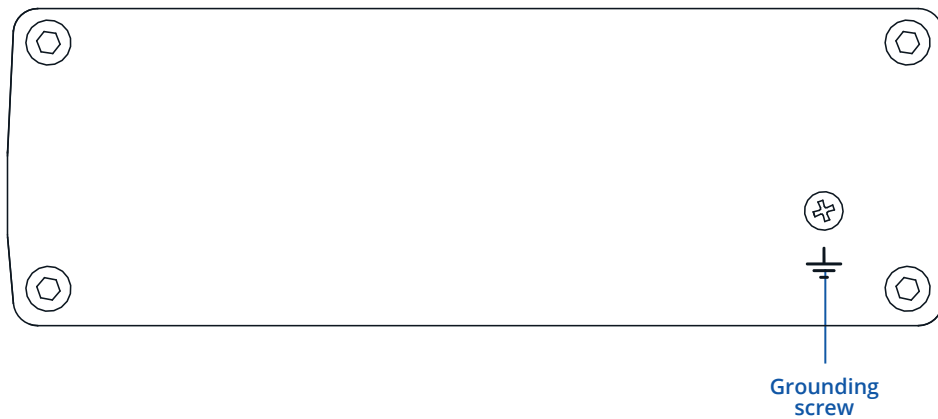


# HARDWARE

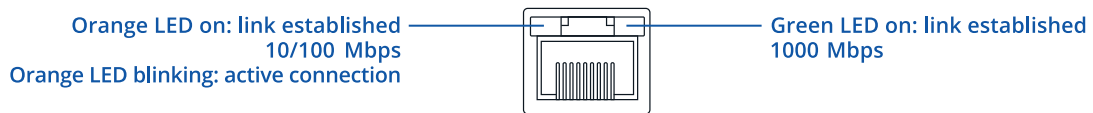
## FRONT VIEW



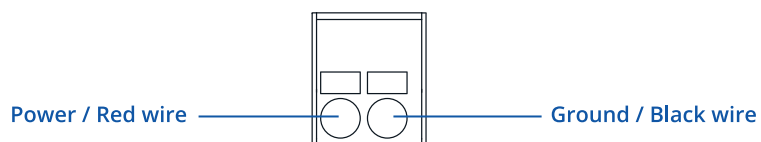
## BACK VIEW



## RJ45 LED MEANING



## POWER SOCKET PINOUT



# FEATURES

## INTERFACES

Ethernet	8 x RJ45 ports, 10/100/1000 Mbps, compliance with IEEE 802.3, IEEE 802.3u, 802.3az standards, supports auto MDI/MDIX crossover 2 x SFP ports
----------	--

## PERFORMANCE SPECIFICATIONS

Bandwidth (Non-blocking)	20 Gbps
Packet buffer	128 KB
MAC address table size	2K entries
Jumbo frame support	9216 bytes

## POWER

Connector	2 pin industrial DC power socket
Input voltage range	7-57 VDC
Power consumption (idle/max no PoE/max)	1,03 W / 3.71 W

## PHYSICAL INTERFACES (PORTS, LEDS)

Ethernet	8 x RJ45 ports, 10/100/1000 Mbps
Fiber	2 x SFP ports
Status LED's	1 x Power LED, 16 x LAN status LED's 2 x SFP status LED's
Power	1 x 2 pin industrial DC power socket
Ground	1 x Grounding screw

## PHYSICAL SPECIFICATION

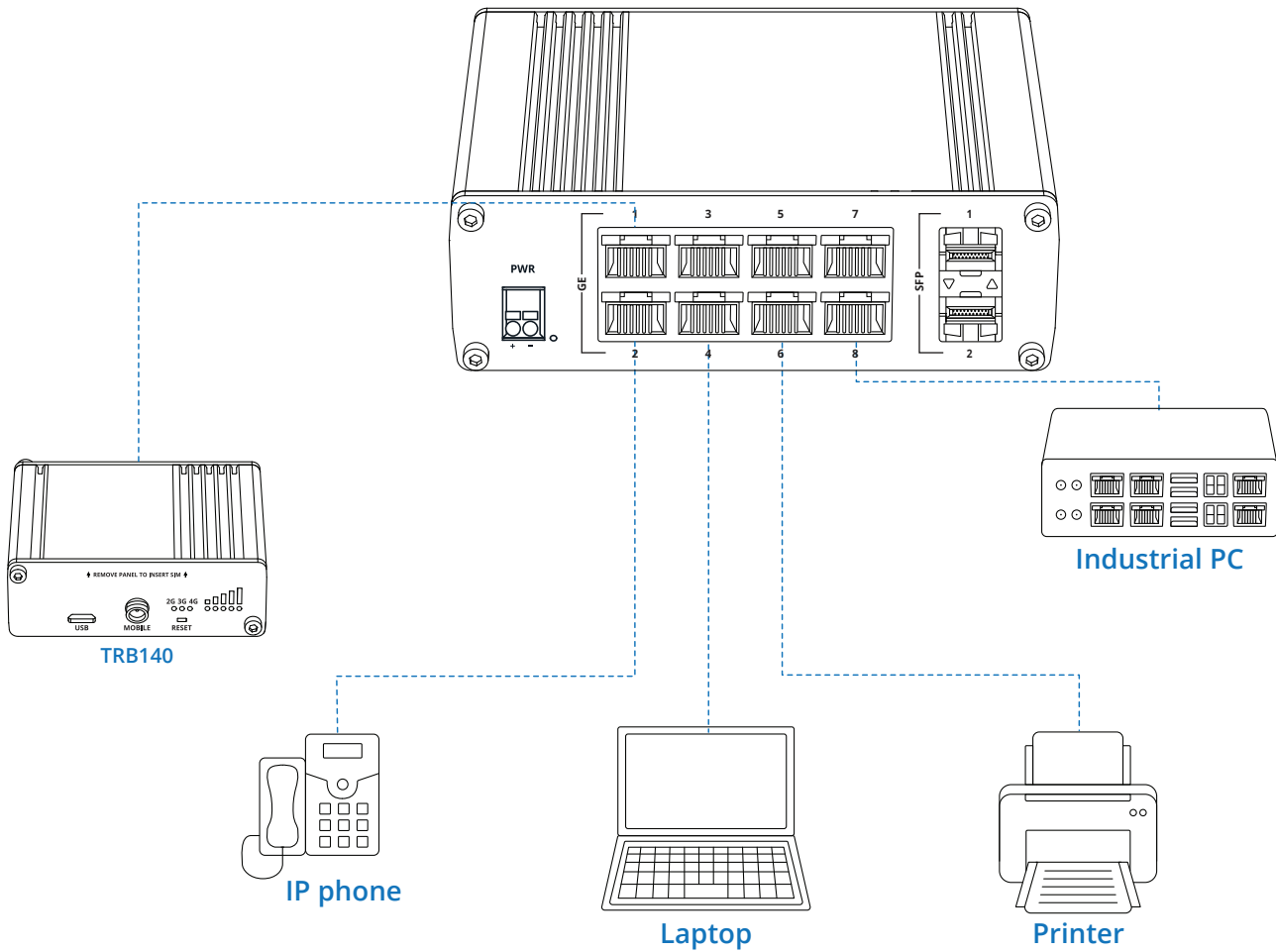
Casing material	Full aluminum housing
Dimensions (W x H x D)	132 x 44.2 x 95.1 mm
Weight	456 g
Mounting	DIN rail or wall mounting (additional kit needed), flat surface placement

## OPERATING ENVIRONMENT

Operating temperature	-40 °C to +75 °C
Operating humidity	10 % to 90 % non condensing
Ingress Protection Rating	IP30

# HARDWARE INSTALLATION

1. Connect your main internet router/modem to TSW210.
2. Connect end devices to TSW210 1 to 8 port.
3. Connect 2 pin power plug to TSW210 to power up switch.



## TECHNICAL INFORMATION

Technical specifications	
Input voltage range*	7 - 57 VDC
Max Ethernet cable length	100 m
Bundled accessories specifications*	
No accessories	

\*\* Order code dependent.

## WHAT'S IN THE BOX?

### STANDARD PACKAGE CONTAINS\*

- TSW210
- QSG (Quick Start Guide)
- Packaging box



\* For all standard order codes standard package contents are the same, except for PSU.

## STANDARD ORDER CODES

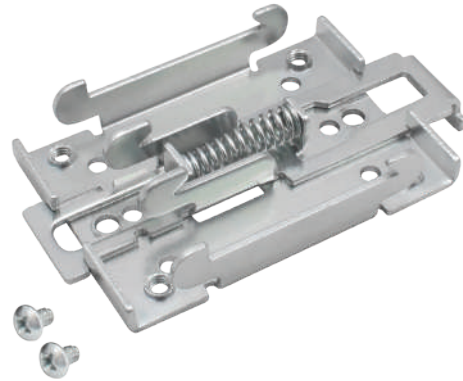
PRODUCT CODE	HS CODE	HTS CODE	PACKAGE CONTAINS
TSW210 000000	851762	8517.62.00	Standard package

For more information on all available packaging options – please contact us directly.

## MOUNTING OPTIONS

### DIN RAIL KIT

Parameter	Value
Mounting standard	35mm DIN Rail
Material	Low carbon steel
Weight	57g
Screws included	Philips Pan Head screw #6-32×3/16, 2pcs
Dimensions	82 mm x 46 mm x 20 mm
RoHS Compliant	V



#### DIN RAIL KIT

- DIN Rail adapter
- Philips Pan Head screw #6-32×3/16, 2pcs for RUT2xx/RUT9xx

#### ORDER CODE

PR5MEC00

#### HS CODE

73269098

#### HTS CODE

7326.90.98

For more information on all available packaging options – please contact us directly.

### COMPACT DIN RAIL KIT

Parameter	Value
Mounting standard	35mm DIN Rail
Material	ABS + PC plastic
Weight	6.5 g
Screws included	Philips Pan Head screw #6-32×3/16, 2pcs
Dimensions	70 mm x 25 mm x 14,5 mm
RoHS Compliant	V



#### DIN RAIL KIT

- Compact plastic DIN Rail adapter (70x25x14,5mm)
- Philips Pan Head screw #6-32×3/16, 2pcs

#### ORDER CODE

PR5MEC11

#### HS CODE

73269098

#### HTS CODE

7326.90.98

For more information on all available packaging options – please contact us directly.

### SURFACE MOUNTING KIT

Parameter	Value
Mounting standard	Flat surface mount
Material	ABS + PC plastic
Weight	2x5 g
Screws included	Philips Pan Head screw #6-32×3/16, 2pcs
Dimensions	25 mm x 48 mm x 7.5 mm
RoHS Compliant	V



#### DIN RAIL KIT

- Surface mounting kit
- Philips Pan Head screw #6-32×3/16, 2pcs

#### ORDER CODE

PR5MEC12

#### HS CODE

73269098

#### HTS CODE

7326.90.98

For more information on all available packaging options – please contact us directly.