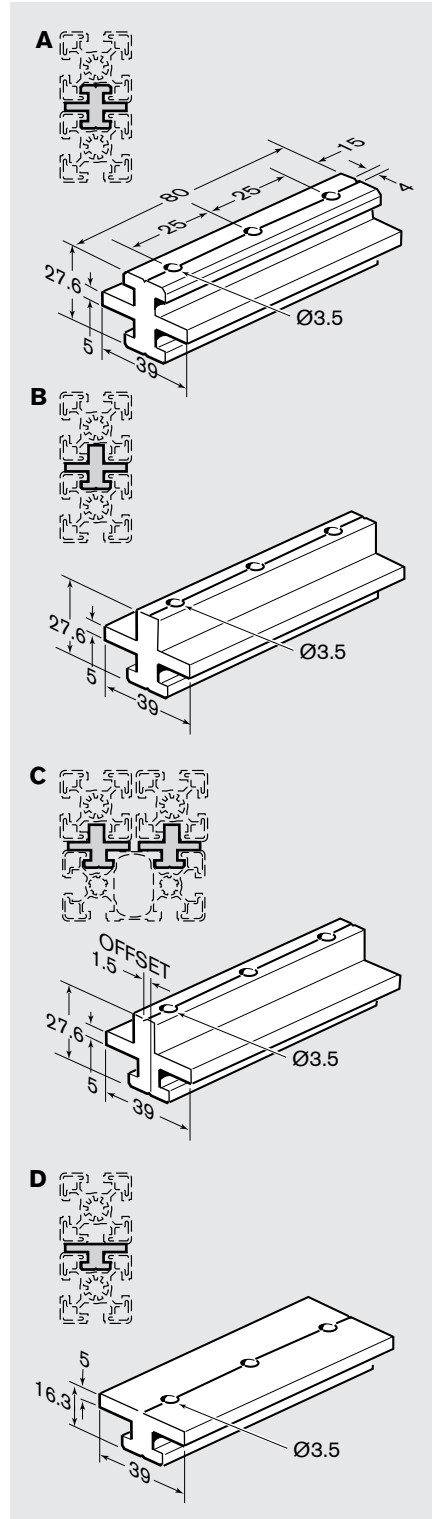


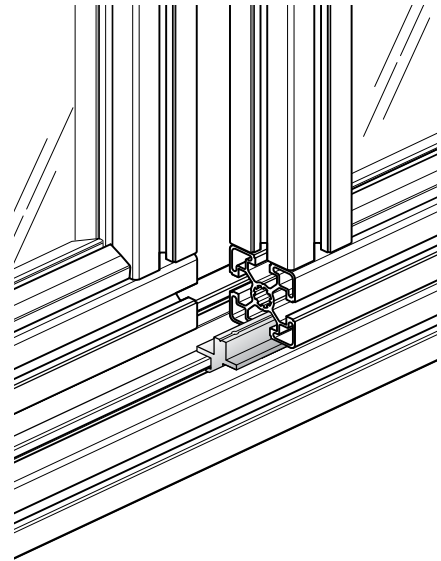
Section 13: EcoSlide™ Linear Sliding Carriages and Bearings


Slide Bearings—10mm 



Features:

- Economical, low-wear slider bearings suitable for drawers and sliding or lifting doors
- Ideal applications where two profiles need to be moved manually along the same plane
- Offset slider D allows for multiple sliding elements, such as overlapping doors or windows
- Bearings made with Delrin® for low friction and long service life
- 10mm bearings are predrilled with 3.5mm diameter mounting holes (holes are NOT tapped)



| Description | Lot Size | Part Number |
|-------------------------------------|----------|--|
| A 10mm-to-10mm slide bearing | 1 | 3 842 523 205 |
| B 10mm slide bearing | 1 | 3 842 523 206 |
| C 10mm slide bearing, offset | 1 | 3 842 523 207 |
| D 10mm slide bearing, flat | 1 | 3 842 530 329  |

Assembly Note

$$\frac{P_V \times A}{S} = \text{Expected Life} / \text{Load for Delrin bearings}$$

$P_V = 3000$ (Delrin)
 $A = \text{Surface area of bearing in mm}^2$
 $S = \text{Speed in millimeters per minute}$