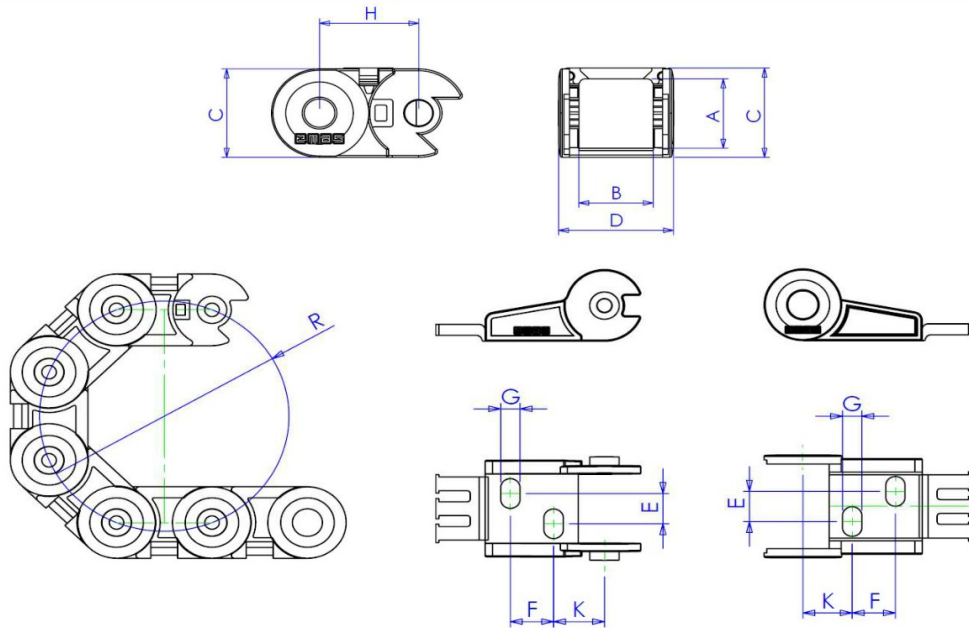


**DOCUMENTATION TECHNIQUE : Chaîne porte-câble
20x25mm – CPC_2025_40**



CPC_2025_EX

CPC_2025_IN

A INNER HEIGHT	B INNER WIDTH	C OUTER HEIGHT	D OUTER WIDTH	R BENDING RADIUS	E ASSEMBLY	F ASSEMBLY	G ASSEMBLY HOLE DIAMETER	H PITCH	K ASSEMBLY HOLE DISTANCE
20	25	26	37	40	11	14.5	6.2	32	17

PRODUCT EXPLANATION

Body:

Material : Nylon6 %15CE

Support movement distance Lg maks.: 10,0 m

Vertical movement distance Lv maks.: 2,0 m

Operating Temperature : -30,0 120,0 °C