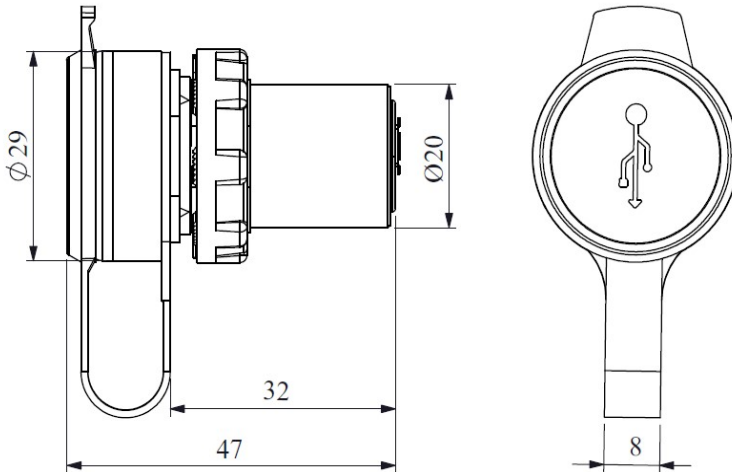




Technical Specifications : BUSB 3.0



Order Code:

BUSB 3.0

Technical Information :

Body:

Plastic body.

Combines two USB 3.0 male cables into a single, longer cable

'Quick solution for inadequate cable length without having to buy additional expensive cables

Standards:

- TS EN 60947 -5-1



USB 3.0 A Female to A Female Adaptör	
Connector Type	USB-A
Specification	USB 3.0/USB 2.0 uyumlu -compatible
Contact resistance	50 mOhm
Insulation resistance	100 Mohm min
Dielectric Withstand Voltage	100 VAC
Mating Force	35N(max)
Unmating Force	10N(min)
Durability	1500
Operation Temperature	-20/+80